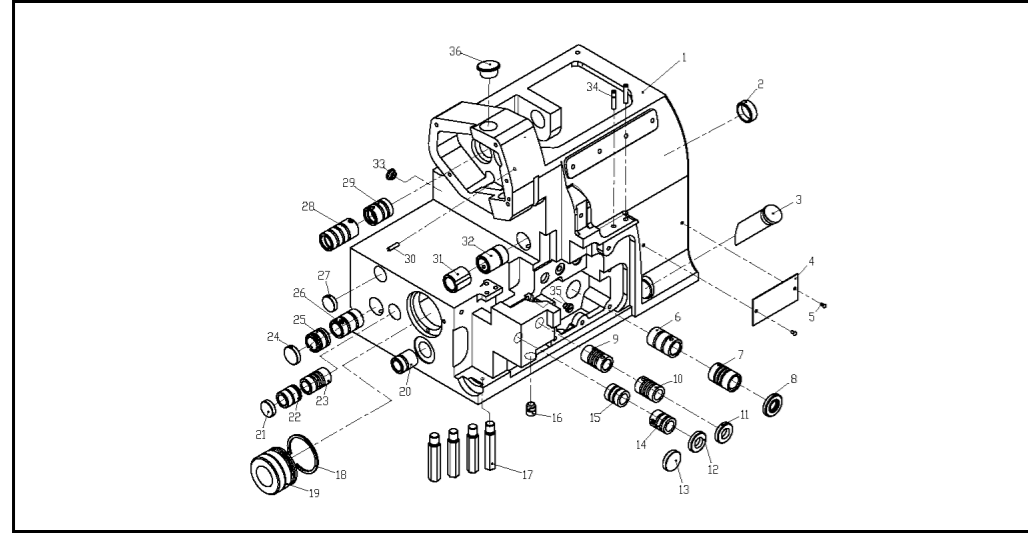


# JACK

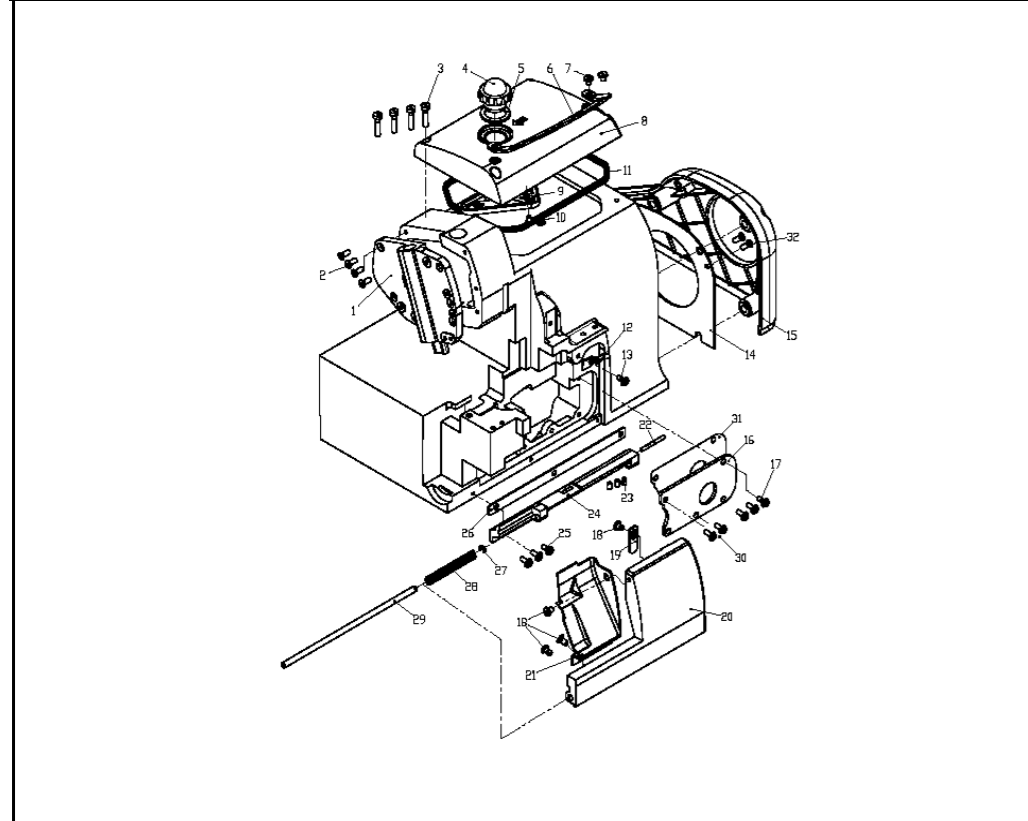
快速服务 100%

JK-800



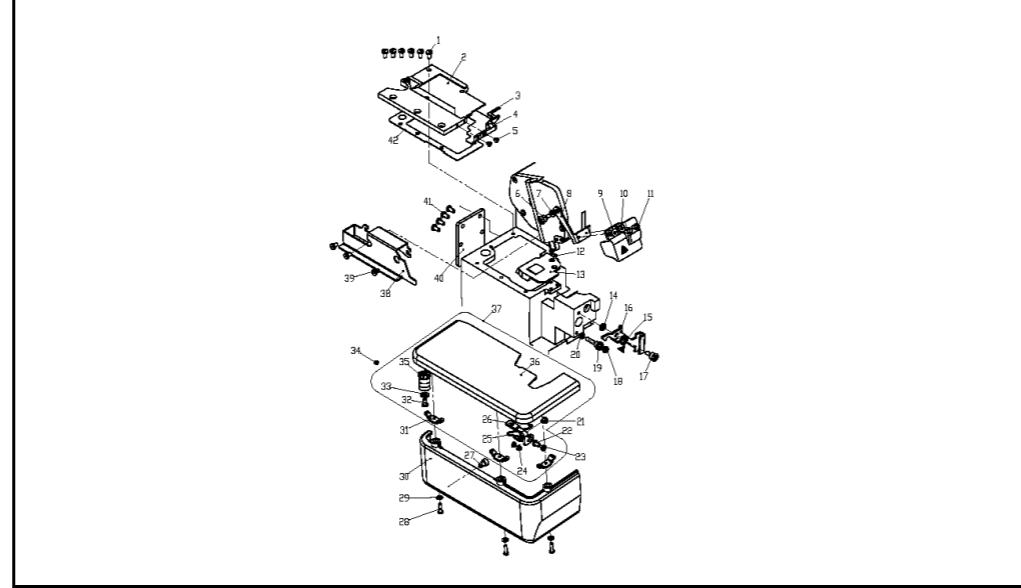
### 一、机壳部件 Machine Bed Frame

序号 NO.	公司件号 Part No.	名称	Description	数量 (Number)		
				三线 three-thread	四线 four-thread	五线 five-thread
1	302531	机壳	Machine Bed Complete	1	1	1
2	20122005	油封	Oil seal	1	1	1
3	20111010	油标	Oil sight	1	1	1
4	20137001	型号牌	Machine model plate	1	1	1
5	R03001	铆钉	Rivet	2	2	2
6	20103039	上弯针轴后套筒	Sleeve	1	1	1
7	20703001	上弯针轴前套筒	Sleeve	1	1	1
8	20122025	上弯针轴油封	Oil seal	1	1	1
9	20103038	下弯针轴后套筒	Sleeve	1	1	1
10	20103037	下弯针轴前套筒	Sleeve	1	1	1
11	20622019	下弯针轴油封	Oil seal	1	1	1
12	20622019	缝线弯针轴油封	Oil seal	0	0	1
13	20122040	缝线弯针轴油封	Oil seal	1	1	0
14	20103013	前弯针轴前套筒	Sleeve	0	0	1
15	20103014	前弯针轴后套筒	Sleeve	0	0	1
16	2012603100	滤油筛组件	Oil filter pin component	1	1	1
17	20130006	螺钉SM5/16"×24	Screw	4	4	4
18	20129001	卡簧	Ring	1	1	1
19	20103003	主轴左套筒	Sleeve	1	1	1
20	20103017	差动轴套筒	Sleeve	1	1	1
21	20122028	油封	Oil seal	0	0	1
21	20122008	油封	Oil seal	1	1	0
22	20103016	横轴左套筒	Sleeve	0	0	1
23	20103038	横轴右套筒	Sleeve	0	0	1
24	20122009	送布轴油封	Oil seal	1	1	1
25	20103050	送布轴左套筒	Sleeve	1	1	1
26	20103047	送布轴右套筒	Sleeve	1	1	1
27	20122008	油封	Oil seal	1	1	1
28	20703002	上轴左套筒	Sleeve	1	1	1
29	20703001	上轴右套筒	Sleeve	1	1	1
30	P03042	圆柱销φ5×22	Pin	1	1	1
31	20103049	上刀轴左套筒	Sleeve	1	1	1
32	20103024	上刀轴右套筒	Sleeve	1	1	1
33	20122003	油封	Oil seal	1	1	1
34	20113013	过线管	Pipe	2	2	2
35	201S11039	螺钉SM15/64"×28	Pipe	1	1	1
36	20722004	油塞	Oil seal	1	1	1



### 二、罩壳部件 (1) Cover Assemblies (1)

序号 NO.	公司件号 Part No.	名称	Description	数量 (Number)		
				三线 three-thread	四线 four-thread	五线 five-thread
1	302036	侧盖	Side Cover	1	1	1
2	207S17005	螺钉M4×10	Screw	4	4	4
3	201S11025	螺钉	Screw	4	4	4
4	20111005	油标盖	Oil sight window	1	1	1
5	20122018	油标盖垫	Oil level gauge washer	1	1	1
6	20112013	过线架	Thread guide supporter	1	1	1
7	206S11005	螺钉	Screw	2	2	2
8	302529	上盖	Upper cover	1	1	1
8	302638	上盖▲	Upper cover	1	1	1
9	20112103	接油斗	Oil guard	1	1	1
10	S01035	螺钉M4×7.5	Screw	3	3	3
11	20122202	上盖密封垫	Upper cover washer	1	1	1
12	20112020	前罩挡板簧	Front cover snap guard	1	1	1
13	201S11014	螺钉SM11/64"×40	Screw	1	1	1
14	20112091	机壳右盖板	Right Cover	1	1	1
15	20111054	皮带轮罩	Belt Cover Assembly	1	1	1
15	20111060	皮带轮罩(无字)	Belt Cover Assembly	1	1	1
16	20112012	上弯针密封板	Upper looper sealing plate	1	1	1
17	201S11016	螺钉SM11/64"×40	Screw	2	2	2
18	201S11009	螺钉SM9/64"×40	Screw	4	4	4
19	20112017	前罩簧片	Front spring	1	1	1
20	301642	前罩	Front cover	1	1	1
21	20112100	前罩挡板	Front cover guard	1	1	0
21	20112101	前罩挡板	Front cover guard	0	0	1
22	20126003	前罩短销	Pin	1	1	1
23	201S15001	螺钉SM9/64"×40	Screw	3	3	3
24	20101007	前罩架	Front cover hinge	1	1	1
25	201S11038	螺钉SM9/64"×40	Screw	3	3	3
26	20122017	前罩架垫	Front cover hinge washer	1	1	1
27	H05002	卡簧	Snap spring	1	1	1
28	20127005	前罩架簧	Front cover hinge spring	1	1	1
29	20126004	前罩销	Hinge Pin	1	1	1
30	201S11018	螺钉SM11/64"×40	Screw	2	2	2
31	20122015	上弯针密封板垫	Upper looper sealing plate washer	1	1	1
32	S01010	螺钉M4×8	Screw	2	2	2

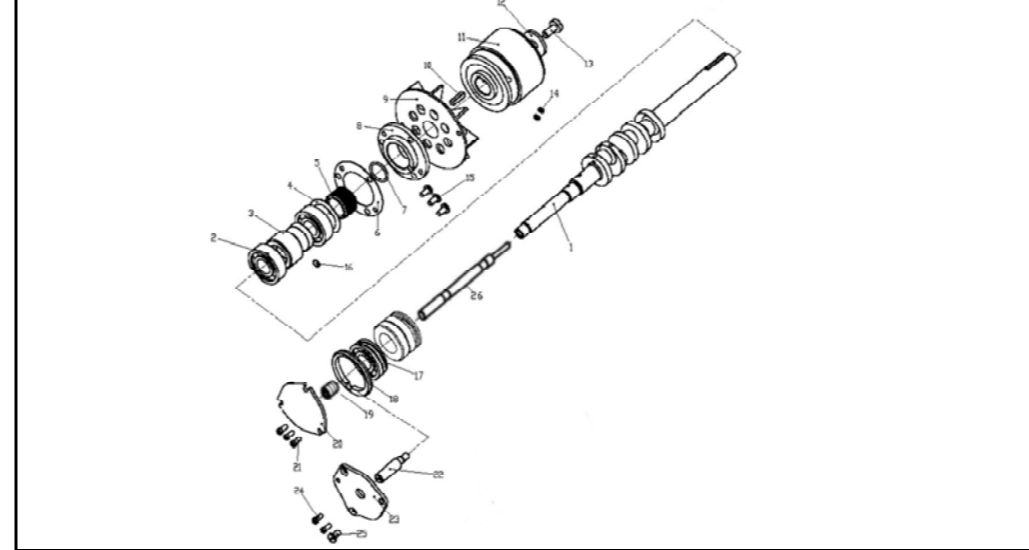


### 三、罩壳部件 (2) Cover Assemblies (2)

序号 NO.	公司件号 Part No.	名称	Description	数量 (Number)		
				三线 three-thread	四线 four-thread	五线 five-thread
1	201S11016	螺钉	Screw	5	5	5
2	20101004	盖板(无字)	Cover	1	1	1
3	20122024	挡板垫	Plate washer	1	1	1
4	20101019	挡板	Plate	1	1	1
5	201S12009	螺钉SM9/64"×40	Screw	2	2	2
6	206S20004	螺钉M4×3.7	Screw	1	1	1
7	20128015	波形垫圈	Washer	1	1	1
8	20112098	托架	Bracket	1	1	1
9	20711005	防护罩	Eye guide	1	1	0
9	20711019	防护罩	Eye guide	0	0	1
10	S01034	螺钉M3×5.7	Screw	2	2	2
11	W01011	垫片	Washer	2	2	2
12	201S17004	螺钉SM1/8"×44	Screw	2	2	2
13	20111003	挡油罩	Oil baffle cover	1	1	1
14	20128030	缝台盖板手垫圈	Washer	2	2	2
15	20127004	板手弹簧	Cloth Plate cover spring	1	1	1
16	20112011	缝台板手	Cloth Plate slider cover	1	1	1
17	201S20003	板手螺钉	Screw	1	1	1
18	20122011	胶套	Rubber bushing	1	1	1
19	201S30011	缝台盖防尘螺钉	Screw	1	1	1

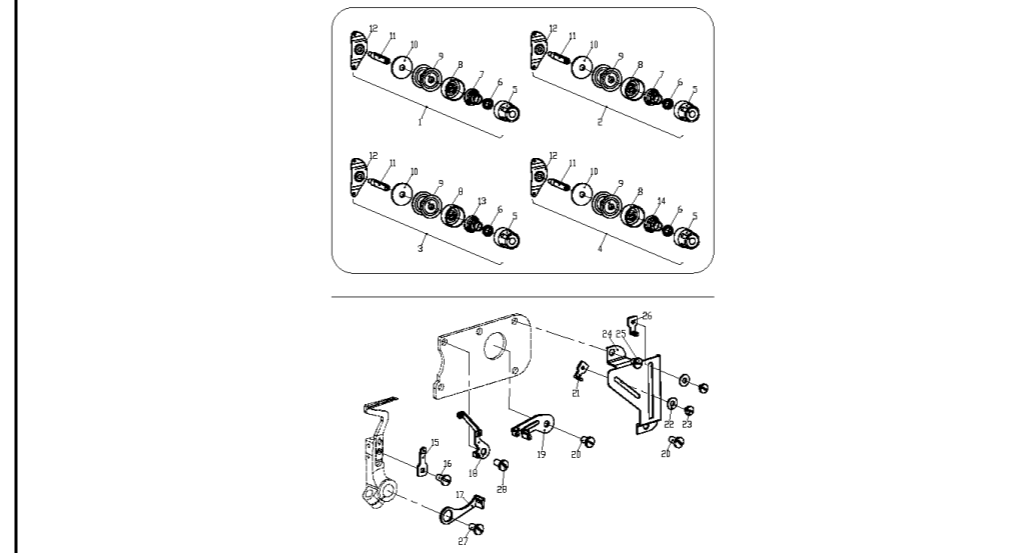
零件手册  
Parts Manual

20	201S16003	螺母	Nut	1	1	1
21	20122012	防震垫	Rubber bushing	1	1	1
22	201S30007	螺钉SM9/64"×40	Screw	1	1	1
23	201S16001	螺母	Nut	1	1	1
24	201S11006	螺钉	Screw	2	2	2
25	20127003	缝台盖开启弹簧	Spring	1	1	1
26	20112009	大盖头垫	Pedestal	1	1	1
27	20122013	胶套	Rubber bushing	1	1	1
28	201S11037	螺钉SM9/64"×40	Screw	3	3	3
29	20128019	缝台罩壳螺钉垫片	Washer	3	3	3
30	20111206	缝台下罩壳	Cloth palte lower Plate	1	1	1
31	20112008	罩壳连接板	Casing connection plate	3	3	3
32	201S20010	螺钉M4×5	Screw	1	1	1
33	W02004	弹簧垫圈	Washer	1	1	1
34	201S14002	缝台偏心轴螺钉	Screw	1	1	1
35	20103065	缝台偏心套筒	Sleeve	1	1	1
36	20112006	缝台盖板	Bed cover plate	1	1	1
37	2011208100	缝台盖板组件	Cloth Plate	1	1	1
38	20112202	缝料挡板	Fabric Guide	1	1	1
39	S01002	螺钉M4×6.5	Screw	3	3	3
40	20112002	后罩板	Cover Plate	1	1	1
41	201S11016	螺钉SM11/64"×40	Screw	4	4	4
42	20122007	盖板垫	Cover Washer	1	1	1



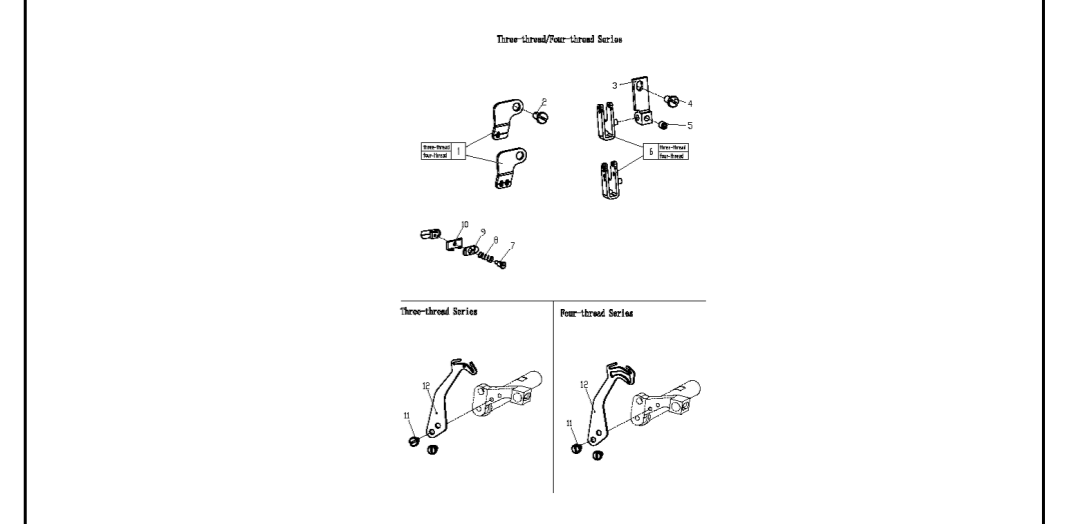
### 四、主轴部分 Main Shaft Assemblies

序号 NO.	公司件号 Part No.	名称	Description	数量 (Number)		
				三线 three-thread	四线 four-thread	五线 five-thread
1	20102205	主轴	Main shaft	1	0	0
1	20102204	主轴(厚料)	Main shaft	1	1	1
2	B03001	轴承	Bearing	2	2	2
3	20125001	油泵蜗杆	Oil Pump worm	1	1	1
4	20128002	主轴弹簧垫圈	Main shaft spring washer	1	1	1
5	20103067	主轴中轴套	Main shaft bysgub asm	1	1	1
6	20122019	滚针轴承制动垫	Washer	1	1	1
7	001003	O型圈16X1.8	Seal ring	1	1	1
8	20101008	轴承制动盖	Rear shaft spring cover	1	1	1
8	20101074	轴承制动盖(D)	Rear shaft spring cover	1	1	1
9	20111008	冷却风扇	Wheel	1	1	1
10	20101012	皮带轮方键	Key	1	1	1
11	300076	皮带轮	Pulley	1	1	1
12	20128024	垫圈	Washer	1	1	1
13	201S11034	螺钉	Screw	1	1	1
14	201S15004	螺钉	Screw	2	2	2
15	201S11016	螺钉	Screw	3	3	3
16	201S14002	螺钉	Screw	1	1	1
17	20124003	轴承	Bearing	1	1	1
18	20122046	轴承盖油封	Washer	1	1	1
19	201S11047	堵油螺钉	Screw	1	1	0
20	20112106	三四线左盖板	Cover	1	1	0
21	S01010	螺钉M4×8	Screw	3	3	0
22	20126024	凸轮轴	Bulgy pulley shaft	0	0	1
23	20112107	五线左盖板	Cover	0	0	1
24	207S17005	螺钉M4×8	Screw	0	0	2
25	S01010	螺钉M4×8	Screw	0	0	1
26	堵油销	20726002	Pin	1	1	1



### 五、过线部件 (1) Thread Guide and Thread Takeup (1)

序号 NO.	公司件号 Part No.	名称	Description	数量 (Number)		
				三线 three-thread	四线 four-thread	五线 five-thread
1	400662	夹线器组件(红)	Tension Spring Assembly (Yellow)	0	1	1
2	400661	夹线器组件(黄)	Tension Spring Assembly (Red)	1	1	1
3	400663	夹线器组件(蓝)	Tension Spring Assembly (Blue)	1	1	1
4	400668	夹线器组件(绿)	Tension Spring Assembly (Green)	1	1	1
5	20711034	调压螺母	Knob	3	4	4
6	30111006	调压止动套	Ratchet	3	4	4
7	20127018	调压簧(强)	Thread tension spring	2	2	2
8	30111005	调压止动盖	Cup	3	4	4
9	20112057	夹线片	Tension Disc	6	8	8
10	20623008	夹线片垫	Felt	3	4	4
11	201S30016	夹线螺钉	Screw Stud	3	4	4
12	20113002	过线板	Thread guide	3	4	4
13	20127020	调压簧(弱)	Thread tension spring	1	1	1
14	20127019	调压簧(中)	Thread tension spring	1	1	1
15	20113016	下弯针过线	Lower looper thread guide	1	1	1
16	206S11002	螺钉SM9/64"×40	Lower looper	1	1	1
17	20113032	上弯针轴过线板	Thread guide	1	1	1
18	20113033	上弯针三孔过线	Lower looper3-thread guide	1	1	1
19	20113034	两眼过线板	Thread guide	1	1	1
20	201S11018	螺钉SM11/64"×40	Screw	2	2	2
21	20113035	上弯针过线	Upper looper thread guard	1	1	1
22	20128020	弯针过线垫圈	Thread guide washer	2	2	2
23	201S11006	螺钉SM1/8"×44	Thread guide screw	2	2	2
24	20112027	调线刻度板	Thread amount regulating plate	1	1	1
25	201S11014	螺钉SM11/64"×40	Screw	1	1	1
26	20113015	下弯针过线	Lower looper thread guide	1	1	1
27	201S11016	螺钉	Screw	1	1	1
28	201S11018	螺钉	Screw	1	1	1

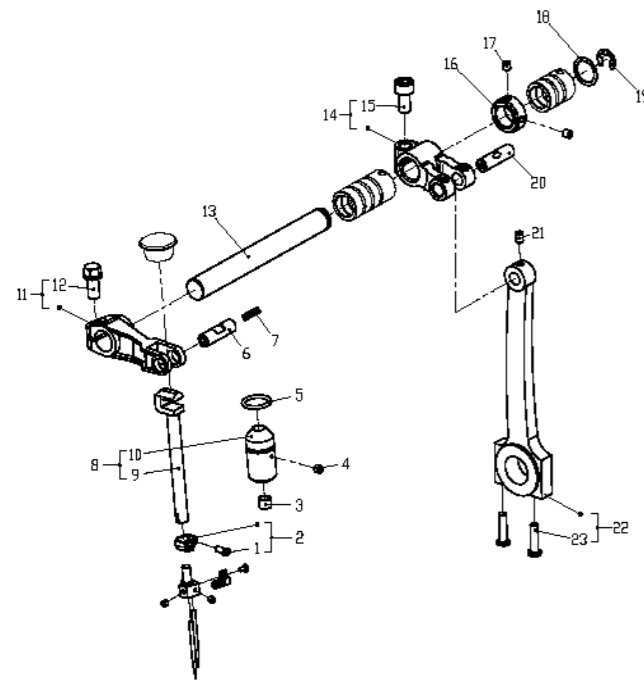


### 六、过线部件 (2) Thread Guide and Thread Takeup (2)

序号 NO.	公司件号 Part No.	名称	Description	数量 (Number)		
				三线 three-thread	四线 four-thread	五线 five-thread
1	20113208	过线	Thread Guide	1	0	0
1	20113207	过线	Thread Guide	0	1	0
2	207S11019	螺钉M4×7.5	Screw	1	1	0
3	20701010	托架	Bracket	1	1	0
4	207S11019	螺钉M4×7.5	Screw	1	1	0
5	S10007	螺钉M4×4	Screw	1	1	0
6	20713002	过线	Thread Guide	1	0	0

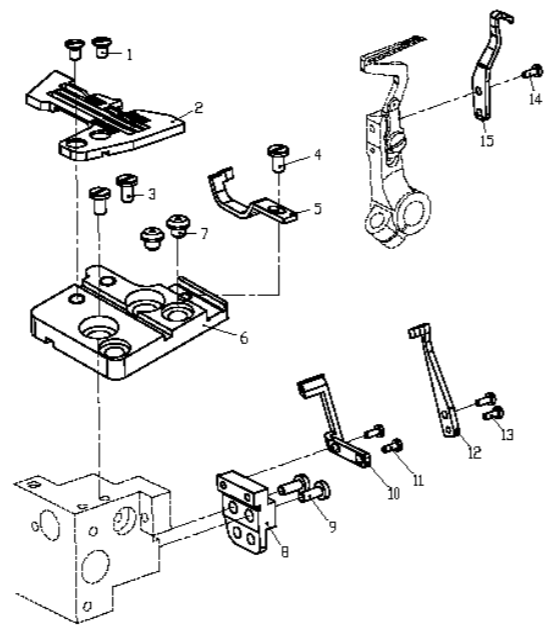
七、过线部件 (3) Thread Guide and Thread Takeup (3)

序号 NO.	公司件号 Part NO.	名称	Description	数量 (Number)		
				三线 three-thread	四线 four-thread	五线 five-thread
1	20701029	托架	Bracket	0	0	1
2	20713021	过线	Thread Guide	0	0	1
3	20713022	过线	Thread Guide	0	0	1
3	20713050	过线 (56)	Thread Guide	0	0	1
4	S01031	螺钉M4×4.7	Screw	0	0	3
5	20713023	过线	Thread Guide	0	0	1
5	20713051	过线 (56)	Thread Guide	0	0	1
6	20113205	挑线杆	Thread Takeup	0	0	1
6	20113206	挑线杆 (56)	Thread Takeup	0	0	1
7	S10007	螺钉M4×4	Screw	0	0	2
8	20713020	过线	Thread Guide	0	0	1
9	207S11019	螺钉M4×7.5	Screw	0	0	2
10	20701030	托架 (56)	Bracket	0	0	1
11	201S11009	螺钉	Screw	0	0	2



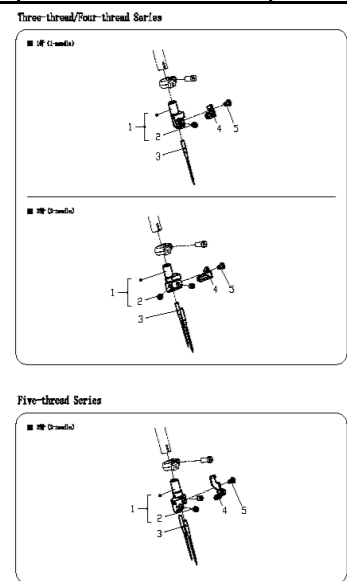
九、针杆部件 (2) Needle Drive Mechanism (2)

序号 NO.	公司件号 Part NO.	名称	Description	数量 (Number)		
				三线 three-thread	四线 four-thread	五线 five-thread
1	****	针夹头	Needle Holder Assembly	0	1	0
1	****	针夹头	Needle Holder Assembly	1	0	0
1	****	针夹头 (35)	Needle Holder Assembly	0	0	1
1	****	针夹头 (55)	Needle Holder Assembly	0	0	1
1	****	针夹头 (56)	Needle Holder Assembly	0	0	1
2	S10026	螺钉M3×3	Screw	2	2	2
3	****	机针 (#11)	Needle	0	2	0
3	****	机针 (#9)	Needle	1	0	0
3	****	机针 (#14)	Needle	0	0	2
3	****	机针 (#19)	Needle	0	0	2
4	20713018	过线	Thread Guide	0	1	0
4	20713038	过线	Thread Guide	1	0	0
4	20713017	过线	Thread Guide	0	0	1
5	207S11024	螺钉M2×3	Screw	1	1	1



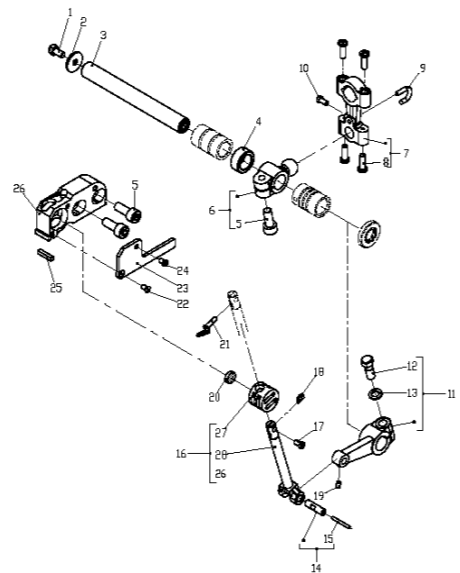
八、针杆部件 (1) Needle Drive Mechanism (1)

序号 NO.	公司件号 Part NO.	名称	Description	数量 (Number)		
				三线 three-thread	四线 four-thread	五线 five-thread
1	207S11023	螺钉M3×6	Screw	1	1	1
2	20708005	挡圈	Ring	1	1	1
3	20723003	毛毡	Oil Felt	1	1	1
4	207S14008	螺钉M4×5	Screw	1	1	1
5	001026	O型圈11.5×1.5	O Ring	1	1	1
6	20726003	曲柄销	Pin	1	1	1
7	20523005	油线	Oil wick	0.25	0.25	0.25
8	2060303100	针杆曲柄组件	Lever	1	1	1
9	20702003	针杆	Needle Bar	1	1	1
10	20603030	针杆套	Bushing	1	1	1
11	20704002	针杆曲柄	Lever	1	1	1
12	207S12002	螺钉M6×0.75	Screw	1	1	1
13	20702002	上轴	Shaft	1	1	1
14	20104201	上轴曲柄	Crank	1	0	0
14	20104204	上轴曲柄 (厚料)	Crank	0	1	1
15	S05017	螺钉M6×0.75	Screw	1	1	1
16	20708004	上轴挡圈	Collar	1	1	1
17	S10007	螺钉M4×4	Screw	2	2	2
18	20628014	垫片	Washer	1	1	1
19	H05008	挡圈	Ring	1	1	1
20	20126025	曲柄销	Pin	1	1	1
21	S10008	螺钉M4×6	Screw	1	1	1
22	20105203	针杆连杆	Connection	1	1	1
23	201S20015	螺钉M4×16	Screw	2	2	2



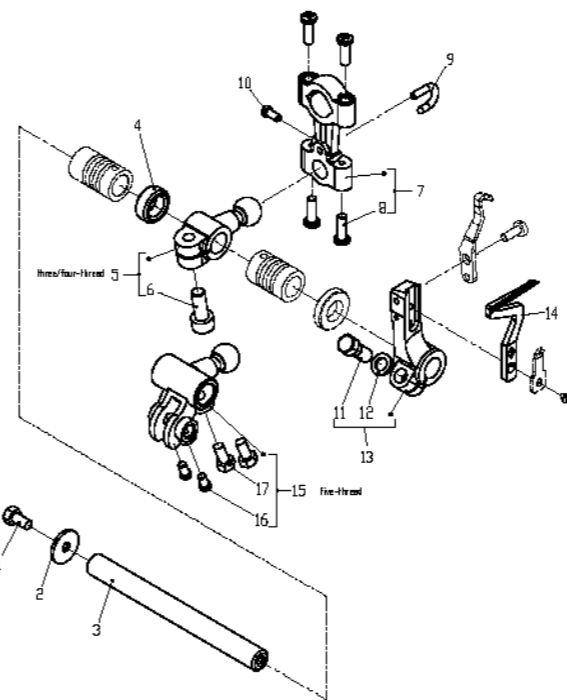
十、针杆部件 (3) Needle Drive Mechanism (3)

序号 NO.	公司件号 Part NO.	名称	Description	数量 (Number)		
				三线 three-thread	四线 four-thread	五线 five-thread
1	201S17005	螺钉SM11/64"×40	Throat screw	2	2	2
2	****	针板	Needle plate	1	0	0
2	****	针板 (16S)	Needle plate	1	0	0
2	****	针板	Needle plate	0	1	0
2	****	针板 (35)	Needle plate	0	0	1
2	****	针板 (55)	Needle plate	0	0	1
2	****	针板 (56)	Needle plate	0	0	1
3	201S11029	螺钉SM11/64"×40	Throat plate bracket screw	2	2	2
4	201S11008	螺钉SM11/64"×40	Front needle snap screw	1	1	1
5	****	前护针档	Front needle guard	1	1	0
5	****	前护针档	Front needle guard	0	0	1
6	20101016	针板座	Throat plate bracket	1	1	1
7	20122011	胶套	Rubber bushing	2	2	2
8	20101017	护针档座	Needle guard bracket	1	1	0
8	20101018	护针档座	Needle guard bracket	0	0	1
9	201S11022	螺钉	screw	2	2	2
10	****	护针II	Needle guard II	0	0	1
11	201S11003	螺钉	screw	0	0	2
12	****	护针档I	Needle guard I	0	0	1
13	201S11003	螺钉SM3/32"×56	screw	0	0	2
14	201S12009	螺钉SM9/64"×40	screw	1	1	1
15	****	护针档	Teat needle guard	1	1	1



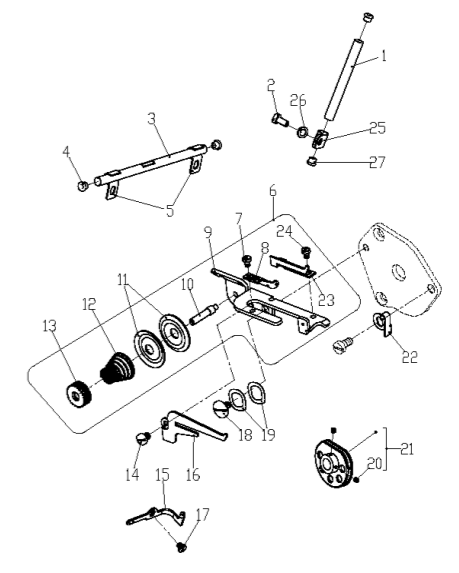
十一、上弯针部分 Upper Looper Assemblies

序号 NO.	公司件号 Part NO.	名称	Description	数量 (Number)		
				三线 three-thread	四线 four-thread	五线 five-thread
1	201S12005	螺钉SM11/64"×40	Upper looper shaft screw	1	1	1
2	20128007	大垫圈	Big washer	1	1	1
3	20102006	上弯针轴	Upper looper shaft	1	1	1
4	20128005	厚垫圈	Thickness washer	1	1	1
5	201S13003	螺钉SM15/64"×28	Screw	3	3	3
6	400337	上弯针摆动曲柄	Upper looper crank bearing	0	1	1
6	400457	上弯针摆动曲柄	Upper looper crank bearing	1	0	0
7	400017	弯针连杆	Looper link	1	1	1
8	201S20015	连杆螺钉	Shaft screw	4	4	4
9	20126010	弯针连杆摆架	Looper link holder	1	1	1
10	201S11035	螺钉SM1/8"×44	Screw	1	1	1
11	20104004	上弯针轴曲柄	Upper looper shaft crank	1	1	1
12	201S12007	螺钉SM15/64"×28	Screw	1	1	1
13	20128021	垫圈	Washer	1	1	1
14	20126011	插杆销	Connecting rod shaft pin	1	1	1
15	20123021	油线	Oil wick	1	1	1
16	2010121000	上弯针滑杆组件	Upper looper slide crank component	1	1	1
17	201S11007	螺钉SM9/64"×40	Screw	1	1	1
18	20112023	插杆垫片	Washer	1	1	1
19	S10005	曲柄顶丝M3×3	Link pin set screw	1	1	1
20	20123009	油毡	Oil felt	1	1	1
21	****	上弯针	Looper	1	1	1
21	****	上弯针	Looper	1	1	1
22	201S17006	螺钉SM1/8"×44	Screw	1	1	1
23	20112026	导架座挡板	Thread holder snap plate	1	1	1
24	201S11005	螺钉SM1/8"×44	Screw	1	1	1
25	20122026	油封垫	Oil wick	1	1	1
26	20101206	上弯针轴导架座	Upper looper shaft slide bar bracket	1	1	1
27	20109001	上弯针轴导架座	Upper looper slide block	1	1	1
28	20104005	上弯针插杆	Upper looper shaft bar	1	1	1



十二、下弯针部分 Lower Looper Assemblies

序号 NO.	公司件号 Part NO.	名称	Description	数量 (Number)		
				三线 three-thread	四线 four-thread	五线 five-thread
1	201S12005	下弯针轴螺钉	Low looper shaft screw	1	1	1
2	20128007	下弯针轴垫圈	Lower looper shaft washer	1	1	1
3	20102007	下弯针轴	Lower looper shaft	1	1	0
3	20102008	下弯针轴	Lower looper shaft	0	0	1
4	20128009	厚垫圈	Washer	1	1	0
5	400223	下弯针摆动曲柄	Lower looper crank	1	1	0
6	201S13003	螺钉SM15/64"×28	Screw	1	1	1
7	400017	弯针连杆	Looper link	1	1	1
8	201S20015	连杆螺钉	Shaft screw	4	4	4
9	20126010	弯针连杆摆架	Looper link holder	1	1	1
10	201S11035	螺钉SM1/8"×44	Screw	1	1	1
11	201S12007	螺钉SM15/64"×28	Screw	1	1	1
12	20128021	下弯针架垫圈	Lower looper holder washer	2	2	2
13	20104008	下弯针架	Lower looper holder	1	1	0
13	20104025	下弯针架	Lower looper holder	0	0	1
14	****	下弯针	Lower looper	1	1	0
14	****	下弯针	Lower looper	0	0	1
15	20104010	下弯针摆动曲柄	Lower looper crank	0	0	1
16	201S11007	螺钉SM9/64"×40	Screw	0	0	2
17	201S20013	螺钉SM1/4"×40	Screw	2	2	2



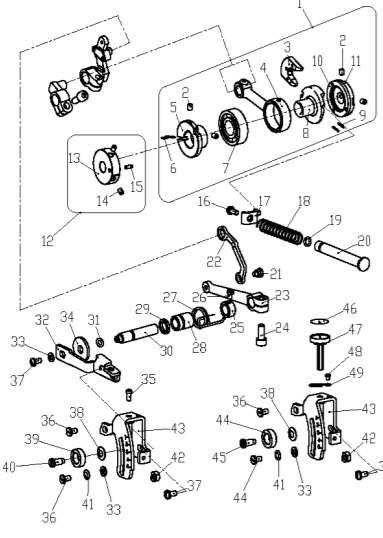
十三、前弯针部分 Front Looper Assemblies

序号 NO.	公司件号 Part NO.	名称	Description	数量 (Number)		
				三线 three-thread	四线 four-thread	五线 five-thread
1	201S12002	前弯针曲柄螺钉	Front looper crank screw	0	0	4
2	20108001	挡圈	Snap ring	0	0	1
3	20109002	前弯针滑块	Front looper slide block	0	0	1
4	20104013	驱动曲柄	Driving crank	0	0	1
5	20101021	驱动摩	Driving lever	0	0	1
6	201S14002	螺钉	Driving lever set screw	0	0	3
7	20129003	卡簧	Snap ring	0	0	1
8	201S30009	驱动曲柄螺钉	Driving lever set screw	0	0	1
9	20102010	横轴	Horizontal shaft	0	0	1
10	201S16002	曲柄调节螺母	Nut	0	0	1
11	20104014	横轴曲柄	Horizontal shaft crank	0	0	1
12	20126014	曲柄销	Pin	0	0	1
13	2010402300	曲柄连杆凸轮组件	Shaft link crank	0	0	1
14	20105003	横轴连杆	Horizontal shaft link	0	0	1
15	20124002	连杆滚针轴承	Needle bearing	0	0	1
16	20112028	轴承挡圈	Snap ring	0	0	1
17	201S17001	螺钉SM3/32"×56	Screw	0	0	2
18	20102009	前弯针轴	Front looper shaft	0	0	1
19	20609017	连板	Regulating plate	0	0	1
20	20126013	调节板销	Regulating plate pin	0	0	2
21	****	前弯针	Front looper	0	0	1
22	20128014	前弯针调节垫片	Washer	0	0	1
23	201S11008	螺钉SM9/64"×40	Screw	0	0	1
24	201S11003	螺钉SM3/32"×56	Screw	0	0	1
25	201S12007	螺钉SM15/64"×28	Screw	0	0	1
26	20128021	下弯针架垫圈	Washer	0	0	1
27	20104011	前弯针架	Front looper shaft holder	0	0	1
28	20126022	前弯针曲柄销	Pin	0	0	1
29	20123021	油线	Oil felt	0	0	1
30	201S12005	螺钉	Screw	0	0	1
31	201S13003	螺钉SM15/64"×28	Screw	0	0	2
32	20104012	前弯针曲柄	Front looper crank	0	0	1
33	20128033	W06垫片	Washer	0	0	1

十四、打线凸轮部分 Cam Assemblies

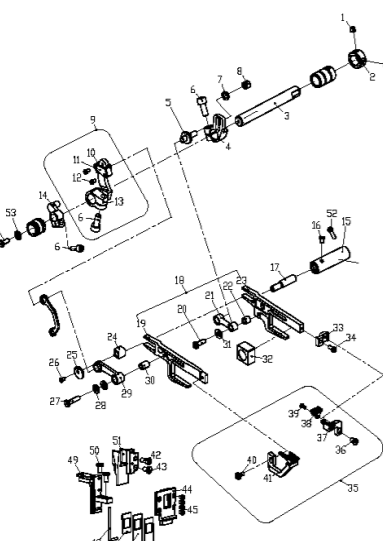
序号 NO.	公司件号 Part NO.	名称	Description	数量 (Number)		
				三线 three-thread	四线 four-thread	五线 five-thread
1	20613015	过线管	Thread guide pipe	0	0	1
2	S01010	螺钉M4×8	Screw	0	0	1
3	20113016	过线管	Thread pipe	0	0	1
4	20113025	导接管套	Thread pipe cover	0	0	2
5	20112031	过线板压板	Bracket	0	0	2
6	2061205700	打线凸轮架组件	Bracket assemblies	0	0	1
7	S01022	螺钉M3×4	Screw	0	0	1
8	20613017	凸轮架过线	Thread guide	0	0	1
9	20612057	打线凸轮架	Bracket	0	0	1
10	206S30015	螺钉M3×2	Screw	0	0	1

11	20612055	小夹线片	Tension disc	0	0	2
12	30127016	夹线簧	Spring	0	0	1
13	206S16004	夹线螺母	Nut	0	0	1
14	S01031	螺钉M4×4.7	Screw	0	0	1
15	20113023	二眼过线板	Thread guide	0	0	1
16	20612056	分线板	Thread guide	0	0	1
17	201S11014	螺钉SM1/4"×40	Screw	0	0	1
18	206S20016	螺钉M4×3	Screw	0	0	1
19	20128015	波形垫圈	Flat spring	0	0	2
20	207S14009	打线凸轮顶丝	Cam set Screw	0	0	2
21	2011301800	打线凸轮组件	Looper thread take-up cam	0	0	1
22	20629005	卡簧	Flat spring	0	0	1
23	20629004	打线架卡簧	Thread guide	0	0	1
24	S01022	螺钉M3×4	Screw	0	0	1
25	20629003	过线管夹	Bracket	0	0	1
26	20628012	垫片	Washer	0	0	1
27	20611010	导线管套	Thread guide pipe bushing	0	0	2



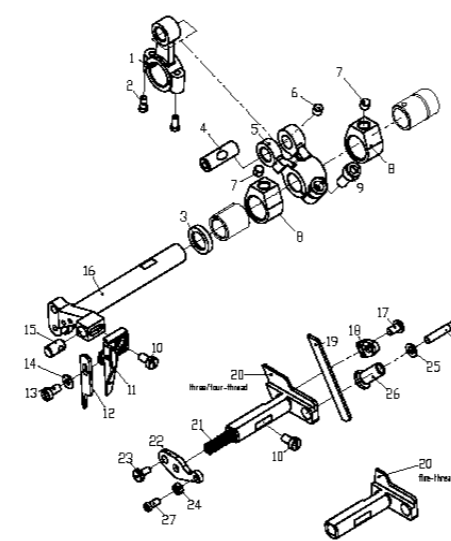
十五、差动送布部件(1) Different Feed Assemblies (1)

序号 NO.	公司件号 Part NO.	名称	Description	数量 (Number)		
				三线 three-thread	四线 four-thread	五线 five-thread
1	201050900	送布组件	Stitch length regulation cam asm	1	1	1
2	201S14002	送布凸轮调节螺钉	Screw	4	4	4
3	20109004	送布凸轮调节滑块	Stitch length regulating block	1	1	1
4	20105004	送布连杆	Feed link	1	1	1
5	20110003	送布凸轮	Feed length cam	1	1	1
6	20112035	送布凸轮簧	Feed cam spring	1	1	1
7	B07007	滚动轴承	Feed rod rolling pin bearing	1	1	1
8	20110002	针距凸轮	Stitch length cam	1	1	1
9	20127009	针距调节滑块压簧	Stitch length regulating block spring	2	2	2
10	20125002	内齿圈	Annular gear coil	1	1	1
11	20101022	内齿圈座	Annular gear coil chassis	1	1	1
12	400439	送布凸轮座组件	Feed cam pack	1	1	0
13	20110004	送布凸轮座	Feed cam	1	1	0
14	201S14002	送布凸轮调节螺钉	Screw	2	2	0
15	P01004	送布凸轮座销	Feed cam pin	1	1	0
16	201S12005	针距调节压板螺钉	Screw	1	1	1
17	20112034	针距调节压板	Stitch length regulating plate	1	1	1
18	20127008	针距调节器簧	Spring	1	1	1
19	001016	O型圈	O Ring	1	1	1
20	20102011	送布调节器杆	Stitch length regulating shaft	1	1	1
21	201S20008	差动连杆螺钉	Screw	1	1	1
22	20105005	差动连杆	Differential link	1	1	1
23	20104016	差动曲柄	Differential crank	1	1	1
24	201S13003	螺钉SM15/64"×28	Screw	1	1	1
25	20108005	挡圈	Snap ring	1	1	1
26	201S12002	挡圈螺钉	Screw	1	1	1
27	20127010	弹簧	Spring	1	1	1
28	20103017	差动轴套筒	Differential shaft bearing	1	1	1
29	20122029	油封	Oil seal	1	1	1
30	20102012	差动轴	Differential shaft	1	1	1



十六、差动送布部件(2) Different Feed Assemblies (2)

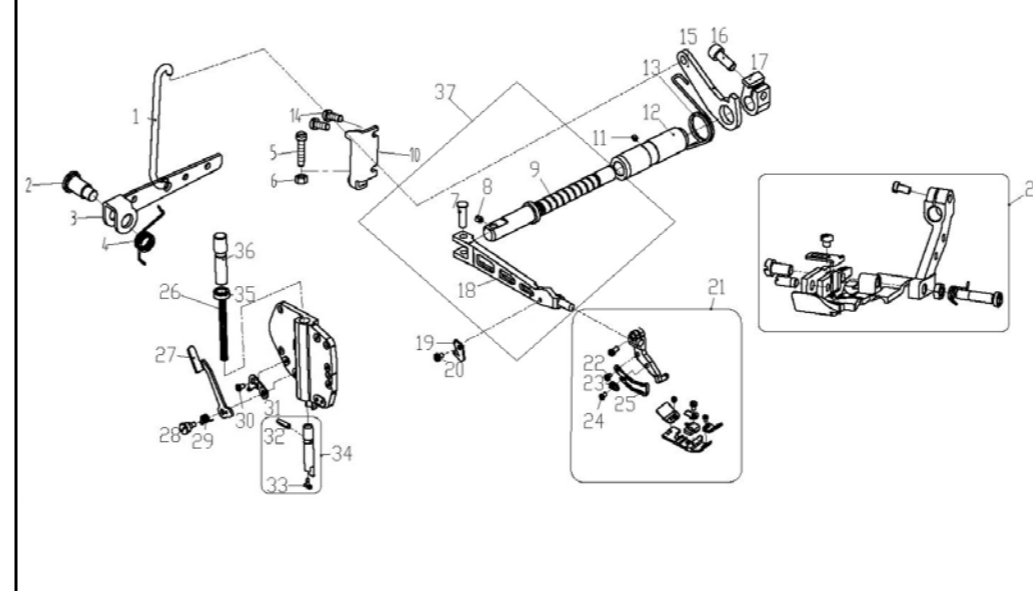
序号 NO.	公司件号 Part NO.	名称	Description	数量 (Number)		
				三线 three-thread	四线 four-thread	五线 five-thread
1	S10007	挡圈螺钉M4×4	Screw	2	2	2
2	20708004	挡圈	Collar	1	1	1
3	20102014	送布轴	Feed shaft	1	1	1
4	20104017	送布调节曲柄	Feed regulating crank	1	1	1
5	20102015	送布牙连杆偏心轴	Feed dog link eccentric shaft	1	1	1
6	201S13003	螺钉SM15/64"×28	Screw	3	3	3
7	20128021	垫圈	Washer	1	1	1
8	201S16002	螺母	Nut	1	1	1
9	2010402400	差动牙调节曲柄组件	Differential feed regulating crank	1	1	1
10	20112039	曲柄滑块盖板	Crank slide block cover	1	1	1
11	20109010	曲柄滑块	Crank slide block	1	1	1
12	201S11051	螺钉	Screw	2	2	2
13	20104018	曲柄	Crank slide	1	1	1
14	20104015	送布曲柄	Feed crank	1	1	1
15	20103018	滑块偏心轴套筒	Slid block eccentric shaft bushing	1	1	1
16	201S12002	调牙套筒螺钉	Screw	1	1	1
17	20102013	滑块偏心轴	Slid block eccentric shaft	1	1	1
18	2010600300	牙架组件	Dog spur pack	1	1	1
19	20106002	差动牙架	Differential feed dog holder	1	1	1
20	201S12003	螺钉	Screw	1	1	1
21	20105006	送布牙架连杆	Feed dog holder link	1	1	1
22	20103021	送布牙架连杆套	Feed dog holder link bushing	1	1	1
23	20106001	主送布牙架	Feed dog holder	1	1	1
24	20109008	差动送布滑块	Differential feed slide block	1	1	1
25	20628013	垫片	Washer	1	1	1
26	201S17003	螺钉SM1/8"×44	Screw	1	1	1
27	201S12004	螺钉	Screw	1	1	1
28	20128030	垫片	Washer	2	2	2
29	20105007	差动牙架连杆	Differential feed dog holder link	1	1	1
30	20103022	差动牙架连杆套	Differential feed dog holder link bushing	1	1	1
31	20128029	垫片	Washer	1	1	1
32	20109022	抬牙滑块	Feed dog lift slide block	1	1	1
33	20109006	牙连接板	Dog link plate	1	1	1
34	201S11012	螺钉SM9/64"×40	Screw	1	1	1
35	****	送料组件	Feed form	1	1	0
35	****	送料组件 (16S)	Feed form	1	0	0
35	****	送料组件 (35/55)	Feed form	0	0	1
35	****	送料组件 (56)	Feed form	0	0	1
36	201S11038	螺钉SM9/64"×40	Screw	1	1	1
37	****	主送布牙	Main feed dog	1	1	1
38	****	辅助送布牙	Main feed dog	1	1	1
39	201S11003	螺钉SM3/32"×56	Screw	1	1	1
40	201S11038	螺钉SM9/64"×40	Screw	1	1	1
41	****	差动送布牙	Differential feed dog	1	1	1
42	201S11023	螺钉	Screw	1	1	1
43	201S11018	螺钉	Screw	1	1	1
44	20109012	密封导架	Sealing connecting rod	1	1	1
45	201S11005	螺钉SM1/8"×44	Screw	4	4	4
46	20122031	密封片	Adjustable oil seal	2	2	2
47	20122050	密封片 (短)	Adjustable oil seal	1	1	1
48	20122030	密封条	Sealing connecting ring	1	1	1
49	20101023	挡油板	Screw oil plate	1	1	1
50	201S11016	螺钉	Screw	2	2	2
51	20109011	牙架导轨	Feed dog carrier connection rod	1	1	1
52	201S11021	螺钉	Screw	1	1	1
53	20128007	垫片	Washer	1	1	1
54	201S11016	螺钉SM11/64"×40	Screw	1	1	1



十七、剪切部件 Knife Drive Mechanism

序号 NO.	公司件号 Part NO.	名称	Description	数量 (Number)		
				三线 three-thread	四线 four-thread	五线 five-thread
1	20105202	上刀连杆	Connection	1	1	1
2	201S20015	螺钉M4×16	Screw	2	2	2
3	20122021	油封	Oil seal	1	1	1
4	20126015	上刀曲柄销	Pin	1	1	1
5	20104202	上刀曲柄	Upper knife crank	1	1	0
5	20104203	上刀曲柄	Upper knife crank	0	0	1
6	201S12005	螺钉	Screw	1	1	1

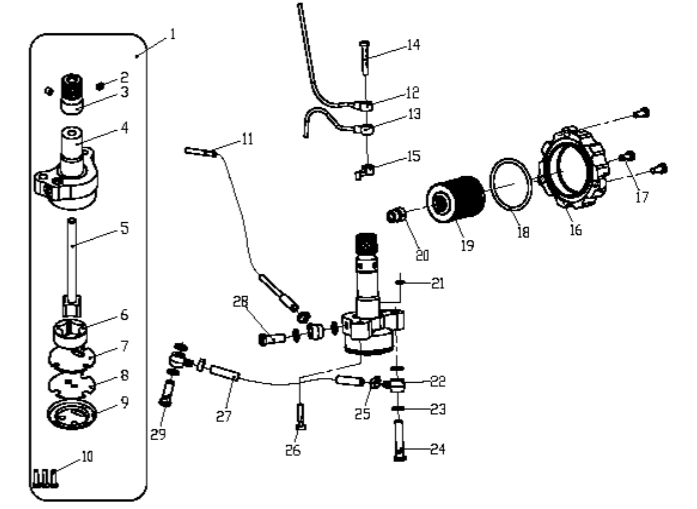
7	S10003	螺钉M6×0.75×5	Screw	2	2	2
8	20108007	挡圈	Collar	2	2	2
9	S05017	螺钉M6×0.75×13.5	Screw	1	1	1
10	201S11022	螺钉SM11/64"×40	Screw	2	2	2
11	20101024	上刀座	Upper Knife Clamp	1	1	0
11	20101025	上刀座	Upper Knife Clamp	0	0	1
11	20101053	上刀座	Upper Knife Clamp	0	0	1
12	****	上刀	Upper Knife	1	1	1
12	****	上刀 (原料)	Upper Knife	0	0	1
13	201S12001	螺钉SM9/64"×40	Screw	1	1	1
14	20128020	垫片	Washer	1	1	1
15	20126016	销	Pin	1	1	1
16	20102017	上刀架轴	Upper knife feame rock shaft	1	1	1
17	201S12005	螺钉	Screw	1	1	1
18	20101026	下刀压板	Lower knife holder lock plate	0	0	1
19	****	下刀	Lower knife	1	1	1
19	****	下刀 (原料)	Lower knife	0	0	1
20	20102018	下刀架	Lower Knife Holder	1	1	1
20	20102019	下刀架 (5线)	Lower Knife Holder	0	0	1
21	20127012	弹簧	Spring	1	1	1
22	20112040	下刀架挡板	Screw	1	1	1
23	201S11018	螺钉SM11/64"×40	Screw	1	1	1
24	201S16001	螺母	Nut	1	1	1
25	W01006	垫片	Washer	1	1	1
26	20103025	套筒	Bushing	1	1	1
27	201S11012	螺钉	Screw	1	1	1
28	201S11015	螺钉SM11/64"×40	Screw	1	1	1



十八、压脚部件 Presser Foot Mechanism

序号 NO.	公司件号 Part NO.	名称	Description	数量 (Number)		
				三线 three-thread	四线 four-thread	五线 five-thread
1	20712025	弯钩	Link	1	1	1
2	207S20008	抬压脚螺钉M10	Screw	1	1	1
3	20712023	抬压脚杆	Lever	1	1	1
4	20727007	扭簧	Spring	1	1	1
5	207S11031	螺钉M5×24	Screw	1	1	1
6	N01004	螺母M5	Nut	1	1	1
7	20628016	压脚臂连杆销	Pin	1	1	1
8	S10011	紧定螺钉M4×4	Screw	1	1	1
9	20102035	压脚轴	Shaft	1	1	1
10	20712024	角板	Stopper	1	1	1
11	S10002	螺钉M5×5	Screw	1	1	1
12	20103036	压脚轴套筒	Bushing	1	1	1
13	20627009	小杆杆弹簧	Spring	1	1	1
14	207S11012	螺钉M4×10	Screw	2	2	2
15	20612030	小杆杆	Shaft	1	1	1
16	S05017	螺钉M6×0.75×13.5	Screw	1	1	1
17	20608004	抬压脚复位圈	Collar	1	1	1
18	20101202	压脚臂	Presser arm	1	1	1
19	20119003	剃刀	Chain cutter	1	1	1
20	207S11020	螺钉M3×4	Screw	1	1	1
21	****	压脚组件	Presser foot assy	1	0	0
21	****	压脚组件	Presser foot assy	0	1	0
21	****	压脚组件 (35)	Presser foot assy	0	0	1
21	****	压脚组件 (55)	Presser foot assy	0	0	1
21	****	压脚组件 (56)	Presser foot assy	0	0	1
21	****	压脚组件 (16S)	Presser foot assy	1	0	0
22	207S11020	螺钉M3×4	Screw	1	1	1
23	20612083	压脚限位板	Stopper	1	1	1
24	207S11009	螺钉M3×4.5	Screw	1	1	1
25	20712026	压脚护手	Lever	1	1	1
26	20127032	压杆弹簧	Spring	1	1	1
27	20612034	压杆扳手	Lever	1	1	1
28	206S30017	螺钉M4×5.2	Screw	1	1	1
29	20627010	压杆扳手扭簧	Spring	1	1	1
30	S01002	螺钉	Screw	1	1	1
31	20612090	压手限位板	Stopper	1	1	1
32	P03006	销4.5×18	Screw	1	1	1
33	207S11007	螺钉M4×7.5	Screw	1	1	1
34	2010220600	压杆组件	Lever	1	1	1
35	207S16005	压杆螺母	Nut	1	1	1

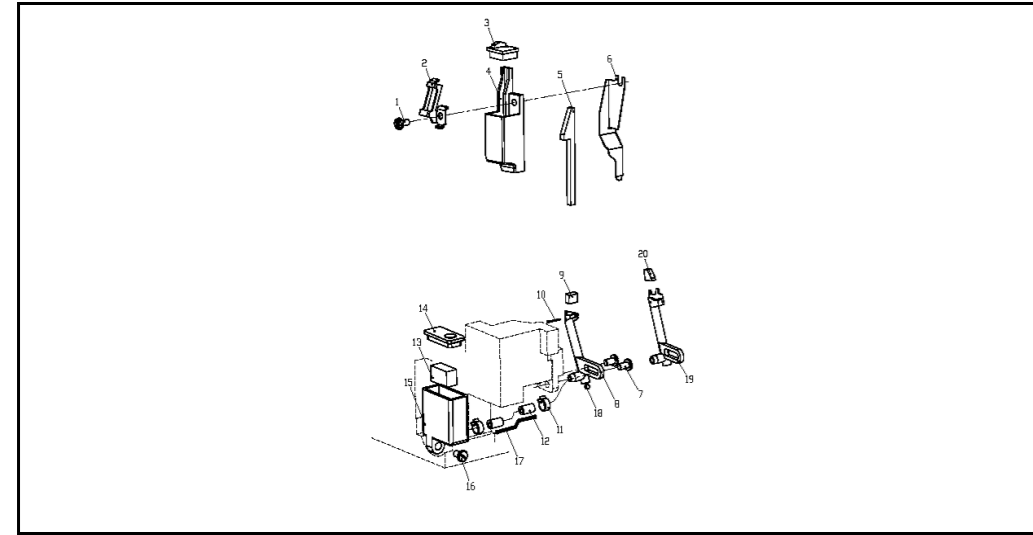
36	20702019	压杆螺母	Screw	1	1	1
37	2010120200	压脚臂组件	Presser arm	1	1	1



十九、供油部件(1) Lubrication Assemblies (1)

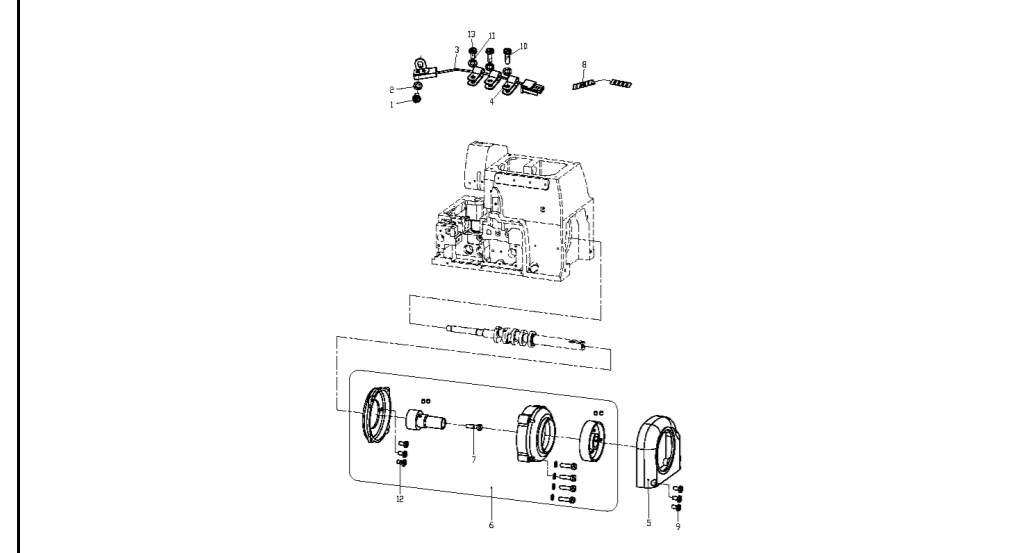
序号 NO.	公司件号 Part NO.	名称	Description	数量 (Number)		
				三线 three-thread	四线 four-thread	五线 five-thread
1	20320001	油泵	Oil pump	1	1	1
2	203s20002	螺钉SM3/16"×32	Screw SM3/16×32	2	2	2
3	20320011	油泵涡轮	Pump turbine	1	1	1
4	20320017	油泵壳体	Pump body	1	1	1
5	20320012	油泵主轴	Pump spindle	1	1	1
6	20320021	油泵叶轮套				

9	2062607	上弯针滑杆过油器	Pin	1	1	1
10	S10007	螺钉M4×4	Screw M4×4	1	1	1
11	20722008	油盘垫	Gasket	1	1	1
12	20701058	油盘	Oil Reservoir	1	1	1
13	20528014	油盘放油垫圈	Washer	1	1	1
14	207S13002	放油螺钉	Screw	1	1	1
15	20628018	垫片	Washer	4	4	4
16	207S13009	螺钉M5×12	Bolt	4	4	4



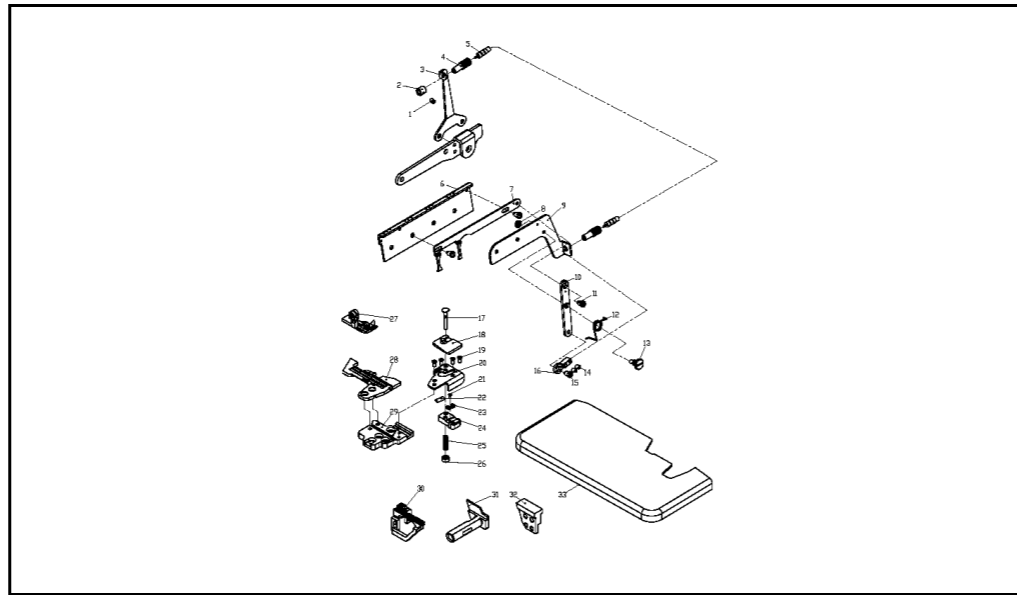
### 二十一、HR部件 H.R. Assemblies

序号 NO.	公司件号 Part NO.	名称	Description	数量 (Number)		
				三线 three-thread	四线 four-thread	五线 five-thread
1	207S11012	螺钉M4×8	Screw M4×8	1	1	1
2	20712040	过线架	Thread guide	1	1	0
2	20713019	过线架	Thread guide	0	0	1
3	20711015	上硅油盒盖	Cover	1	1	1
4	20111205	硅油盒	Oil reservoir	1	1	1
5	20723008	油毡	Felt	1	1	0
5	20719051	油毡	Felt	0	0	1
6	20112105	挡油板	Coner	1	1	1
7	201S11018	螺钉SM11/64"×40	Screw SM11/64"×40	2	2	2
8	20101037	机针冷却器	Needle cooler	1	1	0
9	20123014	油棉	Oil felt	1	1	0
10	###	别针	Pin	1	1	1
11	20129002	卡簧	Shape ring	2	2	2
12	30121021	油管	Clamp	1	1	1
13	20123017	硅油棉块	Oil felt block	1	1	1
14	20111011	下硅油盒盖	Lower oil box cover	1	1	1
15	20111012	硅油盒	Oil box	1	1	1
16	201S11016	螺钉SM11/64"×40	Screw SM11/64"×40	1	1	1
17	20123021	油线	Oil wick	1	1	1
18	20123012	滚珠	Plug	1	1	1
19	20101038	机针冷却器	Needle cooler	0	0	1
20	20123015	油棉	Oil felt	0	0	1



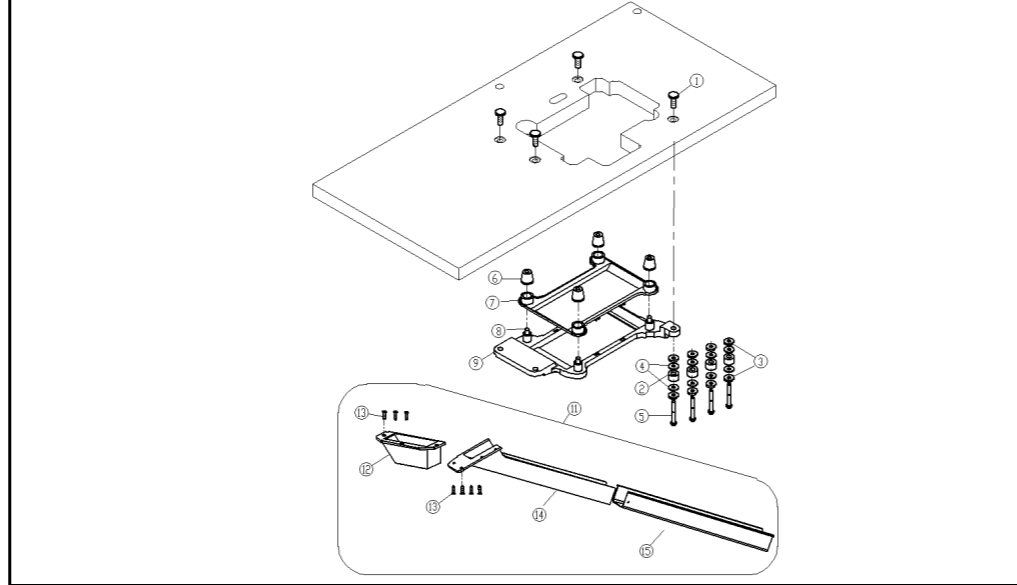
### 二十二、直驱部件 Direct Drive Assemblies

序号 NO.	公司件号 Part NO.	名称	Description	数量 (Number)		
				三线 three-thread	四线 four-thread	五线 five-thread
1	S01010	螺钉M4×8	Screw M4×8	1	1	1
2	20628012	油管螺钉垫片	Washer	1	1	1
3	2013002100	LED灯组件	LED lamp	1	1	1
4	20711210	R型线夹3.3	Clamp	3	3	3
5	20111059	电机罩	Cover	1	1	1
6	20133010	直驱电机	Direct drive motor	1	1	1
7	201S11034	螺钉SM15/64"×28	Screw SM15/64"×28	1	1	1
8	20711207	线管	Tie	0.85	0.85	0.85
9	S01083	螺钉M6×20	Screw M4×8	3	3	3
10	301S11009	螺钉	Screw	3	3	3
11	20612062	螺钉垫片	Washer	3	3	3
12	S01011	螺钉	Screw	3	3	3
13	201S11016	螺钉	Screw	1	1	1



### 二十三、倒回缝部件 Back Latch Components

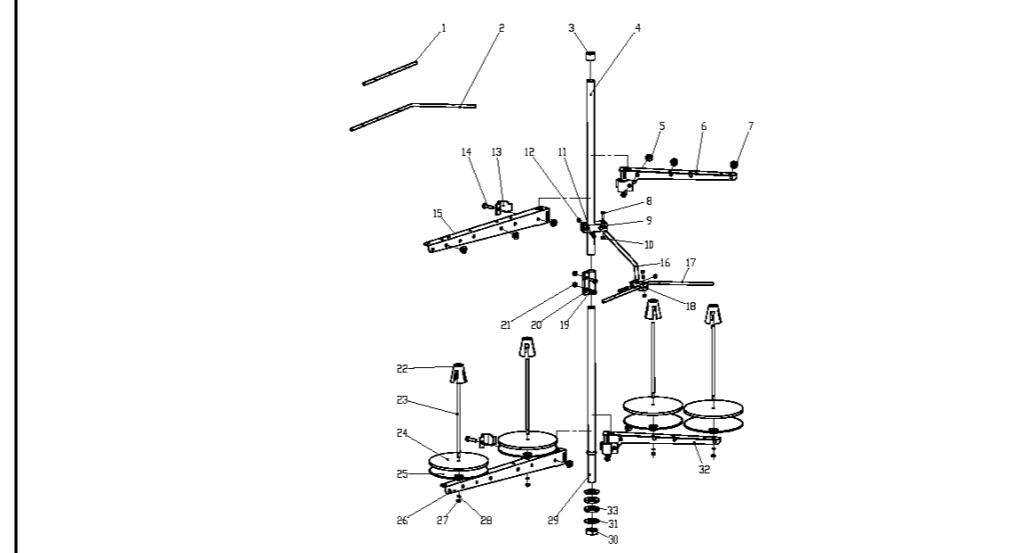
序号 NO.	公司件号 Part NO.	名称	Description	数量 (Number)		
				三线 three-thread	四线 four-thread	五线 five-thread
1	201S14002	螺钉	Screw	1	1	0
2	20103029	钢丝接管	Collar	1	1	0
3	20112058	支架	Bracket	1	1	0
4	201S30018	接头螺钉	Screw	2	2	0
5	20112059	天线	Sleeve	1	1	0
6	20112207	过线板	Thread guide plate	1	1	0
7	20112208	过线推板	Thread tension plate	1	1	0
8	201S16003	螺母	Nut	1	1	0
9	20112209	前支架	Frong frame	1	1	0
10	20112063	松线杆杆	Thread tension releasing lever	1	1	0
11	201S20012	螺钉	Screw	1	1	0
12	20127021	松线扭簧	Spring	1	1	0
13	201S20013	螺钉	Screw	1	1	0
14	201S14003	螺钉	Screw	2	2	0
15	201S20014	螺钉	Screw	1	1	0
16	20101039	钢丝接头	Connector	1	1	0
17	205S30007	压线板螺钉	Pressure line plate screw	1	1	0
18	20113209	压线板	Pressure line plate	1	1	0
19	S02007	螺钉	Screw	4	4	0
20	20112210	刀片定位板	Cutter location positioning plate	1	1	0
21	205S30008	压力板螺钉	Pressure plate screw	1	1	0
22	20519002	刀子	Knife	1	1	0
23	20512003	压力板	Pressure plate	1	1	0
24	20519001	小刀架	Knife rack	1	1	0
25	20527003	弹簧	Spring	1	1	0
26	301S16007	夹线螺母	Clamp nut	1	1	0
27	2.072E+09	压脚	Presser foot form	0	0	0
27	2.072E+09	压脚	Presser foot form	0	0	0
28	****	针板	Needle plate	1	0	0
28	****	针板	Needle plate	0	1	0
29	20109025	针板垫块	Bracket	1	1	0
30	****	牙齿	Feed form	1	1	0
31	20102040	下刀架	Lower knife holder	1	1	0
32	20109103	护针挡座	Needle guard bracket	1	1	0
33	2.011E+09	绿台盖组件	Cloth plate	1	1	0



### 二十四、托盘、排料部件 Plate Row Material Assemblies

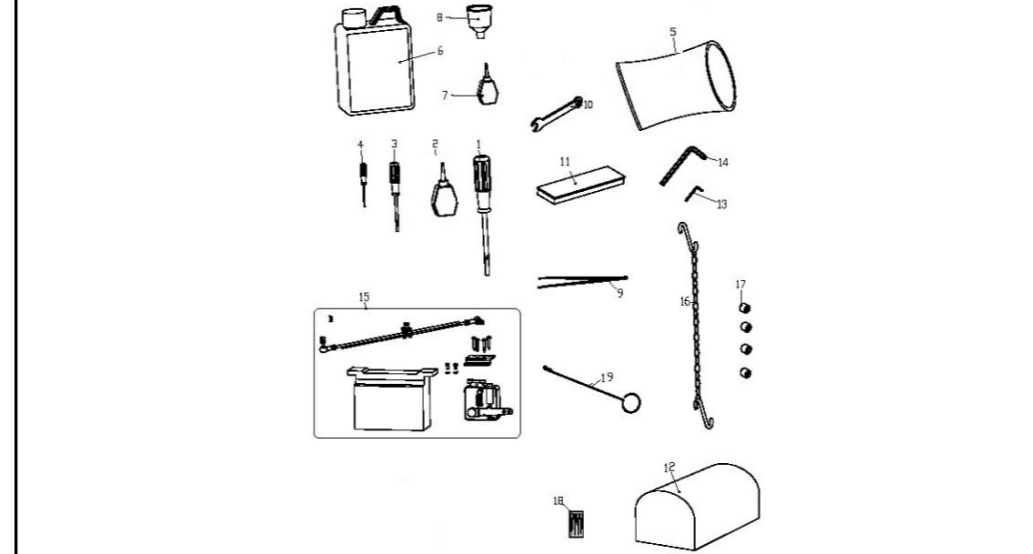
序号 NO.	公司件号 Part NO.	名称	Description	数量 (Number)		
				三线 three-thread	四线 four-thread	五线 five-thread
1	20131028	托盘固定螺母	Nut	4	4	4
2	20131030	防震套	Washer	4	4	4
3	30122031	减震垫圈	Spring Washer	8	8	8
4	20131029	大垫圈	Spacer	8	8	8
5	20131027	托盘内六角螺钉	Screw	4	4	4
6	20722018	托盘防震垫	Cushion Rubber	4	4	4
7	20712064	托架	Rest Board	2	2	2
8	207S11046	螺钉	Screw	4	4	4
9	20711058	托盘	Oil Pan	1	1	1

10	207S13006	螺钉M4×7.5	Screw	4	4	4
11	20131058	落料斗组件	Waste Chute Assy	1	1	1
12	20131034	排料槽座螺钉	Screw	7	7	7
13	20131031	排料槽座	Screw	1	1	1
14	20131032	排料槽 I	Waste Chute	1	1	1
15	20131033	排料槽 II	Waste Chute	1	1	1



### 二十五、线架部件 Thread Spool Assemblies

序号 NO.	公司件号 Part NO.	名称	Description	数量 (Number)		
				三线 three-thread	四线 four-thread	五线 five-thread
1	20631018	过线棒	Thread guide	1	0	0
2	20113019	过线棒	Thread guide	0	0	1
3	20131019	棒帽	Rod Cap	1	1	1
4	20131001	上管	Upper thread column	1	1	1
5	201S16006	导线环螺母	Thread guide hook nut	4	4	4
6	20131016	导线架	Thread spool tray bracket	1	1	1
7	20131018	过线环	Thread guide hook	3	4	5
8	20131021	棒架螺钉	Screw	2	2	2
9	20131009	棒架	Clamp plate	1	1	1
10	201S16004	螺母	Nut	4	4	4
11	20131022	棒架螺钉	Screw	2	2	2
12	201S16004	螺母	Nut	4	4	4
13	20131005	导线环	Thread guide hook	4	4	4
14	20131020	导线环螺钉	Screw	4	4	4
15	20131015	导线架	Thread spool tray bracket	1	1	1
16	20131011	导线棒	Thread guide bar	1	1	1
17	20631019	过线棒	Thread guide	0	1	0
18	20131012	固定器	Thread guide joint	1	1	1
19	S04050	螺钉M5×15	Screw	2	2	2
20	20131003	套	Bushing	1	1	1
21	N01030	套螺母	Nut	2	2	2
22	20131008	线圈定位套	Spool Cushion	3	4	5
23	20131006	线托棒	Spool pin	3	4	5
24	20131010	线盘垫	Spool tray cushioning	3	4	5
25	20131007	线盘	Spool tray	3	4	5
26	20131004	托线架	Thread spool tray bracket	1	1	1
27	201S16004	螺母	Nut	3	4	5
28	20128018	垫圈	Washer	3	4	5
29	20131002	下管	Lower thread cloumn	1	1	1
30	201S16005	螺母	Nut	1	1	1
31	20128025	下管垫圈	Lower washer	2	2	2
32	20131017	托线架	Thread spool tray bracket	1	1	1
33	20122049	防震垫	Plate dog link washer	2	2	2
34	20131086	线架组件	Thread stand component	1	0	0
34	20131087	线架组件	Thread stand component	0	1	0
34	20131088	线架组件	Thread stand component	0	0	1



### 二十六、随机附件 Accessories Assemblies

序号 NO.	公司件号 Part NO.	名称	Description	数量 (Number)		
				三线 three-thread	四线 four-thread	五线 five-thread
1	10131002	螺丝刀(大)	screw driver (L)	1	1	1
2	20131037	油壶/50cc	Oil can/50cc	1	1	1
3	10131004	螺丝刀(小)	Screwdriver (S)	1	1	1

4	20131044	螺丝刀(1.5mm)	Hexagonal wrench/1.5mm	1	1	1
5	20131062	机头塑料袋	Plastic machine head bag	1	1	1
6	20131037	油壶	Oil container	1	1	1
7	20131048	小油壶(尖嘴)		1	1	1
8	20131039	漏斗	Tundish	1	1	1
9	20131051	镊子	Tweezers	1	1	1
10	20131043	扳手(8mm)	Wrench/8mm	1	1	1
11	20131055	附件盒	Attachment box	1	1	1
12	10131005	机头罩	Machine head cover	1	1	1
13	20131046	扳手(2mm)	Hexagonal wrench/2mm	1	1	1
14	20131056	扳手(6mm)	Hexagonal wrench/6mm	1	1	1
15	2033000200	拉杆	Draw bar	1	1	1
		电控	Electric cabinet	1	1	1
		调速器	Governor	1	1	1
		调速器支架	Governor stent	1	1	1
16	20131054	脚踏板链	Chain	6	6	6
		螺钉	Screw	6	6	6
17	S10005	螺钉	Screw	4	4	4
18	****	机针	Needle	4	4	4
19	20131052	线勾	Needle threader	1	1	1

### 800系列标准零件量表

型号	规格	种类	零件编号	压脚零件	上管针	下管针	磁头零件	
MACHINE TYPE 6FBC	NO	SW	NEEDLE PLATE	MAIN FEED DOG ASS	PRESSER FOOT ASS	UPPER LOOPER	LOWER LOOPER	CHAINSTITCH LOOPER
803-MG-15	0	1.5	20115006	2011401800	2071601000	20117025	20117008	----
803-MG-04	0	4	20115001	2011401700	2071600900	20117025	20117008	----
803-MG-04BC	0	4	20115004	2011402100	20116005	20117025	20117008	----
804-MG-23BK	2	3	20115085	2011402100	20116005	20117007	20117008	----
804-MG-24	2	4	20115002	2011401700	2011603200	20117007	20117008	----
805-MG-35	3	5	20115003	2011401900	2071600600	20117025	20117009	20117010
805-MG-55	5	5	20115008	2011401900	2071601500	20117025	20117009	20117010
805-2-56	5	6	20115001	2011402000	2061604000	20117025	20117009	20117010

型号	上刀	下刀	I#		I#		种类	规格
			前	后	前	后		
MACHINE TYPE 6FBC	UPPER KNIFE	LOWER KNIFE	OVERLOCK/NEEDLE CHUARO		CHAINSTITCH/NEEDLE		NEEDLE HOLDER	NEEDLE
803-MG-15	20119001	20119002	----	----	20117003	20117002	20634022	BC×27#9
803-MG-04	20119001	20119002	----	----	20117003	20117002	20634022	BC×27#9
803-MG-04BC	20119001	20119002	----	----	20117003	20117002	20634022	BC×27#9
804-MG-23BK	20119001	20119002						