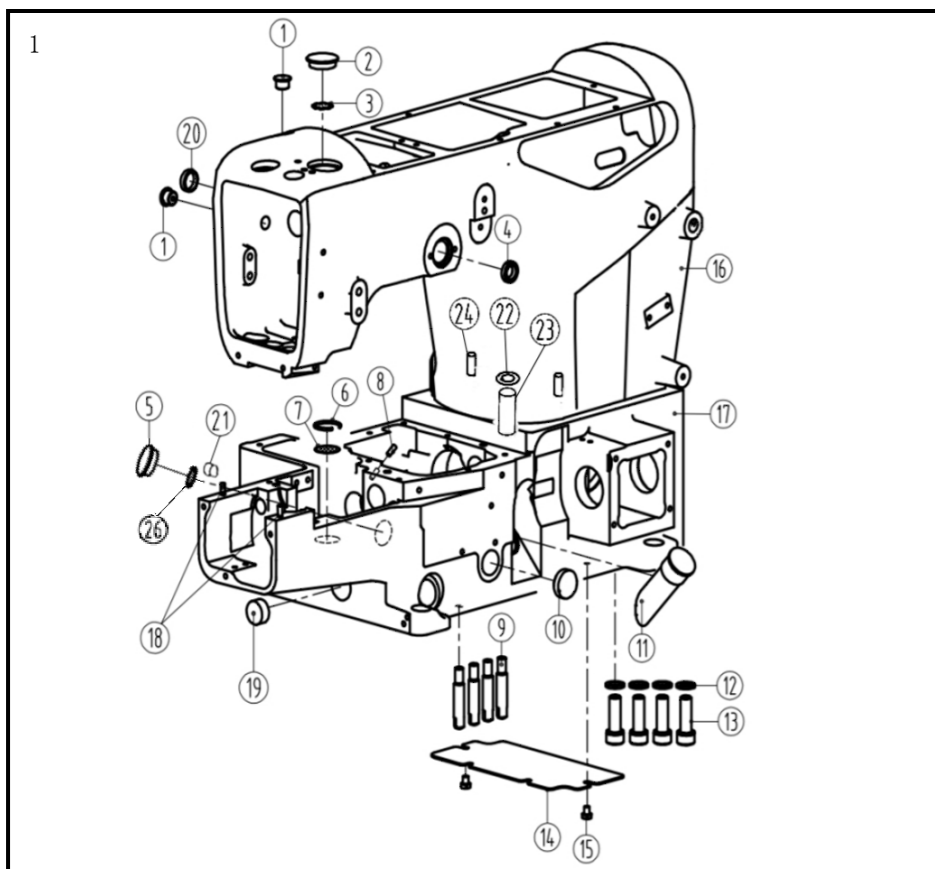


### 套筒部件/Bushing assemblies

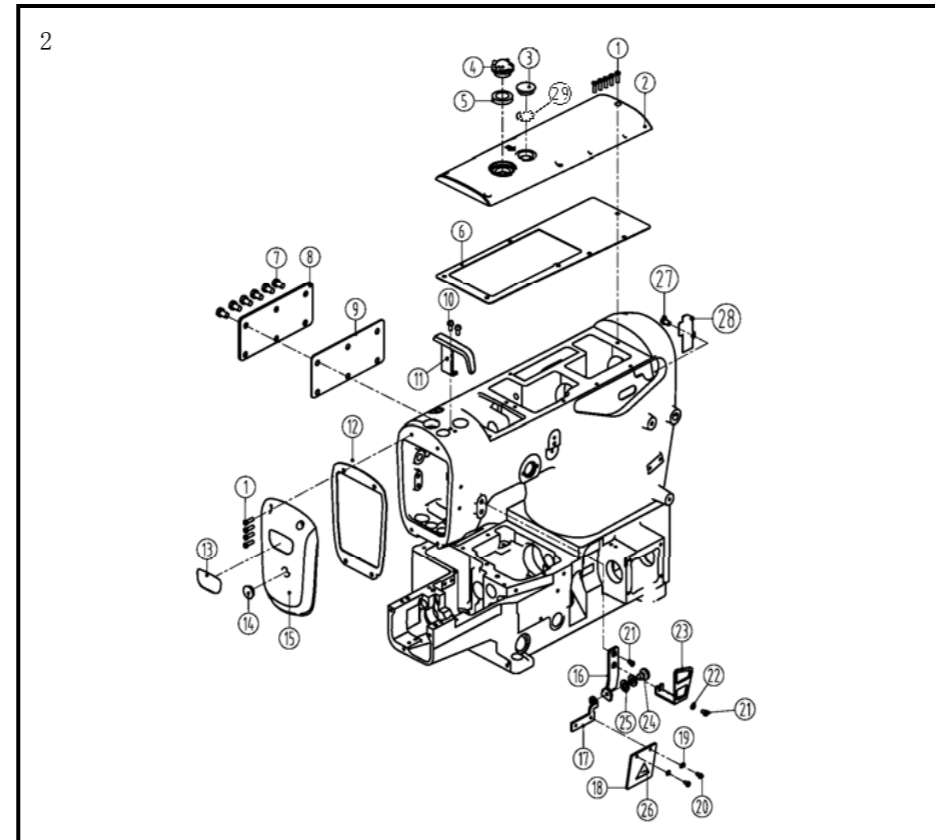
序号 No.	件号 Parts No.	参考件号 Ref. Part No.	名称	Description	数量 Number
1	31003002		扳手轴套筒	sleeve	1
2	30103042	210297	过线座轴前后套筒	sleeve	1
3	30103042	210297	过线座轴前后套筒	sleeve	1
4	20103020	250141	送布轴右套	sleeve	1
5	20103020	250141	送布轴右套	sleeve	1
6	30203004	250146	针杆上套筒	sleeve	1
7	30203005	251003	针杆下套筒	sleeve	1
8	30203024	250147	压脚轴套筒	sleeve	1
9	30203025	250136	喂针摆动轴套筒	sleeve	1
10	20622019		油封	plug	1
11	30122039		压脚轴套油封	plug	1
12	30203002	250137	下主轴前套	sleeve	1
13	30203003	250138	下主轴后套	sleeve	1
14	30203006	0628	护针轴套	sleeve	1
15	30203039	0628	护针轴套	sleeve	1
16	30203011	250139	针距轴套	sleeve	1
17	30203017	250140	差动轴前套	sleeve	1
18	30222011		差动油封	plug	1
19	30203018	250141	差动轴后套	sleeve	1
20	30203014		抬牙轴前套	sleeve	1
21	30222010		抬牙油封	plug	1
22	30203015		抬牙轴中套	sleeve	1
23	30203016	204089	抬牙轴后套	sleeve	1
24	30203012		调节座套	sleeve	1
25	30203009	250191	下弯针轴前套	sleeve	1
26	30203010	250144	下弯针轴后套	sleeve	1
27	P03005		弹性圆柱销3×12	pin	1
28	20122029		油封	plug	1
29	20122029		油封	plug	1



## 零件手册 Parts Manual

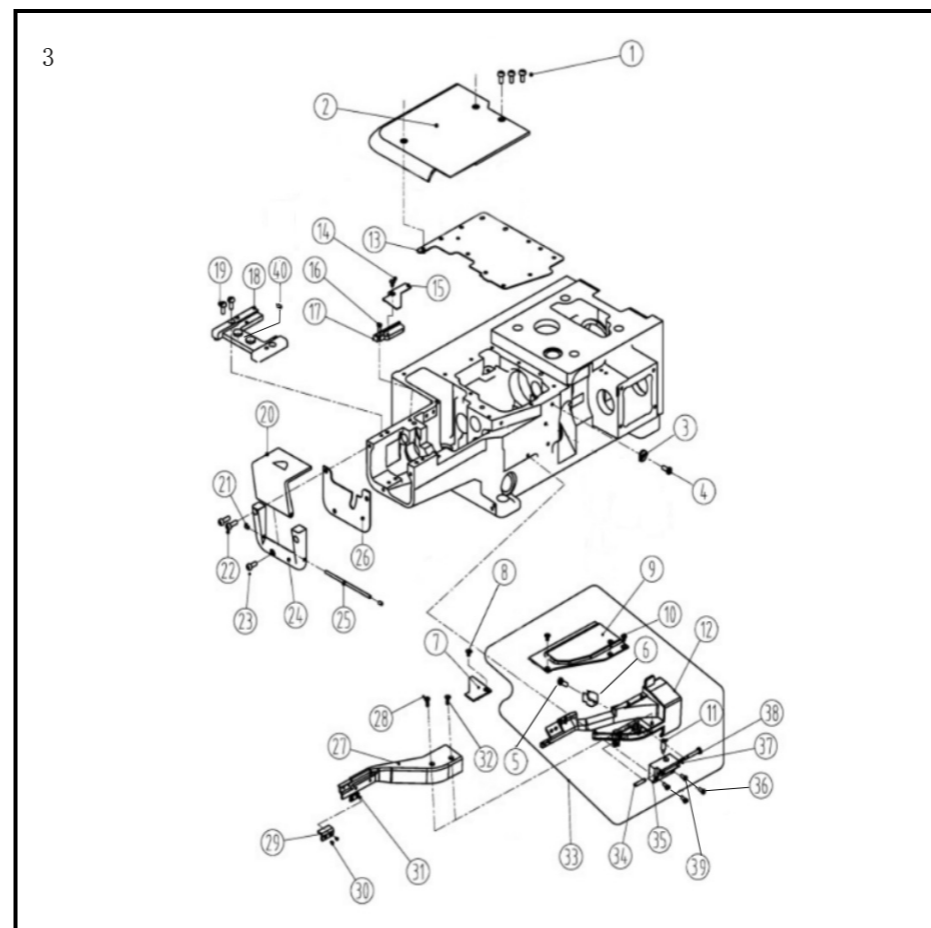
### 1、车壳部件/Frame assemblies

序号 No.	件号 Parts No.	参考件号 Ref. Part No.	名称	Description	数量 Number
1	30122006	240052	油堵	plug	2
2	21022007		油封	plug	1
3	21012018		油封垫	washer	1
4	20622019		油封	plug	1
5	21022007		油封	plug	1
6	H01001	240001	孔用弹性挡圈18	ring	1
7	30112001	255002	滤油网	filter	1
8	30123014		油线	pin	1
9	301S30001	250117	机壳螺钉	bed pin	4
10	20122009	210003	油封	plug	1
11	30111001	206590	油标	oil sight gauge	1
12	W02003		弹性垫圈10	washer	4
13	S05001		螺钉M10×27.5	screw	4
14	30112002	250020	盖板	cover	1
15	S01002	7017	螺钉M4×6.5	cscrew	2
16	100886		机壳上节	chassis	1
17	100887		机壳下节	Casing under section	1
18	30226004		针板架定位销	pin	2
19	30122007		油封	plug	1
20	30122008		油封	plug	1
21	30222003		油堵	plug	1
22	001001		O型圈 15×2.65	o ring	1
23	30221016		铜油管	oil pipe	1
24	P02002		销6×32	pin	2
25	21012018		油封垫	washer	1



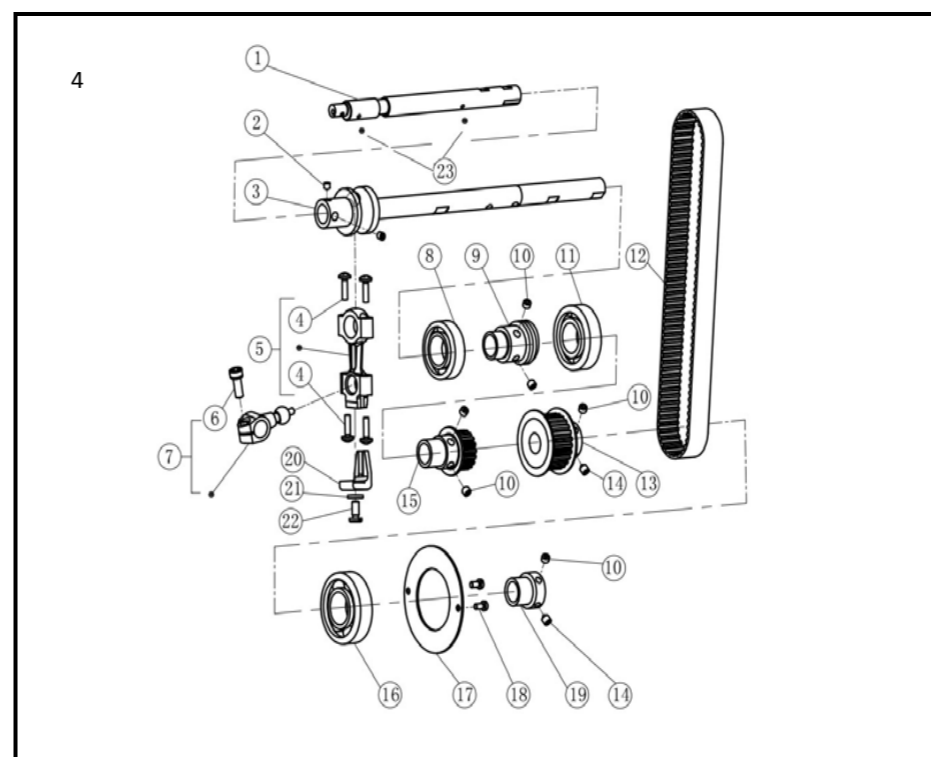
### 2、罩壳部件/Cover assemblies

序号 No.	件号 Parts No.	参考件号 Ref. Part No.	名称	Description	数量 Number
1	S04060	7021	螺钉M4×10	screw	9
2	303600		上盖(喷漆)	arm cover(top)	1
3	20722007		油塞	plug	1
4	20711055		油窗	Oil Sight Window	1
5	21022003		油窗垫	o ring	1
6	31022010		上盖垫	The head gasket	1
7	S01060	7052	螺钉M6×10	screw	6
8	303605	250154	后盖板	arm cover(rear)	1
9	31022013	250155	后盖板垫	gasket	1
10	207S11007		螺钉	screw	2
11	31012020		针杆护罩	needle bar cover	1
12	31022006		机头左盖垫	o ring	1
13	13837002		商标牌	plug	1
14	10122003		面板调节孔塞	plug	1
15	303599		机头左盖(喷漆)	arm cover(rear)	1
16	31012042		玻璃罩安装板	glass plate	1
17	31012029		护罩架	Shield frame	1
18	30111003	250257	有机玻璃罩	eye guard	1
19	W01002	202875	贴纸	sticker	2
20	S01006	7009	螺钉M3×4.5	screw	2
21	S01060	7052	护罩螺钉	screw	2
22	W02004	303335	垫圈6	sticker	1
23	31012012		过线护罩	thread takeup cover	1
24	301S20001		螺钉	screw	1
25	W03001	210307	波形垫圈	washer	2
26	20131063		护罩警示牌	sticker	1
27	S01055		螺钉	screw	1
28	20711212		R型线夹8.6	Card line piece	1
29	21012018		油封垫	washer	1



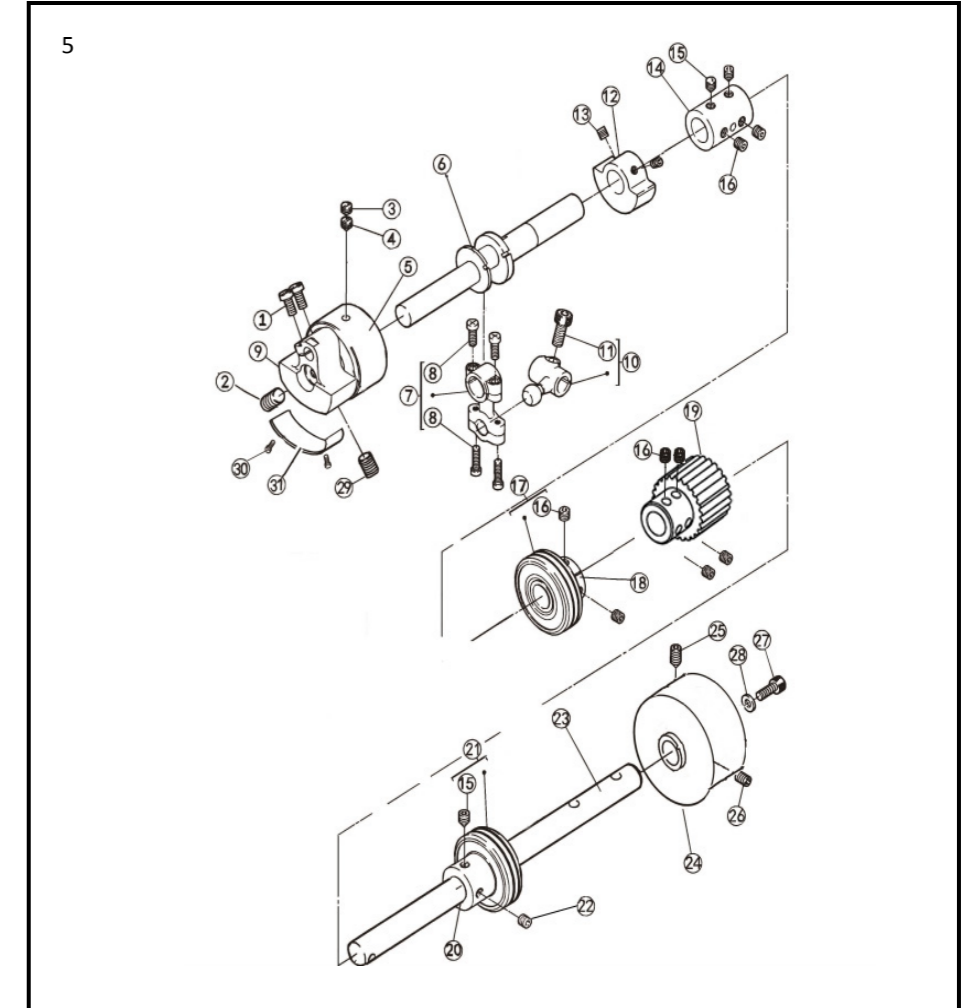
### 3、缝台部件/Cloth plate assemblies

序号 No.	件号 Parts No.	参考件号 Ref. Part No.	名称	Description	数量 Number
1	S01005	7021	螺钉M4×10	screw	3
2	303607		后缝台组件(喷漆)	bed cover	1
3	30213009		过线环	threadguide	1
4	S01055		螺钉 M4×6	screw	1
5	S01055		螺钉 M4×6	screw	1
6	30227030		卡簧	circlip	1
7	31012081		前罩缝台拼接块	Front cover joint	1
8	S02003		螺钉 M4×6	screw	1
9	31012088		前罩缝台面板	Front cover panel	1
10	301S11040	007043	螺钉M4×5	screw	3
11	310S20011		四合一缝台卡簧螺钉	screw	1
12	31001013		前罩缝台	Front hood	1
13	30222027		盖板垫	Flat mat	1
14	S02003		螺钉 M4×6	screw	1
15	31012080		缝台板	bed cover	1
16	S01004		螺钉 M4×7.8	screw	1
17	31001015		缝台架安装座	Mounting seat	1
18	31001005		针板架	needle plate	1
19	S01005		螺钉M4×10	screw	2
20	31012023	0389	左盖板	cover plate assembly	1
21	S10007	4554	螺钉M4×4	screw	2
22	S04060	7024A	螺钉M4×10	screw	2
23	301S11024		螺钉M4×8	screw	1
24	303604	0388	U型盖(喷漆)	left cover plate rack	1
25	31026004	0330	下节左盖板销	pin	1
26	31022004	0325	左盖密封垫	needle tow after boards	1
27	303930		前罩缝台盖(喷漆)	Front cover	1
28	310S01011		螺钉M5×10	screw	1
29	3111203400		针板架接块	bracket	1
30	S01009		螺钉M3×7.5	screw	2
31	31012084		针板接块块	Needle plate block	1
32	310S01011		螺钉M5×10	screw	1
33	303928		前罩缝台组件(喷漆)	bed cover	1
34	31026006	240198	销	pin	1
35	31001014		合销块	Closing pin	1
36	207S11016	007022A	螺钉M4×16	screw	2
37	30128002		垫片	bracket assembly	2
38	310S20006	250013	合销块螺钉	screw	1
39	S01005		螺钉M3×3	screw	2
40	30122018		防震垫	cushion	1



### 4、下轴部件/Hook shaft assemblies

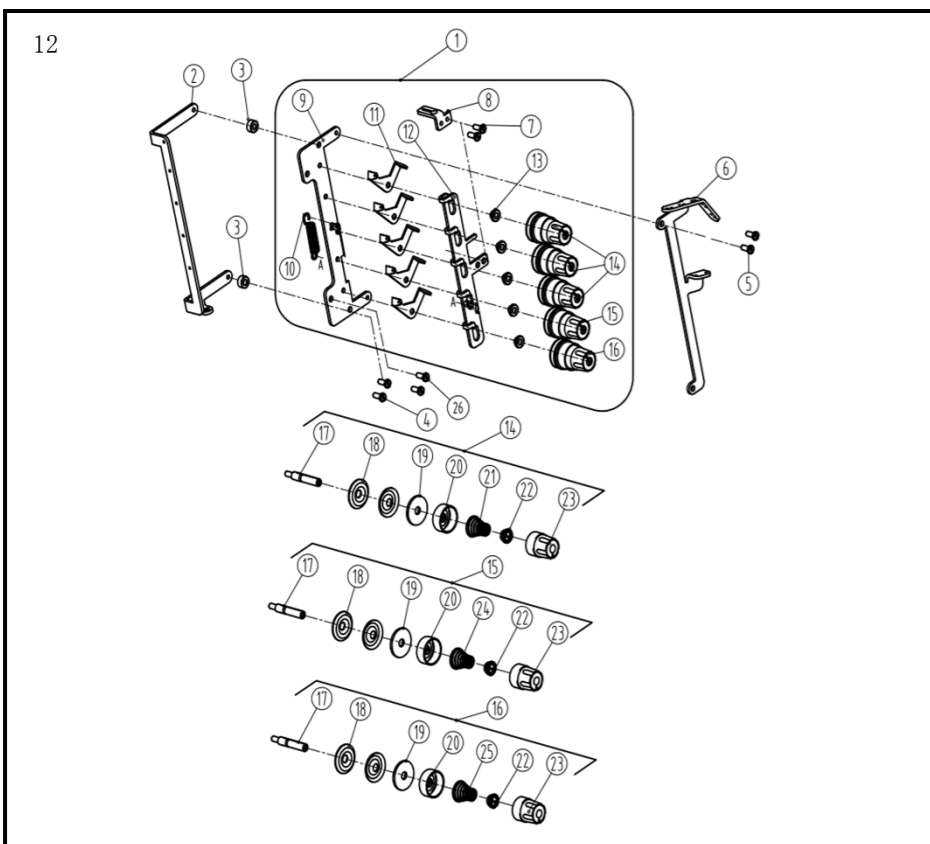
序号 No.	件号 Parts No.	参考件号 Ref. Part No.	名称	Description	数量 Number
1	400082	250551	下轴前轴	crankshaft	1
2	S10015	7128	螺钉M6×0.75×4	screw	2
3	31002008	250554-92	下轴后轴	crankshaft	1
4	201S20015	5376	钢连杆螺丝M3.5×13	connection	4
5	400070	210091-92	球连杆	connection	1
6	S05002	4534	螺钉 M6×0.75×15.2	bolt	1
7	400228	252056-92	球曲柄	crank	1
8	3012400300	2505299A1	油封轴承	bearing	1
9	30103008	250544	销杆	bushing	1
10	S10029	4547	螺钉 M6×0.75×5	screw	6
11	3012400400	250557-91	油封轴承	bearing	1
12	30135021		同步带	timing belt	1
13	3023502500	401	下轴同步带轮组件	gear (lower)	1
14	S12003	4555	螺钉M6×0.75×7	screw	2
15	3023502600	402	下轴小同步带轮组件	gear (lower)	1
16	B01003		油封轴承	bearing	1
17	30108001	250514	轴承挡圈	ring	1
18	S01004	7018A	螺钉 M4×7.8	screw	2
19	31003004		下轴轴承套	bushing	1
20	30109001	201074	比叉	guide	1
21	W02001	202286	垫圈5	washer	1
22	301S11004	4019	比叉螺钉	screw	1
23	30223009		毛毡	sponge	2



### 5、上轴部件/Main shaft assemblies

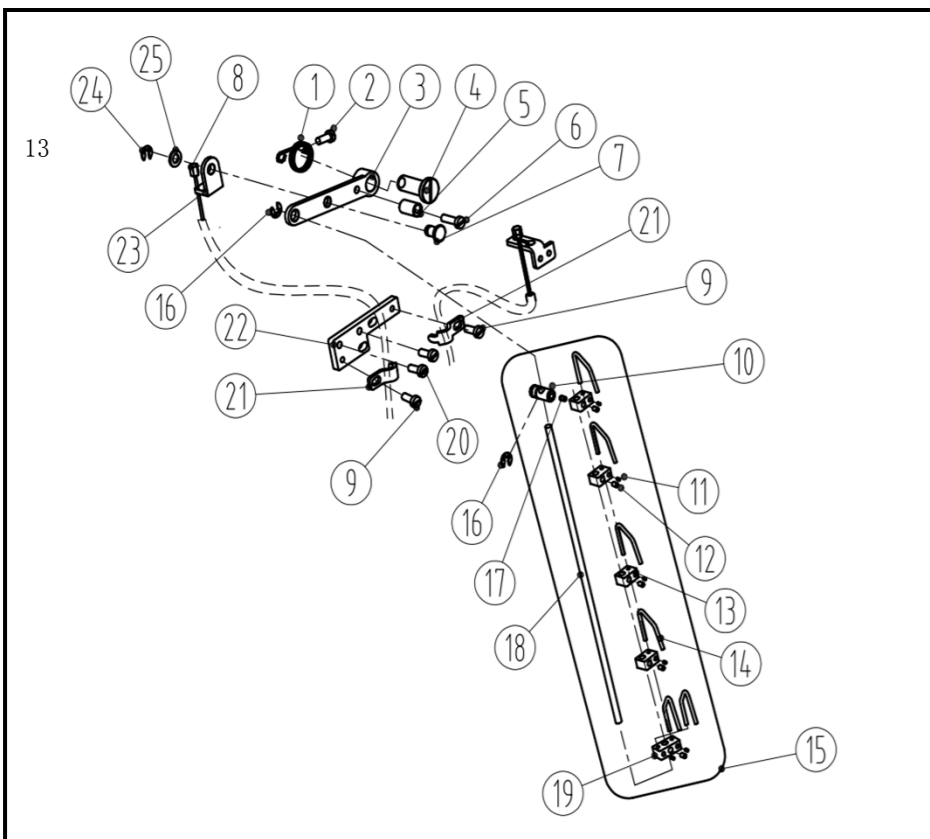
序号 No.	件号 Parts No.	参考件号 Ref. Part No.	名称	Description	数量 Number
1	S01011	7028	螺钉M5×10	screw	2
2	301S10004	4592	针杆曲柄螺钉	screw	1
3	S08001	7153	螺钉M6×0.75×3.5	screw	1
4	S11001	7152	螺钉M6×0.75×6	screw	1
5	30224005		针杆曲柄轴承	bearing	1
6	400065	250560A	上轴轴	crankshaft	1
7	400061	253500-92	弯针连杆	connection assembly	1
8	S01008	007021A	螺钉M3.5×13	screw	4
9	31004006		针杆曲柄	motion assy	1
10	30104006	253501A	弯针曲柄	crank assembly	1
11	S05002	4534	螺钉M6×0.75×15.2	bolt	1
12	30109003	250524	上轴平衡块	balance weight	1
13	S10002	4514	螺钉M5×5	screw	2
14	30103004	250506	接轴套	joint	1
15	S12003	4555	螺钉M6×0.75×7	screw	3
16	S10029	4547	螺钉M6×0.75×5	screw	8
17	3012400400	250529-91	油封轴承	bearing	1
18	30103012		轴承套	bushing	1
19	31035022		上同步带轮	gear (upper)	1
20	30103003		上轴轴承套	bushing	1
21	3012400400	250528-91	油封轴承	bearing	1
22	S10029	4547	螺钉M6×0.75×5	screw	1
23	31002011		上后轴	shaft	1
24	31035002		手轮	pulley	1
25	S12001	4556	螺钉M6×8	screw	1
26	S10009	4541	螺钉M6×8	screw	1
27	S05004	4501	螺钉	screw	1
28	W01004	204585	垫片	washer	1
29	S10004	4592	螺钉M8×1×12	screw	1
30	S02003		螺钉	screw	2
31	31009001		针杆曲柄平衡块	balance weight	1





12、松线部件(一)/Thread loosening assemblies (one)

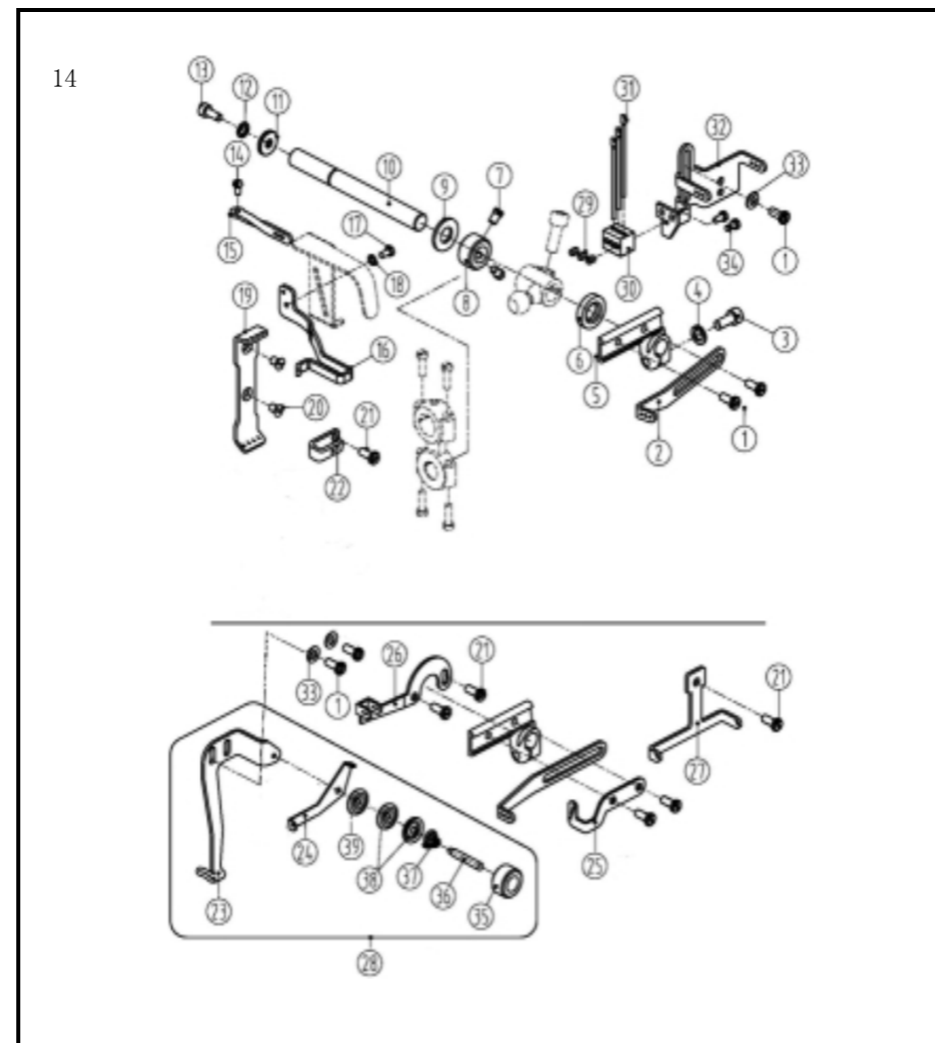
序号 No.	件号 Parts No.	参考件号 Ref. Part. No.	名称	Description	数量 Number
1	3101300800	201068	夹线器	tension	1
2	31013010		松线架	loose thread stand	1
3	31009004		松线垫块	block	2
4	S04019		螺钉M4×12	screw	2
5	S04010		螺钉M4×5.5	screw	2
6	31013022		夹线器过线	loose line board	1
7	S04010		螺钉M4×5.5	screw	2
8	31012048		松线拉板	loose line board	1
9	31013007		过线架	loose line board	1
10	30127010		调节板簧	reset spring	1
11	30113007		二孔过线板	thread guide	5
12	31013008		松线板	loose line board	1
13	30103041	206202	调节套	spacer	5
14	3011300400	254010A9U	调线组件(强)	tension spring assembly (heavy)	3
15	3011300500	254010B9U	调线组件(中)	tension spring assembly	1
16	3011300600	254010C9U	调线组件(弱)	tension spring assembly (light)	1
17	301S30010	001817-2A	夹线延	screw stud	1
18	30128016	210319	夹线片	tension disc	2
19	20623008		松线夹线片垫	felt	1
20	21111096	208450-UA	调压止动盖	cup	1
21	30127011	301037	调压簧(强)	spring (heavy)	3
22	30111006	208448	调压止动套	ratchet	1
23	20111091	208447-UA	调压螺母	nut	1
24	30127012	201086	调压簧(中)	spring (medium)	1
25	30127013	201068	调压簧(弱)	spring (light)	1
26	S01004		螺钉 M4×7.8	screw	2



13、松线部件(二)/Thread loosening assemblies (two)

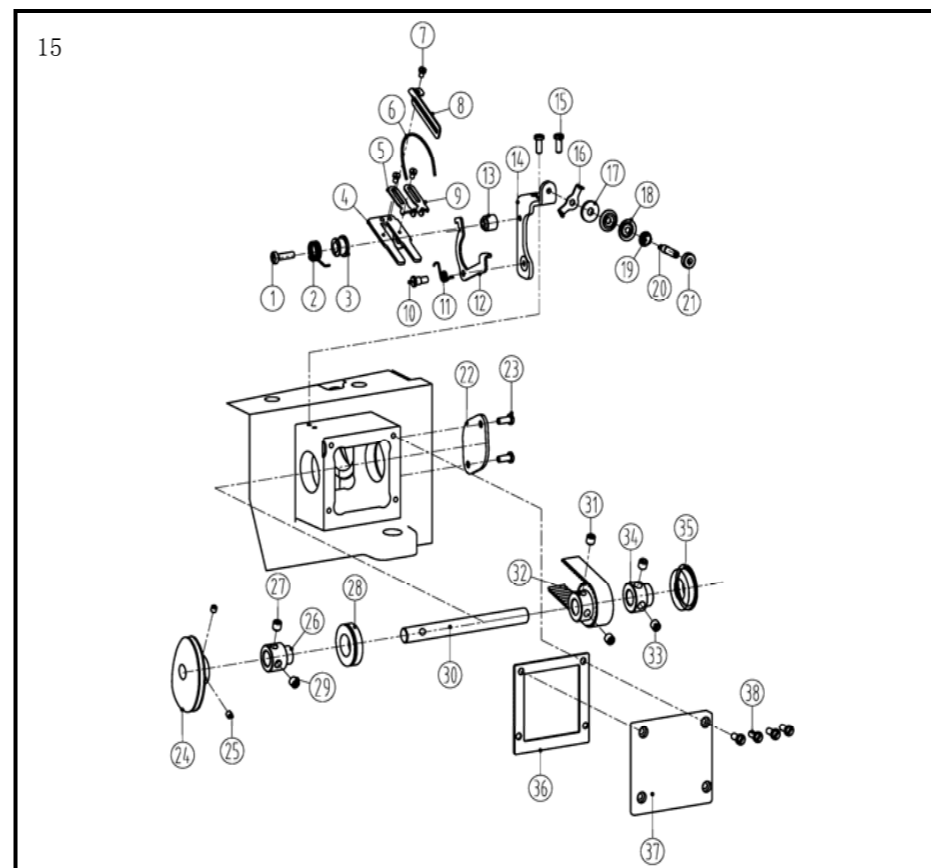
序号 No.	件号 Parts No.	参考件号 Ref. Part. No.	名称	Description	数量 Number
1	31027003		松线扭簧	loose wire torsion spring	1
2	S01004		螺钉M4×7.8	screw	1
3	31004002		松线曲柄	crank	1
4	31026003		轴位销	shaft pin	1
5	31003005		轴套	spacer	1
6	S04020		螺钉	screw	1
7	31029001		连接销	shaft pin	1
8	3102200300		剪断钢丝绳轴	wirerope	1
9	S01004		螺钉M4×7.8	screw	2
10	31028003		管座	holder	1
11	207S14009		螺钉M3×3	screw	6
12	S01007		螺钉M4×4	screw	5
13	31009002		小打线块	block	1
14	30129058		松线	thread releaser	1
15	3100200700		松线组件	thread releaser	1

16	H05006		卡簧	ring	2
17	207S14009		螺钉M3×3	screw	1
18	31002007		挑线杆	shaft	1
19	31009003		长打线块	block	1
20	S01004		螺钉M4×7.8	screw	2
21	31012025		钢丝固定片	plate	2
22	31012044		钢丝支撑板	plate	1
23	31012055		拉板	plate	1
24	H05006		卡簧	ring	1
25	31012057		拉板挡片	shim	1



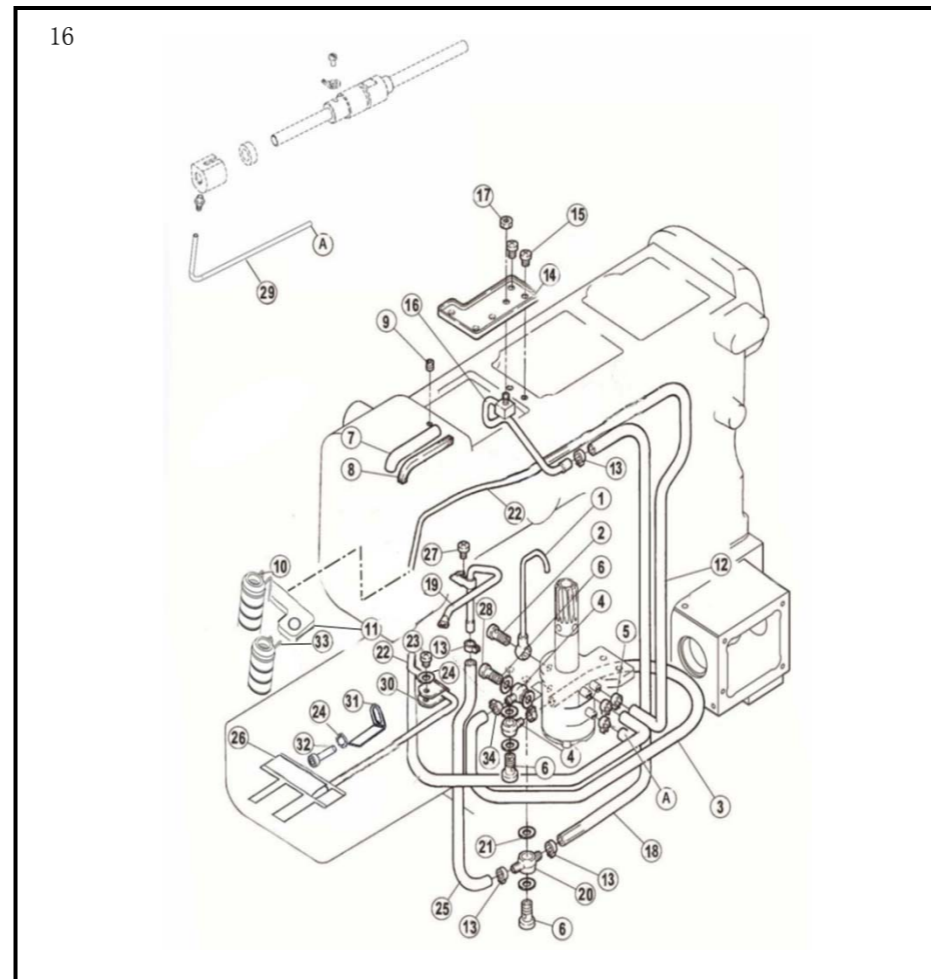
14、过线部件/Thread loosening assemblies

序号 No.	件号 Parts No.	参考件号 Ref. Part. No.	名称	Description	数量 Number
1	S01004	7019	螺钉M4×7.8	screw	5
2	31013006	253505A	长过线板	thread take-up	1
3	S05004	4501	螺钉M5×14	screw	1
4	W02001	303067	垫圈	washer	1
5	30101018	253504	过线座	lever	1
6	20622019		油封	plug	1
7	301S12001	5084	曲柄螺钉	screw	2
8	30108008	240201	过线座轴挡圈	ring	1
9	30128008		摆架轴垫圈	washer	1
10	31002001	253503	过线座轴(中轴)	shaft	1
11	30128019	204107	挑线轴垫圈4.5	washer	1
12	W02002	201252	M4垫圈	washer	1
13	S05048	4527	螺钉M4×10	screw	1
14	311S05001		针杆螺钉	screw	1
15	31013017	253507	针杆三孔过线	thread guide	1
16	31012022		护线罩	thread support	1
17	S01006		螺钉	screw	1
18	30128034		护线罩垫圈3.5	washer	1
19	31013005		针杆过线板	thread guide	1
20	206S30016	7170	螺钉	screw	2
21	S01004	7018	螺钉M4×7.8	screw	4
22	31012045		U型夹线座	thread tension bracket	1
23	30112032	253547	喂针二眼过线	thread guide	1
24	31012046	253548	喂针过线板	thread guide	1
25	31012018		长过线压板	thread guide	1
26	30112029	253514	喂针过线	thread guide	1
27	31013011	253515	过线板	thread guide	1
28	3101204600		喂针二眼过线组件	thread guide	1
29	S10001	4535	螺钉 M3×4	screw	3
30	30113012	253545	针杆过线座	holder	1
31	30113013	234521	过线杆	thread guide	3
32	30112027	253544	硅胶固定架	thread guide	1
33	W01001	303448	M4垫圈	washer	3
34	S01006	7009	螺钉M3×4.5	screw	2
35	302S14005		调压螺母	adjusting nut	1
36	301S30055		调压螺钉	adjusting screw	1
37	12927012	137109	夹线簧	spring	1
38	12928036	137108	夹线片	thread retainer	2
39	10128001		松线轴钉垫片	sticker	1



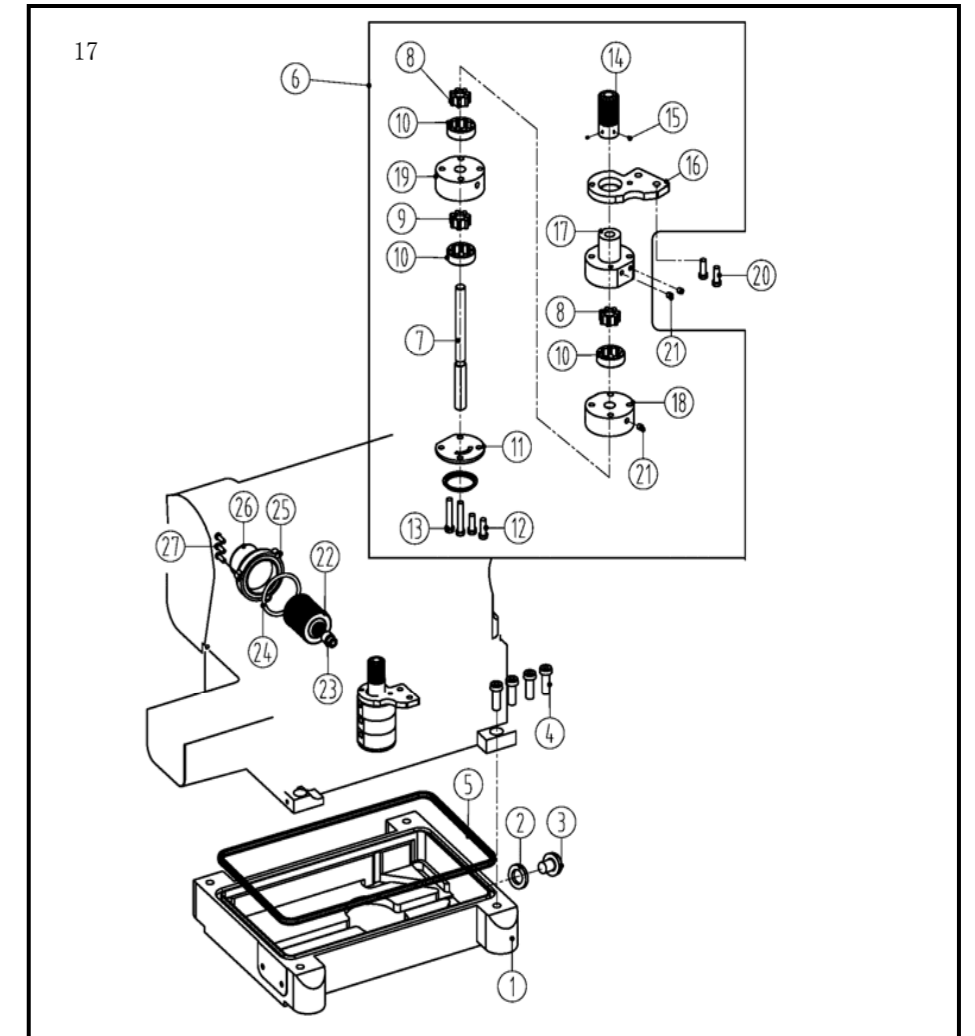
15、打线凸轮部件/Cam assemblies

序号 No.	件号 Parts No.	参考件号 Ref. Part. No.	名称	Description	数量 Number
1	S04004		螺钉M4×15	screw	1
2	30227016	1516	复位弹簧	reset spring	1
3	30208020	1520	打线架挡圈	Fight line retaining ring	1
4	30212068	1568	打线架组件	bracket	1
5	30313019		打线凸轮左过线	thread guide (left)	1
6	30123022		毛毡	Wool top	1
7	S01006	7009	螺钉M3×4.5	screw	3
8	30212084	1584	打线片	thread guide	1
9	30313020		打线凸轮右过线	thread guide (right)	1
10	310520007		螺钉	screw	1
11	31027002		限位片复位簧	reset spring	1
12	31012037		打线凸轮架扳手	fight line wrench	1
13	30208022	1522	打线凸轮架止动圈	stop	1
14	31012036		打线架安装板	layer	1
15	S01002	7017	螺钉M4×6.5	screw	2
16	30213024	167079	两眼过线	thread guide	1
17	10128001		松线轴钉垫片	sticker	1
18	12928036	137108	小夹线片	thread retainer	2
19	12927012	211388	夹线簧	spring	1
20	301S30055		调压螺钉	adjusting screw	1
21	302S16005		调压螺母	adjusting nut	1
22	31012034		打线凸轮盖	cover	1
23	S01002	7017	螺钉M4×6.5	screw	2
24	3101302700		打线凸轮组件(外移)	looper thread take-up	1
25	S10007		螺钉M4×4	screw	2
26	31008010		轴承套	collar	1
27	S10007		螺钉M4×4	screw	1
28	B04042		深沟球轴承(61902-ZNR)	bearing	1
29	S10007		螺钉M4×4	screw	1
30	31002012		凸轮轴	shaft	1
31	S10029	4547	螺钉M6×0.75×5	screw	2
32	30235027		凸轮轴小同步带轮	time belt	1
33	S10029	4547	螺钉M6×0.75×5	screw	1
34	30203038		凸轮轴轴承套	bushing	1
35	30224004		油封轴承(6902-ZNR)	bearing	1
36	31022011		凸轮座盖板垫	felt	1
37	303603		打线凸轮座盖板	cover	1
38	S01002	7017	螺钉M4×6.5	screw	4
39	S12003	4547	螺钉M6×0.75×7	screw	1



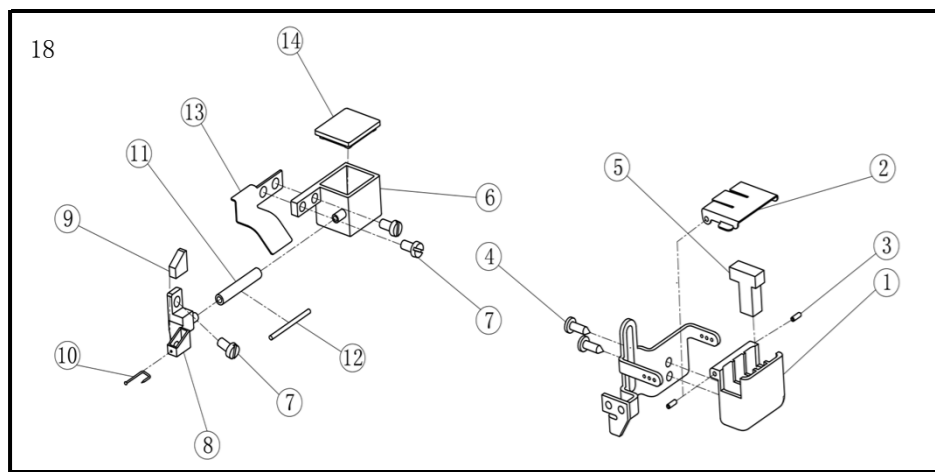
16、润滑部件/Lubrication assemblies

序号 No.	件号 Parts No.	参考件号 Ref. Part. No.	名称	Description	数量 Number
1	30136006	1609	润滑油接头	pipe	1
2	301S30012	255037	油管螺钉	screw	1
3	30121021	205113A	油管φ5×φ7	tube	1
4	20636001	200136	油管接头	joint	2
5	30129006	202199	油管卡簧(大)	clamp	3
6	301S30013	200152	过油螺钉	screw	2
7	30221003	255003	润滑油管	oil pipe	1
8	30123010	240136	油毡	felt	1
9	S10002	4514	螺钉 M5×5	screw	1
10	31027005		回油毡卡簧	back felt circlip	1
11	3102300100		针杆回油毡组件	The needle bar back felt	1
12	12921002	240006	φ3×φ5油管	screw	1
13	20429001	202199	油管卡簧	clamp	4
14	30112039	255006	接油盒	oil guard	1
15	S01002	7017	螺钉 M4×6.5	screw	2
16	3012101500	255007-91	喷油管	oil distributor	1
17	W01001	4821	螺母 M4	nut	1
18	12921005	240134	φ4×φ6油管	tube	1
19	3022100800	255094-91	油管组件	oil splash pipe	1
20	30136005	255123	双头油管接头	joint	1
21	20122033		垫片	washer	6
22	12921002		φ3×φ5油管	screw	1
23	S04010	7018A	螺钉 M4×5.5	screw	2
24	W01001		垫片	sticker	2
25	30221023		回油管	pipe	1
26	30223022		机座回油毡	felt	1
27	S01002	7018	螺钉M4×6.5	screw	1
28	201S30004		过油螺钉	joint screw	1
29	12921002		φ3×φ5油管	tube	1
30	20712055		油管夹	tubing clamps	1
31	30227040		固定板	screw	1
32	S05048		螺钉	screw	1
33	30127060		毛毡卡簧	back felt circlip	1
34	30129006		油管卡簧(大)	clamp	2



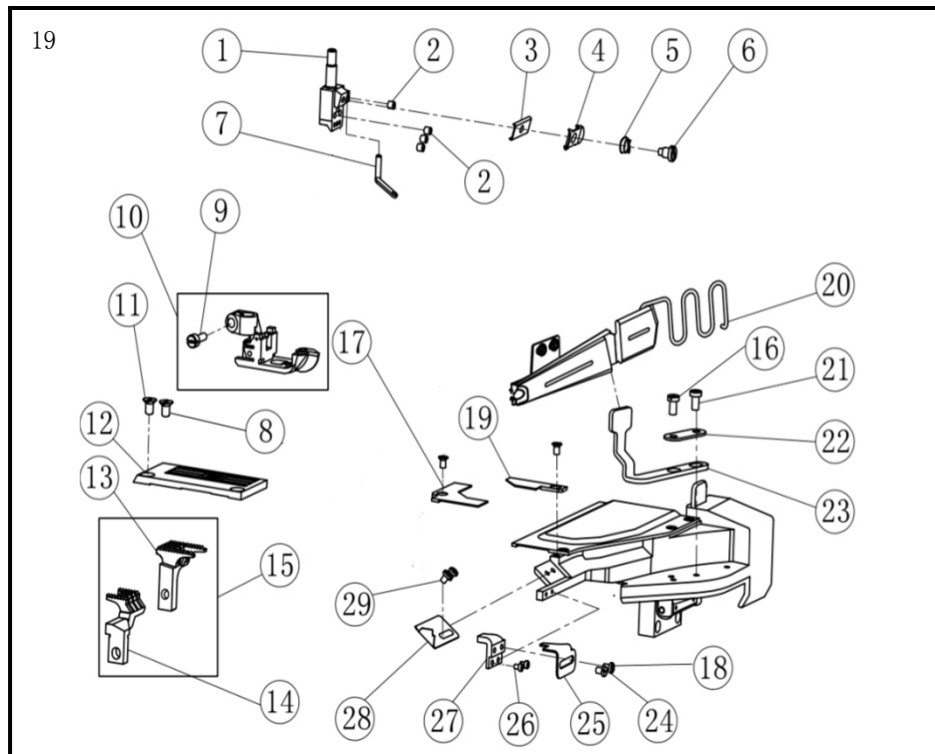
17、油泵部件/Oil pump assemblies

序号 No.	件号 Parts No.	参考件号 Ref. Part. No.	名称	Description	数量 Number
1	30201029	225041	油盒	oil reservoir	1
2	20528014	202287A	垫圈	washer	1
3	301S11015	51388	培油螺钉	screw	1
4	S05007	4504	螺钉 M8×20	screw	4
5	30222014	255042	油盒密封圈	o ring	1
6	3022000300	1722	油泵组件	oil pump assy	1
7	30102044	255024	油泵轴	shaft	1
8	30120030	1730	主动轮	rotor	2
9	30120030	1730	主动轮	rotor	1
10	30120031	255027	从动轮	rotor	3
11	30120008	255028	油泵盖	cover	1
12	301S20011	7105	油泵螺钉	screw	2
13	302S13002	1713	油泵螺钉	screw	2
14	30125003	255019	油泵蜗轮	worm wheel	1
15	S10002	4514	螺钉 M5×5	screw	2
16	30120002	W17-4	油泵固定板	oil pump fixed plate	1
17	30220002	1714	油泵体(上)	pump body	1
18	30120009	1719	油泵体(中)	pump body	1
19	30120003	1720	油泵体(下)	pump body	1
20	S05004	4534	螺钉 M5×12	screw	2
21	301S30014	205111	过油螺钉	joint screw	3
22	20136004	206233	滤油器	oil filter	1
23	201S30030	210200	螺钉	screw	1
24	001010	206431	O型圈φ38.7×3.55	O ring	1
25	300140	210201-PD	滤油器盖	cover	1
26	30131004	9A3002	提示说明	filter seal	1
27	S01003	7021	螺钉M4×12	screw	3



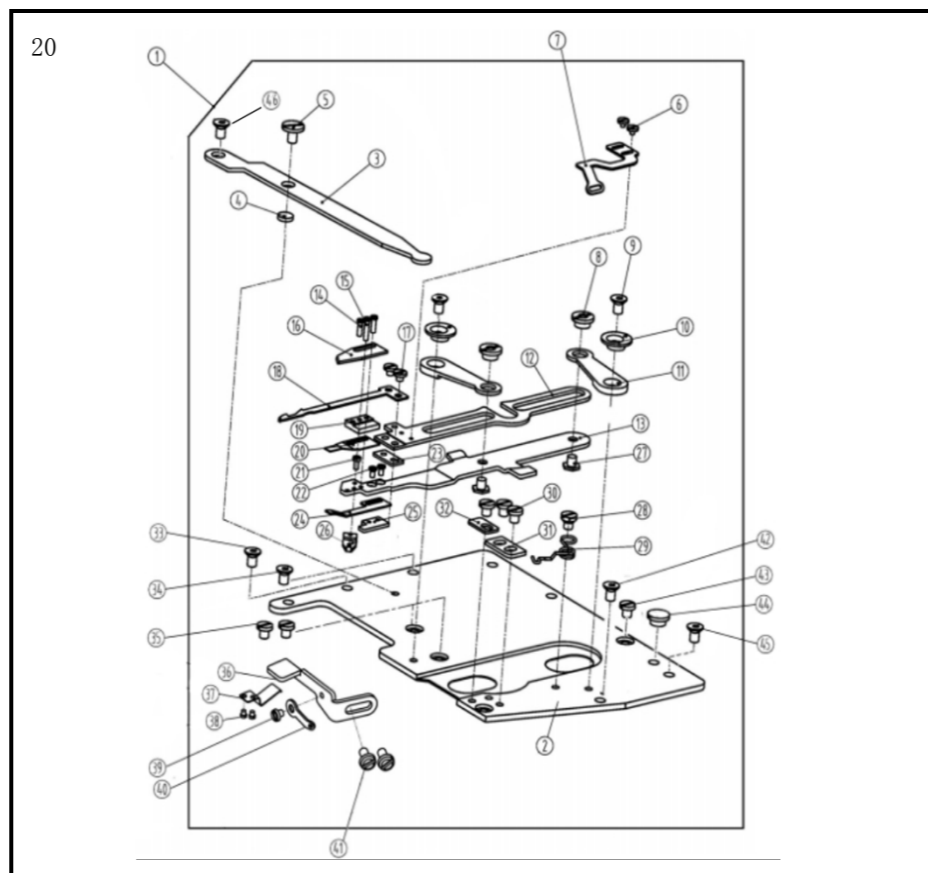
18、硅油盒装置/Silicone oil delice assemblies

序号 No.	件号 Parts No.	参考件号 Ref. Part. No.	名称	Description	数量 Number
1	3011070		上硅油盒	silicone oil reservoir (upper)	1
2	30112040	207067-PD	上硅油盒盖	cap	1
3	P03008	206781	销 2x6	pin	2
4	S16002	7009	自攻螺钉 ST3.5x8	screw	2
5	30123011	207068	硅油棉	felt	1
6	30201075	1075	下硅油盒	silicone oil box	1
7	S01004	7019	螺钉 M4x7.8	screw	3
8	30201014	255107	固定架	needle cooler (lower)	1
9	30223005	240247	硅油棉	felt	1
10	30126009	210766	销	pin	1
11	12921002	240246	维尼龙油管	tube	1
12	20123021	202175	JK8568油线	oil wick	1
13	30212666	2666	硅油盒挡板	silicone oil box baffle	1
14	30222028	2028	下硅油盒盖	silicone oil box cover	1



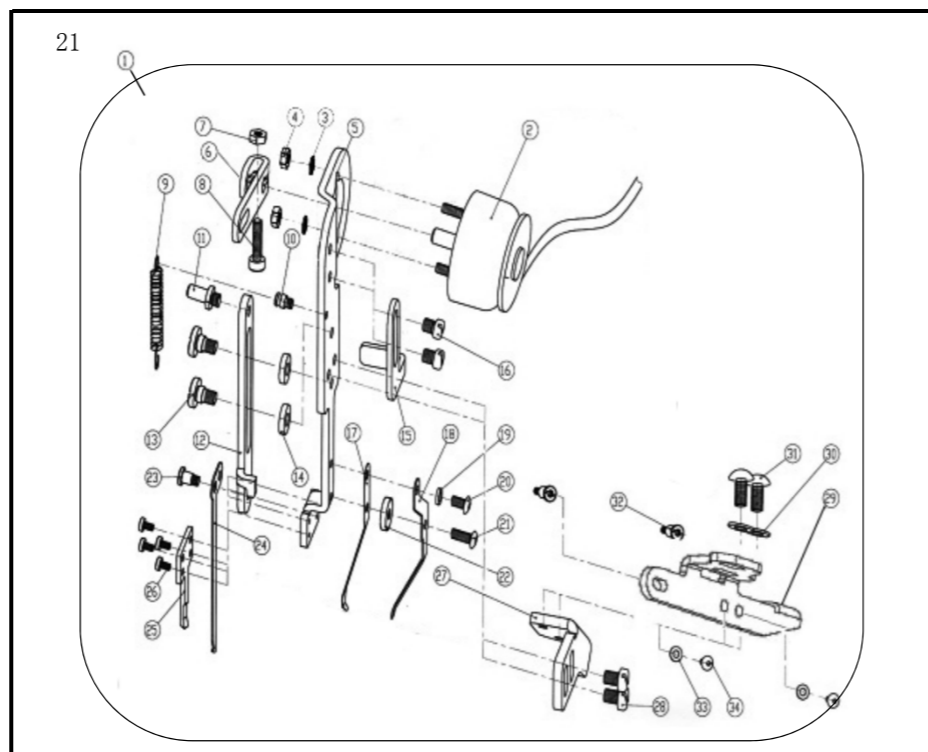
19、针位组专用件/Gauge set specific parts

序号 Ref. No.	公同件号 Part No.	参考件号 Ref. Part. No.	名称	Description	数量 Number
1	30134001		356针舌	needle holder	1
2	30134002		364针舌	needle holder	1
3	S10026	4554	螺钉M3x3	screw	4
4	30112025	234561	尖线板	thread guide	1
5	30112026	253593	压板	tension disc	1
6	30127014	253517	调压簧	spring	1
7	301S20009	0W09070-2	调线螺钉	screw	1
8	30112033	253511	喂针小过线	thread guide	1
9	302S17001		螺钉(进口)	screw	1
10	301S11010	1170-3	压脚固定螺钉	screw	1
11	3021601000		压脚(O1GB)	presser foot assy(O1GB)	1
12	30116005		压脚(O2BB*356)	presser foot assy(O2BB*356)	1
13	30116006		压脚(O2BB*364)	presser foot assy(O2BB*364)	1
14	302S17001		螺钉(进口)	screw	1
15	30115067		356针板(O1GB)	needle plate(O1GB*356)	1
16	30115068		364针板(O1GB)	needle plate(O1GB*364)	1
17	30115006		356针板(O2BB)	needle plate(O2BB*356)	1
18	30115007		364针板(O2BB)	needle plate(O2BB*364)	1
19	30214001		送布牙(O1GB)	main feed dog(O1GB)	1
20	30214002		差动牙(O1GB)	diff feed dog(O1GB)	1
21	3021400100		送布差动牙组件(O1GB)	main feed dog and diff feed dog(O1GB)	1
22	30214008		送布牙(O2BB)	main feed dog(O2BB)	1
23	30214009		差动牙(O2BB)	diff feed dog(O2BB)	1
24	S01011		螺钉M5x10	screw	1
25	31012083		缝合板(O2BB专用)	sewing block	1
26	S04021		螺钉M4x4	screw	1
27	31012082		前罩盖台盖拼块(O2BB专用)	front cover joint	1
28	3011206800		龙头组件	Faucet assembly	1
29	S01011		螺钉M5x10	screw	1
30	30112063		龙头架垫	Head pad	1
31	31012085		龙头架	Leading frame	1
32	S04021		螺钉M4x4	screw	1
33	31012086		前罩台挡板	Front baffle	1
34	S01006		螺钉M3x4.5	screw	2
35	303929		前罩台挡板座	mounting seat	1
36	31012087		缝料挡板	Slit baffle	1
37	S04021		螺钉M4x4	screw	2



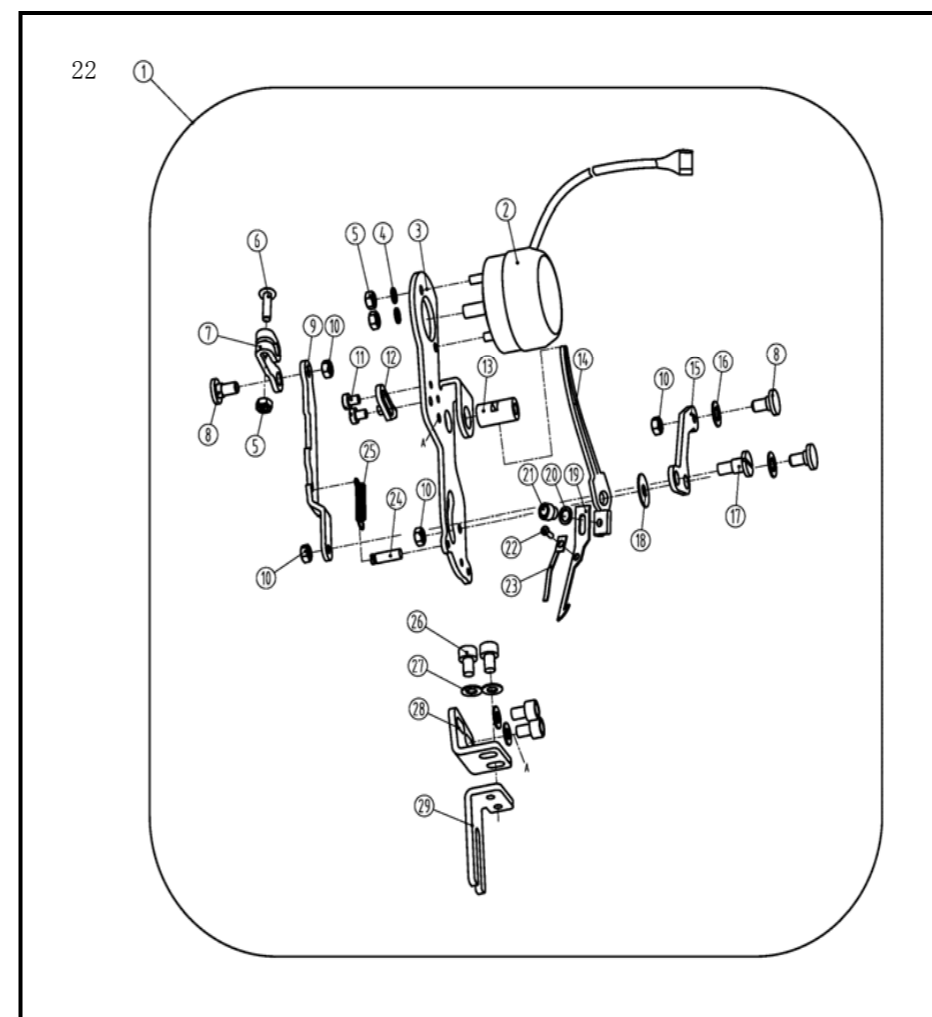
20、下剪线部件/Knife holder assemblies

序号 No.	件号 Parts No.	参考件号 Ref. Part. No.	名称	Description	数量 Number
1	3021900700		下切刀组件	slice knife components	1
2	30212156		刀盘底板	the knife dish plate	1
3	30212246		摆杆	swinging rod	1
4	30212116		垫片	washer	1
5	302S30022		螺钉M4x4	screw	2
6	S01091		螺钉M2x2.3	screw	2
7	30213046		UT松线片	UT pine line piece	1
8	30203112		刀架固定套	rest a fixed set	2
9	S14002		内六角沉头螺钉M4x4	screw	2
10	30203113		刀架转动套	head rotating sleeve	2
11	30212225		刀架连杆	head connecting rod	2
12	30212255		上刀架	on the rest	1
13	30212256		下刀架	under the rest	1
14	S01197		开槽圆柱头螺钉M2x6	screw	2
15	S01198		开槽圆柱头螺钉M2x10	screw	1
16	30219009		定刀	stationary knife	1
17	S01196		开槽圆柱头螺钉M3x3	screw	2
18	30219008		动刀	dynamic knife	1
19	30212328		定刀固定块	stationary knife fixed block	1
20	30212327		压板(二)	bracket	1
21	S01199		开槽圆柱头螺钉M2x3	screw	1
22	S02165		开槽沉头螺钉M2x3	screw	2
23	30212329		垫板	plat	1
24	30212326		压板(一)	bracket	1
25	30212324		垫块(一)	block	1
26	30212325		垫块(二)	block	1
27	302S12002		外六角螺钉M4x4	screw	2
28	302S20015		螺钉M4x2.5	screw	1
29	30227124		复位弹簧	reset spring	1
30	S01195		开槽圆柱头螺钉M4x3	screw	3
31	30212257		限位板	the limit board	1
32	30212245		上刀架挡板	rest on the baffle	1
33	L02001		螺栓M4x8	screw	1
34	302S10011		刀盘定位螺钉	screw	1
35	301S11024		滑块导座螺钉	screw	2
36	30212161		支撑板	support plate	1
37	30212240		弹簧片	leaf spring	1
38	S01091		螺钉M2x2.3	screw	2
39	208S11007		螺钉	screw	1
40	20613008		过线	thread guide	1
41	S01004		螺钉M4x7.8	screw	2
42	302S10011		刀盘定位螺钉	screw	1
43	301S11024		滑块导座螺钉	screw	1
44	31022016		减震垫	cushioning	1
45	L02001		螺栓M4x8	screw	1
46	302S20014		螺钉	screw	1



21、上剪线部件/Knife Holder Assemblies

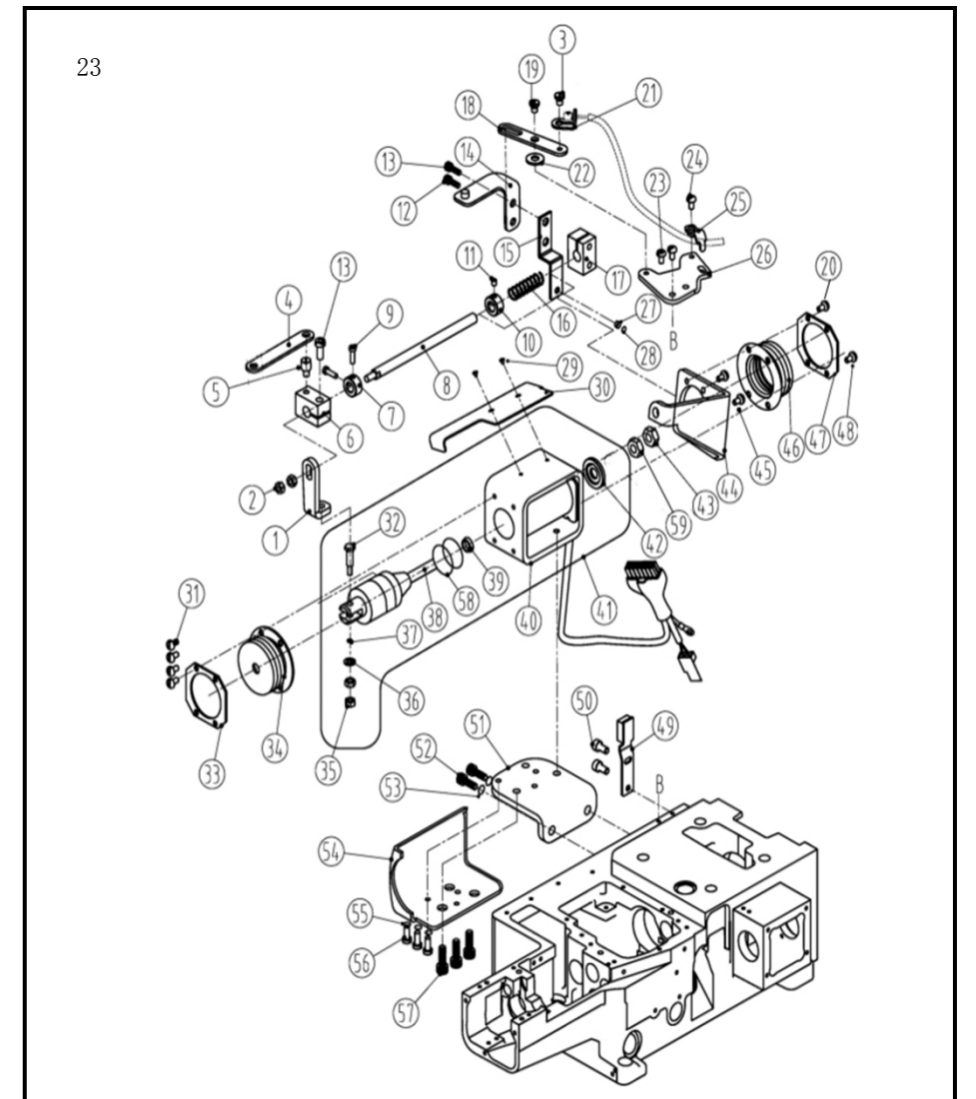
序号 No.	件号 Parts No.	参考件号 Ref. Part. No.	名称	Description	数量 Number
1	3101900100		上切刀组件	knife holder assembly	1
2	31030005		电磁铁组件	solenoid assembly	1
3	W02025		弹性垫圈	washer	2
4	N01013		螺母	nut	2
5	30112118		刀座安装底板	install plat	1
6	30112251		刀座衬板	plat	1
7	N01013		螺母	nut	1
8	S05114		螺钉	screw	1
9	30127039		弹簧	spring	1
10	301S30036		螺钉	screw	1
11	301S30037		螺钉	screw	1
12	30112120		刀架滑板	plat	1
13	301S20021		螺钉	screw	2
14	30112121		刀架刀座连接垫片	washer	2
15	30112122		限位板	plat	1
16	S01087		螺钉M3.5x4	screw	2
17	30112123		上切刀刀压片一	presser plat	1
18	30112124		上切刀刀压片二	presser plat	1
19	W01005		垫片	washer	1
20	301S30038		螺钉	screw	1
21	301S30039		螺钉	screw	1
22	301S16014		上切刀刀调节螺母	nut	1
23	301S20022		螺钉	screw	1
24	30119008		上切刀刀片	plat	1
25	30119009		上切刀定刀	thread wiper	1
26	S01088		开槽圆柱头螺钉M2x3.5	screw	4
27	30112125		刀架安装连接板	install plat	1
28	S01089		螺钉M4x5.5	screw	2
29	31012014		安装板	install plat	1
30	W01006		垫片	washer	2
31	S05304		开槽平端固定螺钉SM1/8"x44	screw	2
32	301S30041		螺钉	screw	2
33	W01006		垫片	washer	2
34	S05304		螺钉	screw	2



22、接线器部件/Top wiper assemblies

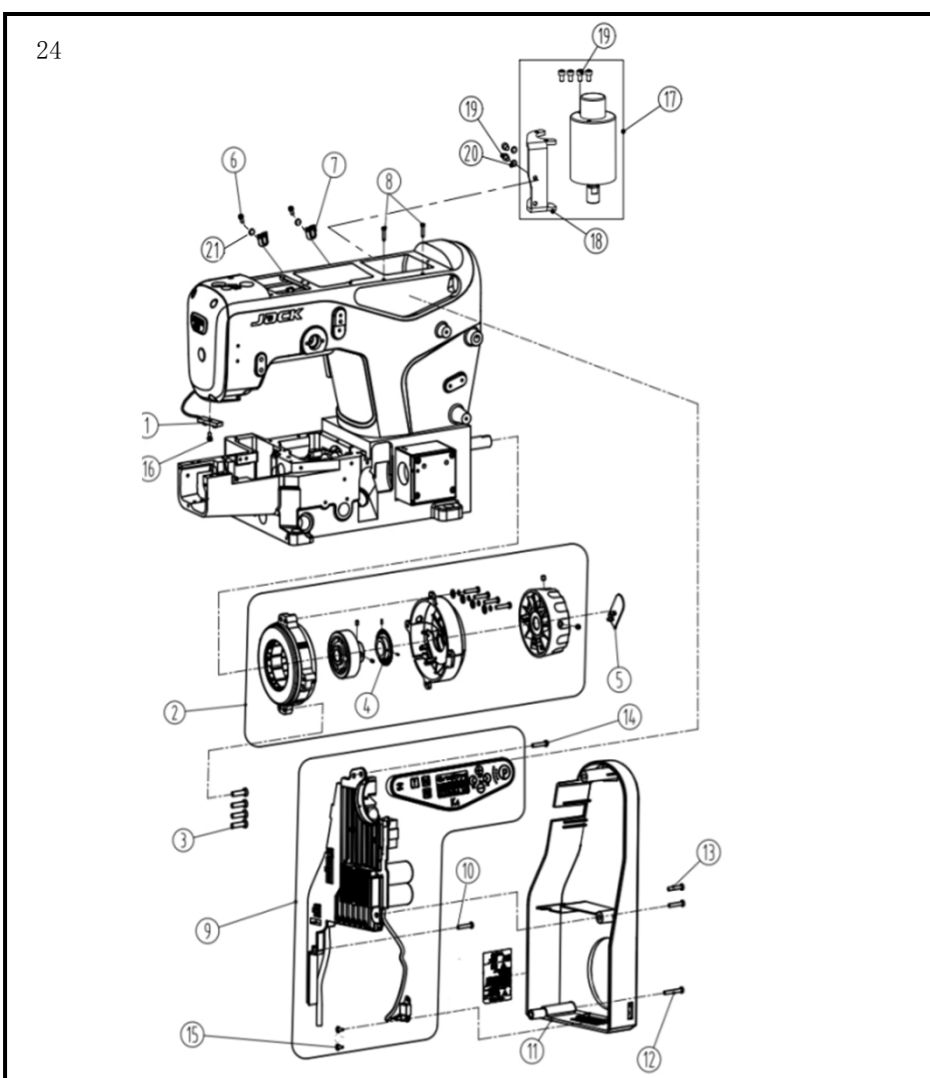
序号 No.	件号 Parts No.	参考件号 Ref. Part. No.	名称	Description	数量 Number
1	3101900200		接线器组件	cable assembly	1
2	31030005		电磁铁组件	electromagnet assembly	1
3	30109088		安装板	mounting plate	1
4	42428008		弹簧垫圈	spring washer	2
5	N01013		螺母M3	nut	3
6	S05032		内六角平圆头螺钉M3x12	screw	1
7	30104070		曲柄	crank	1
8	301S20055		接线器转动曲柄轴位螺钉	screw	3
9	30105066		连杆	connecting rod	1
10	N01006		螺母M4	nut	4
11	417S15007		螺钉	screw	2
12	30109088		挡块	block	1
13	30126034		转动销	rotating pin	1
14	30102156		曲柄	crank	1
15	30104076		曲柄	crank	1
16	W01048		垫片	washer	2
17	301S20056		接线器连杆轴位螺钉	screw	1
18	W01049		垫片	washer	1
19	30112203		勾线片	cancel the piece	1
20	W01050		垫圈3	washer	1
21	S05047		螺钉M3x4	screw	1
22	S01097		螺钉M2x2	screw	1
23	30112204		弹簧片	leaf spring	1
24	301S01005		螺钉	screw	1
25	30127061		接线器定位簧	spring	1
26	421S13005		螺钉	screw	4

27	W01051		垫圈4	washer	4
28	30112261		固定板	Fixed plate	1
29	31012049		安装板	Fixed plate	1



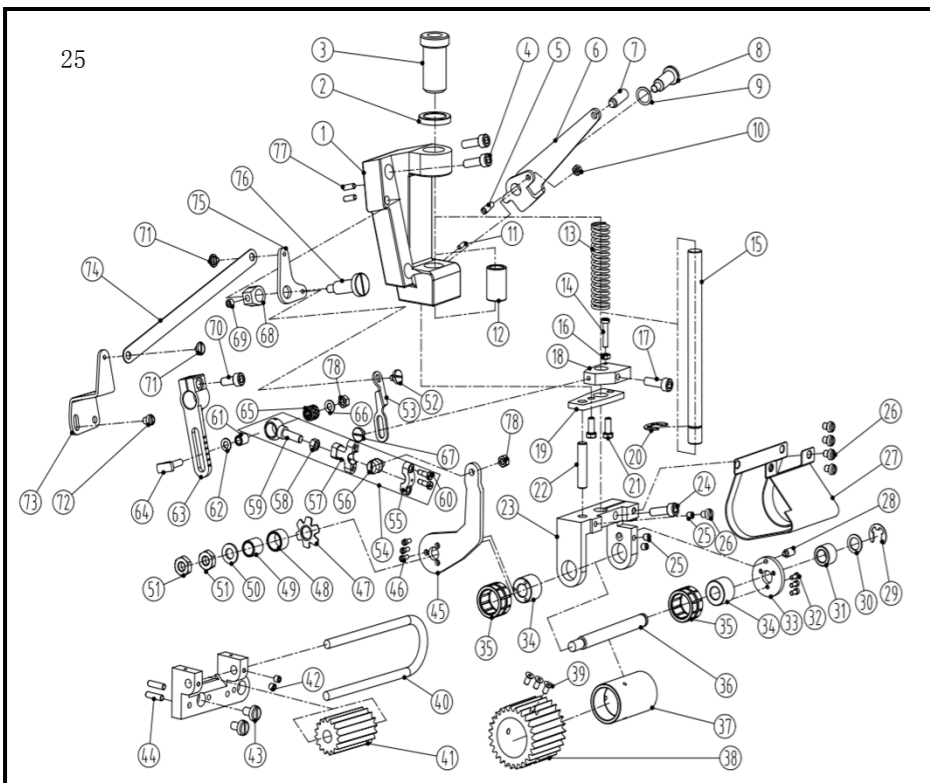
23、剪线电磁铁部件/Solenoid assemblies

序号 No.	件号 Parts No.	参考件号 Ref. Part. No.	名称	Description	数量 Number
1	30212183		连接板	bed pin	1
2	N01012		螺母M6	pin	2
3	302S20014		螺钉	screw	1
4	30212190		连杆	bed pin	1
5	301S20030		螺钉	screw	1
6	30104066		曲柄块	fixed block	1
7	30108004		挡圈	plug	1
8	30102111		导向轴	washer	1
9	301S11023		螺钉	screw	2
10	30108006		挡圈	retaining ring	1
11	201S14002		螺钉	screw	1
12	S05068		螺钉	screw	1
13	S05068		螺钉	screw	2
14	3101207300		推板组件	dead plate	1
15	31012090		感应支架	stents	1
16	30127058		弹簧	cscrew	1
17	30104066		曲柄块	sticker	1
18	31012071		换向杆	the reversing lever	1
19	310S20008		轴位螺钉	screw	1
20	S04019		螺钉M4x12	screw	1
21	31012072		钢丝绳拉板	pull	1
22	31012077		换向垫片	spacer	1
23	S01004		螺钉M4x7.8	screw	2
24	S01004		螺钉M4x7.8	screw	1
25	31012025		钢丝固定片	stator	1
26	31012070		安装板	dead plate	1
27	30112108		安全开关铜片	sheet copper	1
28	30130017		磁铁	magnetic iron	1
29	301S11040		螺钉M4x3	screw	2
30	303959		剪线电磁铁盖板	cover	1
31	S04010		螺钉M4x5.5	screw	4
32	114S20005		螺钉	screw	1
33	30112185		防尘压板	dust depressor	1
34	30127105		防尘罩	dust cover	1
35	114S16008		螺母	nut	2
36	W01006		垫片	gasket	1
37	W02002		弹性垫圈	gasket	1
38	30130046		电磁铁芯	electromagnetic iron core	1
39	11322008		减震垫	cushioning	1
40	31030007		剪线电磁铁框	electromagnet box shear line	1
41	3103000700		剪线电磁铁组件	connect the wire	1
42	13822010		电磁铁下垫片	gasket	1
43	302S10010		螺母M8	nut	1
44	30212184		支架	stents	1
45	S01004		螺钉M4x7.8	screw	2
46	30122108		防尘罩	dust cover	1
47	30112188		防尘压板	dust depressor	1
48	S04019		螺钉M4x12	screw	1
49	31030013		安全开关	safety switch	1
50	S04010		螺钉M4x5.5	screw	2
51	30212182		下安装板	dead plate	1
52	S05019		螺钉	screw	2
53	W02004		弹性垫片	gasket	2
54	31011010		电磁铁罩壳	cover	1
55	W01001		垫片	gasket	3
56	S01004		螺钉M4x7.8	screw	3
57	S05005		螺钉M5x12		



24、电控部件/Electronic control assemblies

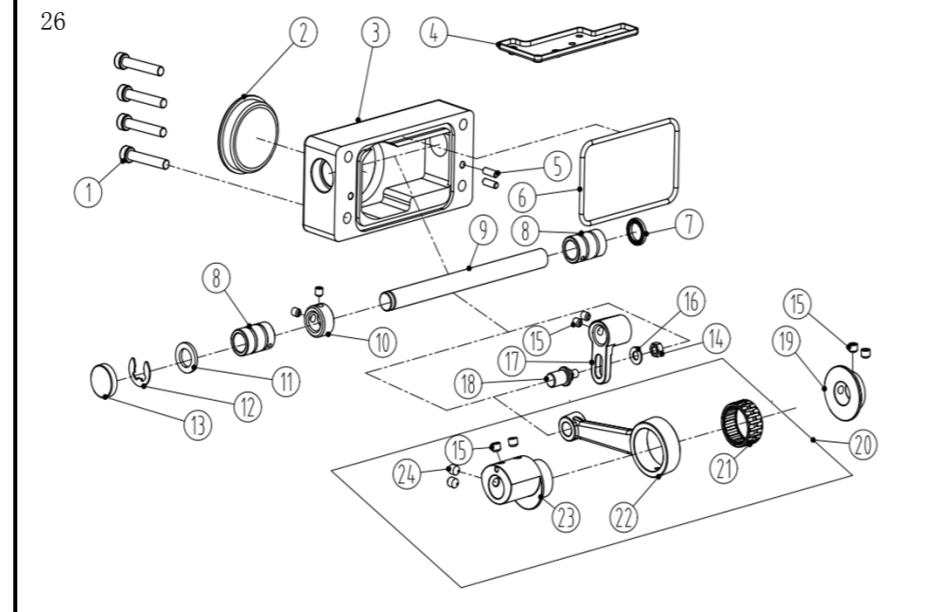
序号 No	件号 Parts No.	参考件号 Ref. Part. No.	名称	Description	数量 Number
1	3103001000		LED灯	LED light	1
2	3103300100		增强光电伺服电机	electrical machine	1
3	S05068		螺钉M5x20	screw	4
4	95300018		光栅组件	plug	1
5	21111018		塑料 logo	logo	1
6	207S11007		螺钉M4x7.5	screw	2
7	20711210		线夹	clip	2
8	310S17001		螺钉	screw	2
9	3103000500		电控组件	electrically controlled	1
10	S05068		螺钉M5x20	screw	1
11	31011002		电控罩壳	electrically controlled housing	1
12	302S13001		螺钉M5x35	screw	1
13	S05004		螺钉M5x14	screw	2
14	S05003		螺钉M5x10	screw	1
15	S16002		自攻螺钉 ST3.5x8	screw	2
16	S05190		螺钉M3x6	screw	1
17	3103001100		抬压脚电磁铁组件	electromagnet assembly	1
18	30112241		支架	stents	1
19	413S13005		螺钉	screw	6
20	W02004		弹性垫片	washer	2
21	W01001		垫片	washer	2



25、后拖轮部件/After cam assemblies

序号 No	件号 Parts No.	参考件号 Ref. Part. No.	名称	Description	数量 Number
1	31175		压脚架	finger screw	1
2	305S16006		螺母M20	nut	1
3	305S30006		调节螺钉	screw	1
4	S05031		螺钉M6x20	screw	2
5	305S11014		螺钉	screw	1
6	3051205100		调节板	plate	1
7	30226050		曲柄销钉	pin	1
8	305S20013		螺钉	screw	1
9	30528012		波形垫片	washer	1
10	W01001		螺母	nut	1
11	30526023		销	pin	1
12	30503031		铜套	sleeve	1
13	30527011		弹簧	spring	1
14	S01018		螺钉M4x20	screw	1
15	30502022		轴	shaft	1
16	W01001		螺母M4	nut	1

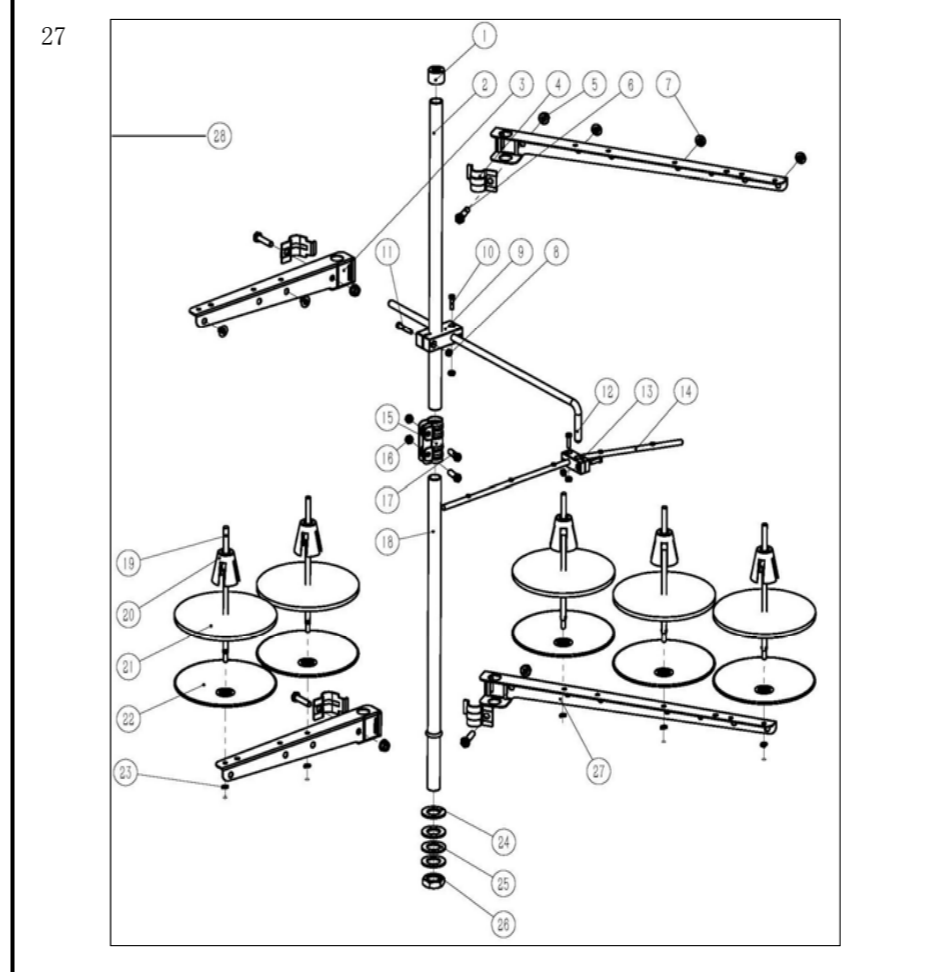
17	S05031		螺钉M6x20	screw	1
18	30212102		压板	plate	1
19	30212104		调节板	plate	1
20	H05010		挡圈12	ring	1
21	L02012		螺栓M5x12	screw	2
22	30526020		销	pin	1
23	30201100		压轮架	roller frame	1
24	S05031		螺钉M6x20	screw	1
25	S09008		螺钉M5x5	screw	3
26	S01065		螺钉M5x6	screw	4
27	30512054		挡板	plate	1
28	305S11012		螺钉	screw	1
29	H05011		挡圈9	ring	1
30	W01026		垫片	washer	1
31	31003010		轴套(左)	sleeve	1
32	305S11002		螺钉	screw	3
33	30512057		压板	plate	1
34	30503063		轴承套	bushing	2
35	B07048		滚针轴承K26x20x16	needle bearing	2
36	30202101		轴	shaft	1
37	30203103		出轮套	sleeve	1
38	30225103		齿轮	gear wheel	1
39	207S13007		螺钉	screw	3
40	30202100		U型轴	U shaft	1
41	30225101		齿轮	gear wheel	1
42	S10027		螺钉M5x5	screw	2
43	S01060		螺钉M6x10	screw	2
44	30226004		销	pin	2
45	30512055		冲压件铁臂	stamping Tiebi	1
46	305S11002		螺钉	screw	3
47	30512056		蝶形卡簧	butterfly spring	1
48	31003011		轴套(右)	sleeve	1
49	30503036		铁套	sleeve	1
50	W01010		平垫圈8	washer	1
51	W01008		螺母8	nut	2
52	305S20012		螺钉	screw	1
53	30212103		连接板	plate	1
54	3050501700		连杆组件	connecting rod assembly	1
55	30505018		连杆	connecting rod	1
56	305S30007		球曲柄螺钉	screw	1
57	30505019		连杆	connecting rod	1
58	305S16008		螺母M6	nut	1
59	30505020		连杆	connecting rod	1
60	305S20014		螺钉	screw	1
61	30503034		铁套	sleeve	1
62	W01004		平垫圈5	washer	1
63	30504015		曲柄	link	1
64	305S30009		螺钉	screw	1
65	B07011		滚针轴承K8x11x10	needle bearing	1
66	W01004		平垫圈5	washer	1
67	W01004		螺母M5	nut	1
68	30208001		挡块	rod	1
69	S10029		螺钉M6x0.75x5	screw	1
70	S05037		螺钉M6x15	screw	1
71	302S20014		螺钉	screw	2
72	S01065		螺钉M5x6	screw	1
73	31012114		后拖轮驱动板	plate	1
74	31012115		拉板	plate	1
75	31012116		后拖轮拉板	plate	1
76	310S20015		轴位螺钉M6	screw	1
77	30226004		销子	pin	2



26、后拖轮架部件/After fight cam assemblies

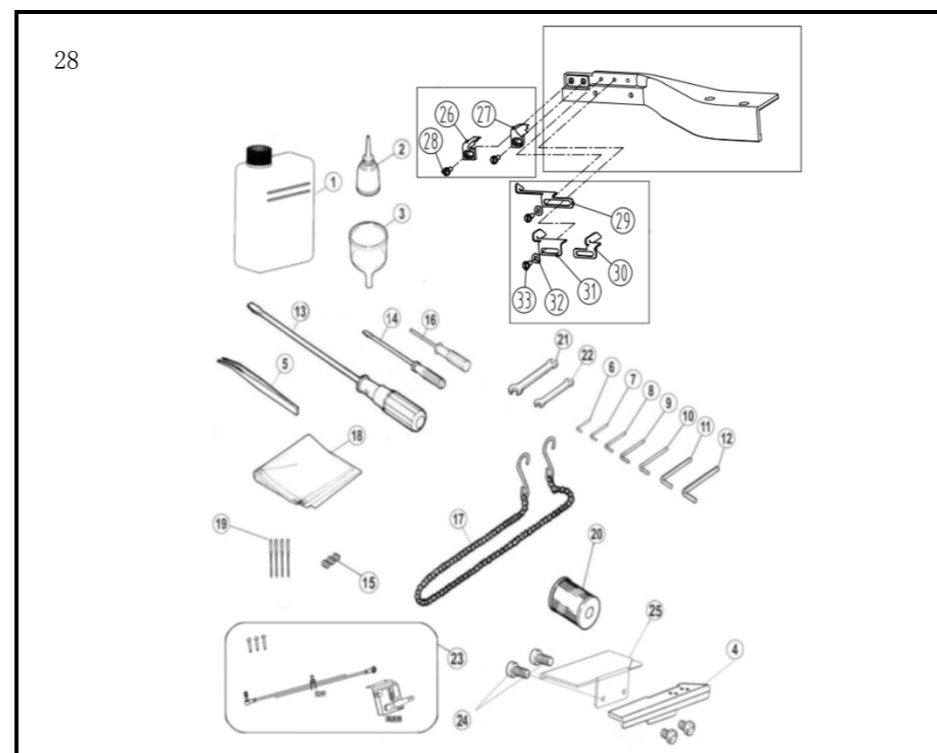
序号 No	件号 Parts No.	参考件号 Ref. Part. No.	名称	Description	数量 Number
1	207S13004		螺钉M6x35	screw	4
2	30522069		油封	plug	1
3	301175		后盖(喷漆)	rear cover	1
4	30212023		接油盘	oil guard	1
5	P03002		弹性圆柱销	pin	2
6	30522070		后盖密封圈	o ring	1
7	20122021		油封	plug	1
8	20103020		送布轴套	sleeve	2
9	30502045		拖轮轴	shaft	1
10	30508001		挡圈	ring	1
11	30128015		挡圈	washer	1
12	H03006		挡圈10	ring	1
13	30522019		油封	plug	1
14	W01004		螺母M5	nut	1
15	S10029		螺钉M6x0.75x5	screw	6
16	W01004		挡圈	washer	1
17	30504035		曲柄	crank	1
18	30126006		连杆销	pin	1
19	30503060		轴套	sleeve	1
20	3050502600		连杆组件	connecting rod assembly	1
21	30224001		滚针轴承28x24x13	needle bearing	1
22	30505025		连杆	connecting rod	1

23	30503061		连杆轴套	sleeve	1
24	S12003		螺钉M6x0.75x7	screw	2



27、线架部件/Thread Spool Assemblies

序号 Ref. No	公司件号 Part No	参考件号 Ref. Part. no	名称	Description	数量 Number
1	20131019		棒帽	Rod cap	1
2	21131008		上管	Upper thread column	1
3	21131009		导线架(短)	Thread spool tray bracket	1
4	20131011		导线环	Thread guide hook	1
5	201S16006		导线环螺母	Thread guide hook nut	4
6	201S12008		导线环螺钉	Screw	4
7	20131018		过线环	Thread guide hook	5
8	201S16004		螺母	Nut	9
9	21131010		导线棒固定块	Clamp plate	1
10	20131021		棒架螺钉	Screw	3
11	20131022		棒架螺母	Screw	1
12	20131011		导线棒	Thread guide bar	1
13	21131013		导线棒固定块	Clamp plate	1
14	20131036		过线棒	Thread guide	2
15	21131014		套	Bushing	1
16	W01030		套螺母	Nut	2
17	S04050		螺钉 M5x19	screw	2
18	21131018		下管	Lower thread column	1
19	20131006		线轴棒	Spool pin	5
20	21131015		线圈定位套	Spool Gushion	5
21	20131010		线盘垫	Spool tray cushioning	5
22	21131018		下管	Upper thread column	1
23	20128018		线盘垫圈	Washer	5
24	20122049		橡胶垫圈	Plate dog link washer	2
25	20128025		下管垫圈	Lower Washer	2
26	201S16005		下管固定螺母	Nut	1
27	21131012		导线架(长)	screw	2
28	2113100500		C4-2340线架组件(五线)	thread stand component	1



28、附件/Accessories assemblies

序号 Ref. No	公司件号 Part No	参考件号 Ref. Part. no	名称	Description	数量 Number
1	20131037		油壶(大)	oil container	1
2	20131038		小油壶(尖嘴)	oiler	1
3	20131039		漏斗	oil funnel	1
4	31012053		操作台(右)	machine table(right)	1
5	20131051		镊子	tweezers	1
6	30131007		内六角扳手(1.5mm)	allen key driver/1.5mm	1

7	20131046		内六角扳手(2mm)	allen key driver/2mm	1
8	30131010		内六角扳手(2.5mm)	allen key driver/2.5mm	1
9	30131012		内六角扳手(3mm)	allen key driver/3mm	1
10	20131047		内六角扳手(4mm)	allen key driver/4mm	1
11	20131056		内六角扳手(5mm)	allen key driver/5mm	1
12	30131026		内六角扳手(6mm)	allen key driver/6mm	1
13	20731047		螺丝刀(大)	screwdriver (large)	1
14	3111004		螺丝刀(小)	screwdriver (small)	1
15	S10005		螺钉 M3x3	screw	3
16	20131044		内六角扳手(1.5mm直柄)	allen key driver/1.5mm	1
17	30131018		链条(非直驱、DI专用)	chain	1
18	10131005		机头罩	dust cover	1
19	3117001		机针	needle	4
20	20136001		滤油器	filter element	1
21	30131005		扳手(6mm-7mm)	wrench/(7mm-9mm)	1
22	30131006		扳手(8mm-10mm)	wrench/(8mm-10mm)	1
23	3103000500		直接控制器配件	dl Special Part	1
24	S01060		螺钉 M6x10	screw	4
25	31012054		操作台(左)	machine table(left)	1
26	30201020		送料右挡块	Fabric guide(right)	1
27	30201019		送料左挡块	Fabric guide(left)	1
28	S01009		螺钉M3x7.5	screw	2
29	31012033		送料左挡板	Fabric plate(left)	1
30	31012043		送料右挡板II	Fabric plate(right)	1
31	31012035		送料右挡板I	Fabric plate(right)	1
32	W01002		M3垫片(普通)	bracket assembly	2
33	S01009		螺钉M3x7.5	screw	2

杰克缝纫机股份有限公司

杰克缝纫机

全球销量遥遥领先

公司地址:台州市椒江区机场南路十五号

邮编: 318000

国内销售部:

电话: 0086-0576-88177788 88177789

传真: 0086-0576-88177758

国贸部:

电话: 0086-0576-88177782 88177774

传真: 0086-0576-88177787

免费售后服务电话: 400-8876858

http://www.chinajack.com



www.chinajack.com

资料如有更改,恕不另行通知,以实物为准。

2019.1

工业缝纫机安全使用注意事项:

1. 必须遵守基本措施;
2. 必须经过专业培训,对缝纫机设备性能;
3. 使用前应检查所有安全装置;
4. 在安装机针、更换机针、压脚、针板、送布牙、弯针、旋梭或修理时,应立即关闭电源;
5. 离开缝纫机或工作场所时应关闭电源;
6. 使用离合马达时,要等待马达完全停止后再进行;
7. 缝纫机及附属装置使用的机油,润滑油等液体流入眼睛或沾到皮肤上应立即清洗;
8. 禁止用手触摸缝纫机通电时的零件或装置;
9. 有关工业用平缝机与包缝机的修理、改造、主要机构的调整由专门技术人员来进行;
10. 一般的维修保养由专人负责;
11. 在电气方面的修理应在电气技术员的监督和指导下进行;
12. 缝纫机使用期间应定期清扫;
13. 为了正常安全运转,应安装地线,同时应在不受高频焊接机等强噪声源影响的环境下使用;
14. 电源插头应由专人负责;
15. 工业用平缝机、包缝机在指定用途以外不能使用。

环保要求:

1. 使用过程中产生的废油及其他废弃物应根据当地环保的要求进行合理的处置。
  2. 请在使用完后及时关闭电源,减少电能的消耗。
  3. 请在说明书要求的电压及环境下使用,已延长产品的使用寿命,减少废弃物的产生。
  4. 机器报废后请勿将本机器及其附件作为普通的生活垃圾处理。请遵守本设备及其附件处理的本地法令,并支持回收行动。
- Notes for safe use of industrial sewing machines:

1. Basic measures must be observed.
2. Pass the specialized training and master sewing machine equipment performance.
3. All safety devices should be checked before use.
4. When installing needle, and changing needle, presser foot, plate, feed dog, bent needle, hook or repairing, the power supply should be turned off immediately.
5. Power should be turned off when leaving the sewing machine or workplace.
6. When using the clutch motor, please wait until the motor stops completely.
7. The machine oil and other liquids used in sewing machines and ancillary devices should be cleaned immediately when they are put into eyes or touch skin.
8. Do not touch the parts or devices when the machine is powered by hand.
9. The repair, renovation and adjustment of the main mechanisms of the relevant industrial sewing machines and overseers shall be carried out by specialized technicians.
10. General maintenance is carried out by specially-assigned persons.
11. Electrical repairs should be performed under the supervision and direction of the electrical technician.
12. The machine should be cleaned regularly during operation.
13. In order to operate normally and safely, ground lines should be installed, and they should be used in an environment free from strong noise sources such as high frequency welding machine.
14. Power plug should be installed by specially-assigned person.
15. Industrial lockstitch sewing machine and overlock sewing machine can not be used except the designated use.

Environmental requirements: