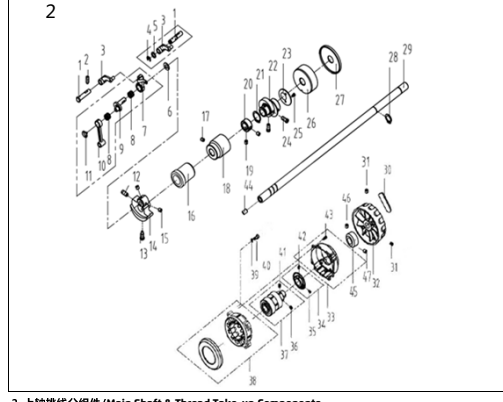


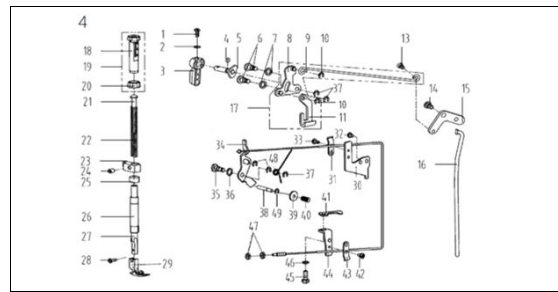
1. 机壳、外罩零件/Machine Frame & Miscellaneous Cover Components

序号NO	公司件号 Part No.	名称 PartName	零件描述 Description	数量 Number
1	10120021	机壳(带锁) S M3/16*28 L9.8	Screw SM3/16*28 L9.8	2
2	10120003	橡胶垫(带孔)	Rubber plug	2
3	19817002	密封垫	Head cap	1
4	3020989	面板(带锁)	Face plate asm	1
5	19813005	传动轴衬套	Thread guide shaft	1
6	10151007	传动轴衬套 M12/6*40 L4.6	Screw SM12/6*40 L4.6	1
7	10120214	面板板	Face plate gasket	1
8	10151027	面板板衬套 M12/6*40 L3.4	Screw SM12/6*40 L3.4	1
9	10120007	面板板衬套(带孔)	Face of shield asm(H)	1
10	10120282	面板板衬套(带孔)	Face of shield asm(H)	1
11	10120203	衬套(带孔)	Rubber plug	1
12	10120040	衬套(带孔)	Rubber plug	1
13	10120004	衬套(带孔)	Rubber plug	1
14	10151002	衬套(带孔) S M3/16*28 L4.7	Screw SM3/16*28 L4.7	1
15	19812008	衬套(带孔)	Thread take-up lever cover	1
16	19812008	衬套(带孔)	Thread take-up lever cover	1
17	19510004	衬套(带孔) S M3/16*28 L4.7	3-hole thread guide	1
18	10151005	衬套(带孔)	Rubber plug	1
19	19812008	衬套(带孔)	Thread take-up lever cover	2
20	10151005	衬套(带孔)	Rubber plug	1
21	20120022	衬套(带孔)	Rubber plug	1
22	10120212	衬套(带孔)	Side plate gasket	1
23	10120007	衬套(带孔)	Side plate	1
24	10151001	衬套(带孔) S M3/16*28 L9.8	Screw SM3/16*28 L9.8	10
25	19813001	衬套(带孔)	Screw M5x25	2
26	19813001	衬套(带孔)	Screw M5x20	2
27	10120007	衬套(带孔)	Electronic control box(H)	1
28	10120006	衬套(带孔)	Electronic control box	1
29	10151001	衬套(带孔)	Rubber plug	1
30	10151001	衬套(带孔)	Rubber plug	2
31	19813000	衬套(带孔)	Machine head stud	2
32	10151001	衬套(带孔)	Thread tension asm	1
33	10120007	衬套(带孔)	Thread tension spring	1
34	10120004	衬套(带孔)	Thread tension disk	2
35	19813008	衬套(带孔)	Thread tension post	1
36	19813006	衬套(带孔)	Thread tension guide plate	1
37	19813006	衬套(带孔)	Thread tension guide right	1
38	10151004	衬套(带孔)	Screw SM12/6*40 L4.6	1
39	10151004	衬套(带孔)	Screw SM12/6*40 L4.6	1
40	19156002	衬套(带孔)	Tension release pin	1
41	10120204	衬套(带孔)	Rubber ring	1
42	10151005	衬套(带孔)	Thread take-up spring	1
43	10120007	衬套(带孔)	Thread take-up spring(H)	1
44	10120004	衬套(带孔)	Thread tension disk	2
45	10120007	衬套(带孔)	Thread tension asm	1
46	10120007	衬套(带孔)	Thread tension disk	2
47	10120007	衬套(带孔)	Thread tension spring	1
48	19813003	衬套(带孔)	Thread tension spring A(H)	1
49	10120007	衬套(带孔)	Thread disk rotating stopper	1
50	10120007	衬套(带孔)	Thread disk rotating stopper	1
51	19813003	衬套(带孔)	Thread tension asm	1
52	19813003	衬套(带孔)	Thread tension asm(H)	1
53	19813003	衬套(带孔)	Thread guide	1
54	10151001	衬套(带孔)	Nut SM3/16*40	1
55	19813003	衬套(带孔)	Ruler stop seat	1
56	19813003	衬套(带孔)	Ruler stop seat	1
57	10151002	衬套(带孔)	Screw SM12/6*40	2
58	19813003	衬套(带孔)	Needle plate	1
59	19813003	衬套(带孔)	Needle plate	1
60	10151002	衬套(带孔)	Slide plate	1
61	10120007	衬套(带孔)	Slide plate spring	1
62	10120007	衬套(带孔)	Slide plate spring	2
63	10120007	衬套(带孔)	Slide plate spring	2
64	19813003	衬套(带孔)	Slide plate spring	1
65	19813003	衬套(带孔)	Slide plate spring	1
66	10120007	衬套(带孔)	Slide plate spring	1
67	10120007	衬套(带孔)	Slide plate spring	1
68	10120007	衬套(带孔)	Slide plate spring	1
69	10120007	衬套(带孔)	Slide plate spring	1
70	10120007	衬套(带孔)	Slide plate spring	1
71	10120007	衬套(带孔)	Slide plate spring	1
72	10120007	衬套(带孔)	Slide plate spring	1
73	10120007	衬套(带孔)	Slide plate spring	1
74	10120007	衬套(带孔)	Slide plate spring	1
75	10120007	衬套(带孔)	Slide plate spring	1
76	10120007	衬套(带孔)	Slide plate spring	1
77	10120007	衬套(带孔)	Slide plate spring	1
78	10120007	衬套(带孔)	Slide plate spring	1
79	10120007	衬套(带孔)	Slide plate spring	1
80	10120007	衬套(带孔)	Slide plate spring	1
81	10120007	衬套(带孔)	Slide plate spring	1
82	10120007	衬套(带孔)	Slide plate spring	1
83	10120007	衬套(带孔)	Slide plate spring	1
84	10120007	衬套(带孔)	Slide plate spring	1
85	10120007	衬套(带孔)	Slide plate spring	1
86	10120007	衬套(带孔)	Slide plate spring	1
87	10120007	衬套(带孔)	Slide plate spring	1
88	10120007	衬套(带孔)	Slide plate spring	1
89	10120007	衬套(带孔)	Slide plate spring	1
90	10120007	衬套(带孔)	Slide plate spring	1
91	10120007	衬套(带孔)	Slide plate spring	1
92	10120007	衬套(带孔)	Slide plate spring	1
93	10120007	衬套(带孔)	Slide plate spring	1
94	10120007	衬套(带孔)	Slide plate spring	1
95	10120007	衬套(带孔)	Slide plate spring	1
96	10120007	衬套(带孔)	Slide plate spring	1
97	10120007	衬套(带孔)	Slide plate spring	1
98	10120007	衬套(带孔)	Slide plate spring	1
99	10120007	衬套(带孔)	Slide plate spring	1
100	10120007	衬套(带孔)	Slide plate spring	1



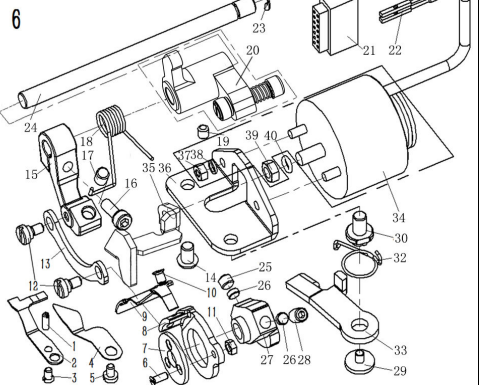
2. 上轴排线分组件/Main Shaft & Thread Take-up Components

序号NO	公司件号 Part No.	名称 PartName	零件描述 Description	数量 Number
1	10120007	衬套(带孔)	Thread take-up connecting rod pin	1
2	10151001	衬套(带孔)	Screw SM12/6*40 L4.6	1
3	10151001	衬套(带孔)	Thread take-up connecting rod(H)	1
4	10151001	衬套(带孔)	Thread take-up connecting rod(H)	1
5	10151001	衬套(带孔)	Thread take-up connecting rod(H)	1
6	10151001	衬套(带孔)	Thread take-up connecting rod(H)	1
7	10151001	衬套(带孔)	Thread take-up connecting rod(H)	1
8	10151001	衬套(带孔)	Thread take-up connecting rod(H)	1
9	10151001	衬套(带孔)	Thread take-up connecting rod(H)	1
10	10151001	衬套(带孔)	Thread take-up connecting rod(H)	1
11	10151001	衬套(带孔)	Thread take-up connecting rod(H)	1
12	10151001	衬套(带孔)	Thread take-up connecting rod(H)	1
13	10151001	衬套(带孔)	Thread take-up connecting rod(H)	1
14	10151001	衬套(带孔)	Thread take-up connecting rod(H)	1
15	10151001	衬套(带孔)	Thread take-up connecting rod(H)	1
16	10151001	衬套(带孔)	Thread take-up connecting rod(H)	1
17	10151001	衬套(带孔)	Thread take-up connecting rod(H)	1
18	10151001	衬套(带孔)	Thread take-up connecting rod(H)	1
19	10151001	衬套(带孔)	Thread take-up connecting rod(H)	1
20	10151001	衬套(带孔)	Thread take-up connecting rod(H)	1
21	10151001	衬套(带孔)	Thread take-up connecting rod(H)	1
22	10151001	衬套(带孔)	Thread take-up connecting rod(H)	1
23	10151001	衬套(带孔)	Thread take-up connecting rod(H)	1
24	10151001	衬套(带孔)	Thread take-up connecting rod(H)	1
25	10151001	衬套(带孔)	Thread take-up connecting rod(H)	1
26	10151001	衬套(带孔)	Thread take-up connecting rod(H)	1
27	10151001	衬套(带孔)	Thread take-up connecting rod(H)	1
28	10151001	衬套(带孔)	Thread take-up connecting rod(H)	1
29	10151001	衬套(带孔)	Thread take-up connecting rod(H)	1
30	10151001	衬套(带孔)	Thread take-up connecting rod(H)	1
31	10151001	衬套(带孔)	Thread take-up connecting rod(H)	1
32	10151001	衬套(带孔)	Thread take-up connecting rod(H)	1
33	10151001	衬套(带孔)	Thread take-up connecting rod(H)	1
34	10151001	衬套(带孔)	Thread take-up connecting rod(H)	1
35	10151001	衬套(带孔)	Thread take-up connecting rod(H)	1
36	10151001	衬套(带孔)	Thread take-up connecting rod(H)	1
37	10151001	衬套(带孔)	Thread take-up connecting rod(H)	1
38	10151001	衬套(带孔)	Thread take-up connecting rod(H)	1
39	10151001	衬套(带孔)	Thread take-up connecting rod(H)	1
40	10151001	衬套(带孔)	Thread take-up connecting rod(H)	1
41	10151001	衬套(带孔)	Thread take-up connecting rod(H)	1
42	10151001	衬套(带孔)	Thread take-up connecting rod(H)	1
43	10151001	衬套(带孔)	Thread take-up connecting rod(H)	1
44	10151001	衬套(带孔)	Thread take-up connecting rod(H)	1
45	10151001	衬套(带孔)	Thread take-up connecting rod(H)	1
46	10151001	衬套(带孔)	Thread take-up connecting rod(H)	1
47	10151001	衬套(带孔)	Thread take-up connecting rod(H)	1
48	10151001	衬套(带孔)	Thread take-up connecting rod(H)	1
49	10151001	衬套(带孔)	Thread take-up connecting rod(H)	1
50	10151001	衬套(带孔)	Thread take-up connecting rod(H)	1
51	10151001	衬套(带孔)	Thread take-up connecting rod(H)	1
52	10151001	衬套(带孔)	Thread take-up connecting rod(H)	1
53	10151001	衬套(带孔)	Thread take-up connecting rod(H)	1
54	10151001	衬套(带孔)	Thread take-up connecting rod(H)	1
55	10151001	衬套(带孔)	Thread take-up connecting rod(H)	1
56	10151001	衬套(带孔)	Thread take-up connecting rod(H)	1
57	10151001	衬套(带孔)	Thread take-up connecting rod(H)	1
58	10151001	衬套(带孔)	Thread take-up connecting rod(H)	1
59	10151001	衬套(带孔)	Thread take-up connecting rod(H)	1
60	10151001	衬套(带孔)	Thread take-up connecting rod(H)	1
61	10151001	衬套(带孔)	Thread take-up connecting rod(H)	1
62	10151001	衬套(带孔)	Thread take-up connecting rod(H)	1
63	10151001	衬套(带孔)	Thread take-up connecting rod(H)	1
64	10151001	衬套(带孔)	Thread take-up connecting rod(H)	1
65	10151001	衬套(带孔)	Thread take-up connecting rod(H)	1
66	10151001	衬套(带孔)	Thread take-up connecting rod(H)	1
67	10151001	衬套(带孔)	Thread take-up connecting rod(H)	1
68	10151001	衬套(带孔)	Thread take-up connecting rod(H)	1
69	10151001	衬套(带孔)	Thread take-up connecting rod(H)	1
70	10151001	衬套(带孔)	Thread take-up connecting rod(H)	1
71	10151001	衬套(带孔)	Thread take-up connecting rod(H)	1
72	10151001	衬套(带孔)	Thread take-up connecting rod(H)	1
73	10151001	衬套(带孔)	Thread take-up connecting rod(H)	1
74	10151001	衬套(带孔)	Thread take-up connecting rod(H)	1
75	10151001	衬套(带孔)	Thread take-up connecting rod(H)	1
76	10151001	衬套(带孔)	Thread take-up connecting rod(H)	1
77	10151001	衬套(带孔)	Thread take-up connecting rod(H)	1
78	10151001	衬套(带孔)	Thread take-up connecting rod(H)	1
79	10151001	衬套(带孔)	Thread take-up connecting rod(H)	1
80	10151001	衬套(带孔)	Thread take-up connecting rod(H)	1
81	10151001	衬套(带孔)	Thread take-up connecting rod(H)	1
82	10151001	衬套(带孔)	Thread take-up connecting rod(H)	1
83	10151001	衬套(带孔)	Thread take-up connecting rod(H)	1
84	10151001	衬套(带孔)	Thread take-up connecting rod(H)	1
85	10151001	衬套(带孔)	Thread take-up connecting rod(H)	1
86	10151001	衬套(带孔)	Thread take-up connecting rod(H)	1
87	10151001	衬套(带孔)	Thread take-up connecting rod(H)	1
88	10151001	衬套(带孔)	Thread take-up connecting rod(H)	1
89	10151001	衬套(带孔)	Thread take-up connecting rod(H)	1
90	10151001	衬套(带孔)	Thread take-up connecting rod(H)	1



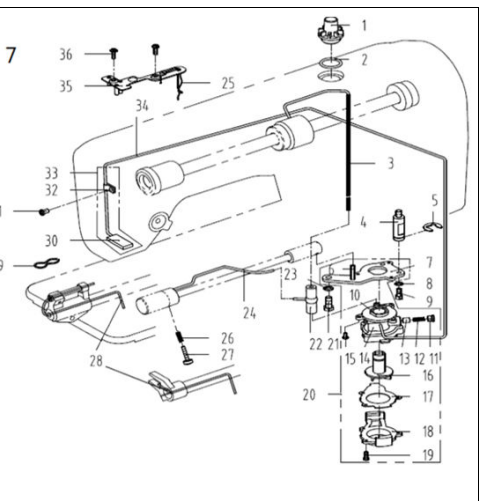
4. 压杆、自动抬压脚分组件/Presser Bar & Auto Lifter Components

序号NO	公司件号 Part No.	名称 PartName	零件描述 Description	数量 Number
1	10120007	衬套(带孔)	Screw SM12/6*40 L11	1
2	10120002	衬套(带孔)	Washer	1
3	19812029	衬套(带孔)	Hand lifter	1
4	10120004	衬套(带孔)	Rubber ring	1
5	10120002	衬套(带孔)	Hand lifter cam asm	1
6	10120001	衬套(带孔)	Screw	2
7	10120005	衬套(带孔)	Washer(H)	2
8	10120002	衬套(带孔)	Hand lifter front lever component	1
9	10120003	衬套(带孔)	Knee lifter pull rod	1
10	10120003	衬套(带孔)	Snag ring	2
11	10120020	衬套(带孔)	Lifting plate	1
12	10120004	衬套(带孔)	Hinge Screw SM12/6*32	1
13	10120003	衬套(带孔)	Hinge Screw SM12/6*28	1
14	10120003	衬套(带孔)	Knee lifter bar lever	1
15	10120004	衬套(带孔)	Knee lifter connecting rod	1
16	19812029	衬套(带孔)	Knee lifter connecting rod	1
17	10120002	衬套(带孔)	Press regulating guide bar	1
18	19812027	衬套(带孔)	Press regulating screw nut asm	1
19	19812027	衬套(带孔)	Press regulating guide bar	1
20	10120003	衬套(带孔)	Press regulating guide bar	1
21	10120003	衬套(带孔)	Press regulating spring	1
22	19813000	衬套(带孔)	Presser bar guide bracket	1
23	10151007	衬套(带孔)	Presser bar bushing cover	1
24	10120002	衬套(带孔)	Presser bar bushing lower	1
25	10120002	衬套(带孔)	Presser bar bushing upper	1
26	10120002	衬套(带孔)	Presser bar bushing	1
27	10120004	衬套(带孔)	Presser bar bushing	1
28	10120009	衬套(带孔)	Presser bar bushing	1
29	19812027	衬套(带孔)	Presser bar bushing	1
30	19812027	衬套(带孔)	Presser bar bushing	1
31	19812027	衬套(带孔)	Presser bar bushing	1
32	19812027	衬套(带孔)	Presser bar bushing	1
33	19812027	衬套(带孔)	Presser bar bushing	1
34	19812027	衬套(带孔)	Presser bar bushing	1
35	19812027	衬套(带孔)	Presser bar bushing	1
36	19812027	衬套(带孔)	Presser bar bushing	1
37	19812027</			



6. 切线装置部件/Thread Trimmer Components

序号NO.	公司件号	Part NO.	名称	PartName	零件描述	Description	数量	Number
1	H1825002		固定调节螺钉 S1M1/8"x4 L=9.5	Screw SM1/8"x4 L=9.5	Screw SM1/8"x4 L=9.5		1	1
2	H1919001		刀片	Secant knife			1	1
3	H1820001		螺钉 SM9/64"x40	Screw SM9/64"x40			1	1
4	H1820003		护刀片	Needle guard patch			1	1
5	20511009		螺钉 SM9/64"x40 L=5.5	Screw SM9/64"x40 L=5.5			1	1
6	31H11211		开槽刀片螺钉 M3x8	Screw M3x8			3	3
7	H1820002		刀架压板	Knife bracket press			2	2
8	H807303		刀架	Knife bracket			1	1
9	H1919002		电动机(带长线圈)	Motorial knife			1	1
10	H1919003		电动机(带短线圈)	Motorial knife(H)			1	1
11	H1820004		螺母 SM11/64"x40 L=4	Nut SM11/64"x40 L=4			2	2
12	H1820001		铰链螺钉 SM11/64"x40	Hinge Screw SM11/64"x40			2	2
13	H8182002		连杆	Connecting rod			1	1
14	H1820005		非安装螺钉 SM15/64"x28 L=9	Screw SM15/64"x28 L=9			1	1
15	H804301		切线凸轮	Thread Crank			1	1
16	505004		螺钉 M5x14	Screw M5x14			1	1
17	H1820001		非自动轴止动块	Crank driver stopper block			1	1
18	H827304		弹簧	Spring			1	1
19	20754006		螺钉 M5x5	Screw M5x5			2	2
20	H8042300		凸轮驱动组件	Crank asm.			1	1
21	H1820004		塞头	Plug			1	1
22	H1820005		凸轮驱动器	Pin			1	1
23	H05013		GB/T896-1986挡圈	Snap ring			1	1
24	H802321		切线驱动轴	Tangent drive shaft			1	1
25	H0134001		上轴中轴挡圈螺钉	Screw SM1/4"x40 L=8			1	1
26	H1820003		凸轮轴	Push rod			2	2
27	H810306		凸轮	Cam			1	1
28	H1820005		螺钉 SM1/4"x40 L=10	Screw SM1/4"x40 L=10			1	1
29	H802302		非安装螺钉 M4x15	Screw M4x15			1	1
30	H803301		松线螺钉	Screw			1	1
31	H827303		松线弹簧	Loose wire torsion spring			1	1
32	H827304		松线板	Thread release bed			1	1
33	H823004		切线装置	Thread trimmer solenoid asm.			1	1
34	H8230010		切线电磁铁组件	Thread trimmer solenoid asm.			1	1
35	H812270		松线板	Push plate			1	1
36	H192006		切线驱动架	Solenoid bracket			1	1
37	H191005		螺母 M4	Nut M4			2	2
38	H022018		GB/T93-1987 弹簧垫圈	Washer			2	2
39	H1826006		螺母 SM1/4"x40	Nut SM1/4"x40			1	1
40	D01004		O型圈	Rubber ring			1	1

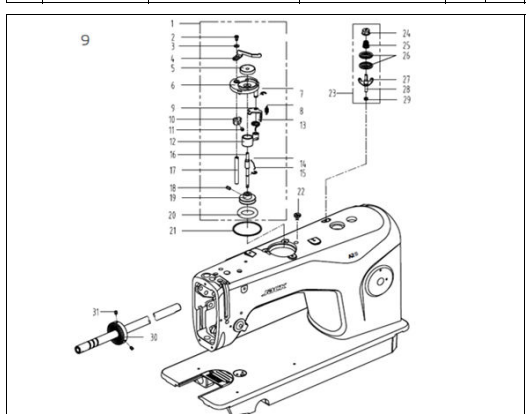


7. 润滑油组/Oil Lubrication Components

序号NO.	公司件号	Part NO.	名称	PartName	零件描述	Description	数量	Number
1	H211004		视窗	Oil sight window			1	1
2	H210209		橡胶圈	Rubber ring			1	1
3	H010001		主轴油封	Main shaft oil tube			1	1
4	H2530005		油泵连接螺栓	Oil pump connecting stud			1	1
5	H182900		开环扣圈10	Snap ring 10			1	1
6	H012001		下轴油封	Hook driving shaft oil tube			1	1
7	H012002		油泵安装板	Oil pump installing base			1	1
8	H020002		弹簧	Spring washer			1	1
9	20951001		压脚螺钉 M11/8"x4 L=10.5	Screw SM11/8"x4 L=10.5			1	1
10	H013002		油泵体衬套	Oil pump bushing			1	1
11	H2130007		柱塞泵	Plunger screw			1	1
12	H027003		柱塞泵	Plunger screw			1	1
13	H012018		柱塞杆	Plunger			1	1
14	H012001		油泵体	Oil pump			1	1
15	504004		GB/T93-1987垫圈	Washer			3	3
16	H011003		油泵驱动轴	Oil pump impeller			1	1
17	H012021		油泵叶轮衬套	Oil pump impeller cover			1	1
18	H011007		油泵盖	Lubricating oil pump cover			1	1
19	H2130005		螺钉	Screw			3	3
20	H0200000		润滑剂	Lubricating oil pump component			1	1
21	H6530003		抽牙叉固定螺钉 SM15/64"x28 L=14.5	Screw SM15/64"x28 L=14.5			1	1
22	H036001		橡胶管接头	Rubber joint			1	1
23	H020004		GB/T93-1987垫圈M6	Washer M6			1	1
24	H823003		油封	Hook oil tube			1	1
25	H012001		油线	Oil wick			1	1
26	H827014		弹簧	Spring			1	1
27	H0230001		油泵盖螺钉	Screw			1	1
28	H0423005		油线	Oil wick			1	1
29	H012015		油封压板	Oil felt clamp			1	1
30	H012006		油封压板	Oil felt foot			1	1
31	H012004		抽线护罩螺钉 M3/16"x28 L=7	Screw SM3/16"x28 L=7			1	1
32	H012003		抽线管	Oil tube clamp			1	1
33	H012007		抽线管	Oil return tube component			1	1
34	H012008		抽线管	Oil return tube			1	1
35	H012009		抽线管衬套	Oil wick lining plate			1	1
36	H012010		抽线管衬套	抽线管衬套 M9/64"x40 L=11	Screw SM9/64"x40 L=11		2	2

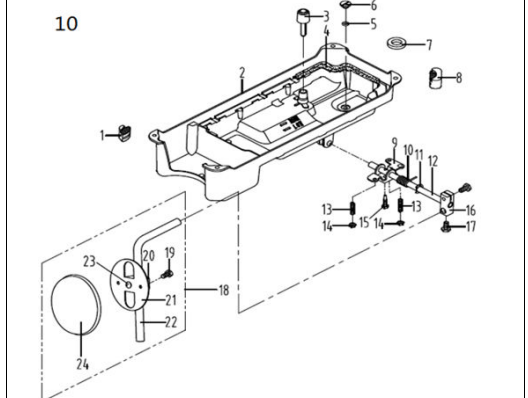
8. 自动倒送料开关组件/Automatic Reverse Feed Components

序号NO.	公司件号	Part NO.	名称	PartName	零件描述	Description	数量	Number
1	H0131004		抽线杆护圈螺钉 M3/16"x28 L=7	Screw SM3/16"x28 L=7			1	1
2	H8230070		抽线杆护圈	Auto reverse feed switch asm.			1	1
3	H6530003		抽牙叉固定螺钉 M15/64"x28 L=14.5	Screw SM15/64"x28 L=14.5			2	2
4	H020004		GB/T93-1987垫圈M6	Washer M6			2	2
5	H6530005		抽牙叉固定螺钉 M6	Screw			2	2
6	H8230040		自动倒送料电机	Auto reverse feed solenoid			1	1
7	H1826005		销子	Pin			1	1
8	H04001		开环扣圈 10:18 2X 14	Coiler pin			1	1
10	H022004		橡胶垫圈	Washer plunger			1	1
11	H182001		垫片	Washer			1	1
12	H05014		GB/T896-1986开环扣圈	Snap ring			1	1
13	H227006		自动倒送料连杆	Plunger spring			1	1
14	H823004		自动倒送料组件	Auto reverse feed connecting rod			1	1
15	H1820002		螺母 M11/8"x4 L=40	Nut SM11/8"x4 L=40			1	1
16	H1826007		螺母 M12/4"x28	Nut SM12/4"x28			1	1
17	H024003		自动倒送料杆	Auto reverse feed crank			1	1
18	H025008		螺母 M11/8"x4 L=40	Nut SM11/8"x4 L=40			1	1
19	H1820001		抽线螺钉 M11/8"x28	Hinge Screw SM11/8"x28			1	1
20	H210209		自动倒送料杆	Auto reverse feed push shaft			1	1
21	H012002		开环扣圈	Snap ring 5			1	1
22	H181005		尼龙扎带	Cable band			3	3



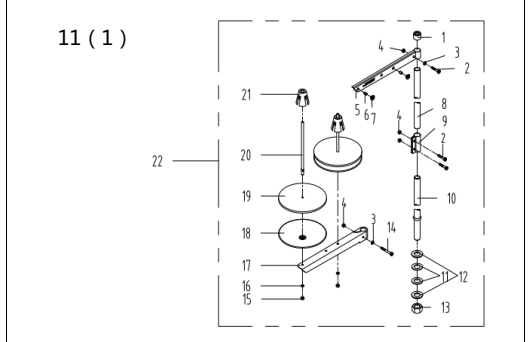
9. 绕线轴组件/Bobbin Components

序号NO.	公司件号	Part NO.	名称	PartName	零件描述	Description	数量	Number
1	H83103900		绕线轴组件	Bobbin winder asm.			1	1
2	H451008		螺钉 M4x6	Screw M4x6			1	1
3	GB/T9171		垫圈	Washer			1	1
4	H013000		绕线轴控制板	Thread press control plate			1	1
5	H011100		绕线轴衬垫	Winding pad			1	1
6	H831301		绕线轴驱动罩	Hook driving shaft cover			1	1
7	GB/T 896-1986		开环扣圈	Snap ring			1	1
8	H020001		绕线轴衬套	Bobbin winder bed			1	1
9	H831302		绕线轴衬套	Bobbin winder bed			1	1
10	H012000		绕线轴衬套	Bobbin winder cam			1	1
11	504004		GB/T93-1987垫圈	Washer			1	1
12	H8305060		绕线轴连接杆	Bobbin winder connecting rod			1	1
13	H827013		绕线轴复位弹簧	Spring			1	1
14	H012060		弹簧	Spring			1	1
15	GB/T896-1986		开环扣圈	Snap ring			1	1
16	H831301		绕线轴主轴	Bobbin winder main shaft			1	1
17	H830226		绕线轴凸轮轴	Bobbin winder cam shaft			1	1
18	H019013		绕线轴螺钉	Screw			2	2
19	H831302		绕线轴轮	Bobbin winder wheel			1	1
20	H011001		垫圈	Washer			1	1
21	H4226000		密封圈	O-ring			1	1
22	H451003		螺钉 M3/16"x28 L=10	Screw SM3/16"x28 L=10			3	3
23	H8305060		绕线轴张力轴	Bobbin thread tension asm.			1	1
24	H811004		绕线轴	Thread tension nut			1	1
25	H427006		小夹头弹簧	Spring			1	1
26	H012005		绕线轴盘	Thread tension disk			2	2
27	H413002		绕线轴导板	Thread tension guide plate			1	1
28	H2513004		绕线轴衬套	Screw			1	1
29	H4516001		螺母 M11/8"x40	Nut SM11/8"x40			1	1
30	H451001		绕线轴驱动轮	Driving wheel			1	1
31	H102009		螺钉 M6x8	Screw M6x8			2	2



10. 油盘、膝位压脚分组件/Oil Reservoir, Knee Lifter Components

序号NO.	公司件号	Part NO.	名称	PartName	零件描述	Description	数量	Number
1	H012002		橡胶垫圈	Oil reservoir rubber cushion			2	2
2	H012001		油盘	Oil Reservoir			1	1
3	H011005		膝位压脚杆	Knee lifter push rod			1	1
4	H012200		膝位压脚垫圈	Oil Reservoir gasket			1	1
5	H012001		橡胶圈	Rubber ring			2	2
6	H011028		带弹孔螺钉 SM5/16"x24 L=7	Screw SM5/16"x24 L=7			2	2
7	H013001		油盘盖	Oil reservoir magnet			1	1
8	H012003		油盘支架	Oil reservoir rubber cushion			2	2
9	H013007		膝位压脚杆衬套	Knee lifter crank			1	1
10	H012016		膝位压脚弹簧	Knee lifter spring			1	1
11	H455010		GB/T896-1986开环扣圈	Snap ring 10			1	1
12	H012001		膝位压脚轴	Knee lifter shaft			1	1
13	H015012		膝位压脚轴衬套	Screw M6 L=30			2	2
14	H0156004		螺母 M6 L=4	Nut M6 L=4			2	2
15	H015002		膝位压脚轴衬套	Screw M6 L=26			1	1
16	H013008		膝位压脚轴衬套	Bearing bracket			1	1
17	H015003		膝位压脚轴衬套	Screw M8 L=16			2	2
18	H0120200		膝位压脚轴衬套	Knee press plate asm			1	1
19	H015004		膝位压脚轴衬套	Screw M6 L=11			1	1
20	H012000		膝位压脚轴衬套	Knee press plate holder			1	1
21	H012009		膝位压脚轴衬套	Knee press plate			1	1
22	H012028		膝位压脚轴衬套	Knee lifter plate rod			1	1
23	H012025		膝位压脚轴衬套	Rubber			1	1
24	H012204		膝位压脚轴衬套	Knee press plate cover			1	1



11. 机头附件(1) 线架组件/Machine Head Accessories(1) Thread Stand Components

序号NO.	公司件号	Part NO.	名称	PartName	零件描述	Description	数量	Number
1	20731079		绕线轴衬套橡胶垫	Spool rest rod rubber cap			1	1
2	504050		十字槽内六角头螺栓 M5 L=16	Screw M5 L=16			3	3
3	H010407		垫圈M5	Washer M5			2	2
4	H021004		螺母 M5	Nut M5			4	4
5	H831302		绕线轴驱动杆	Spool rest arm upper			1	1
6	H011001		绕线轴衬套	Thread guide ring			2	2
7	H012010		绕线轴衬套	Thread guide ring			2	2
8	H831309		绕线轴衬套	Spool rest rod upper			1	1
9	H831301		绕线轴衬套	Spool rest rod joint			1	1
10	H8313020</							