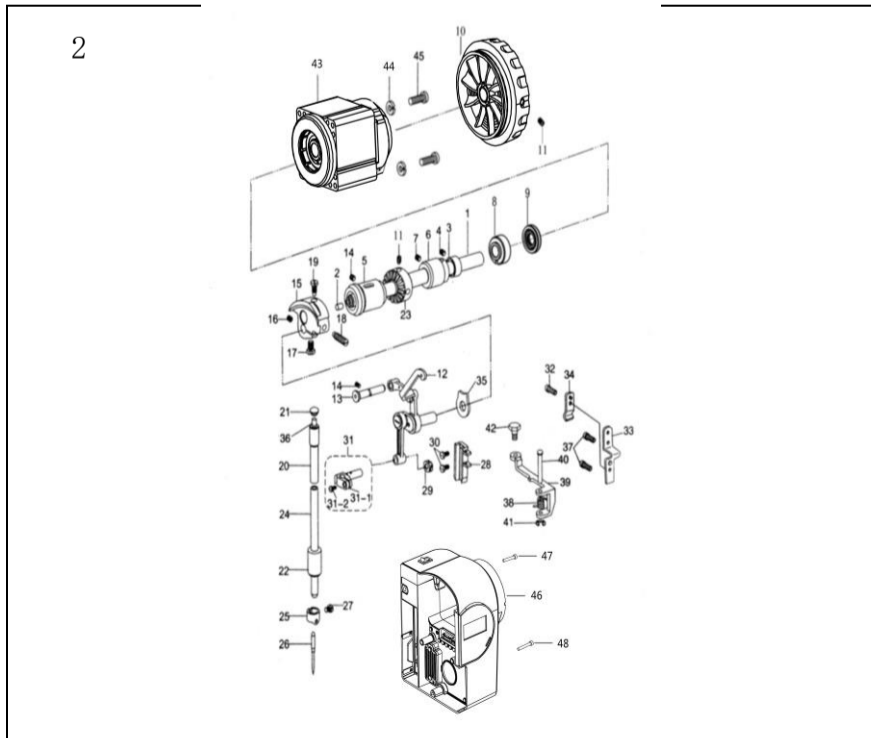


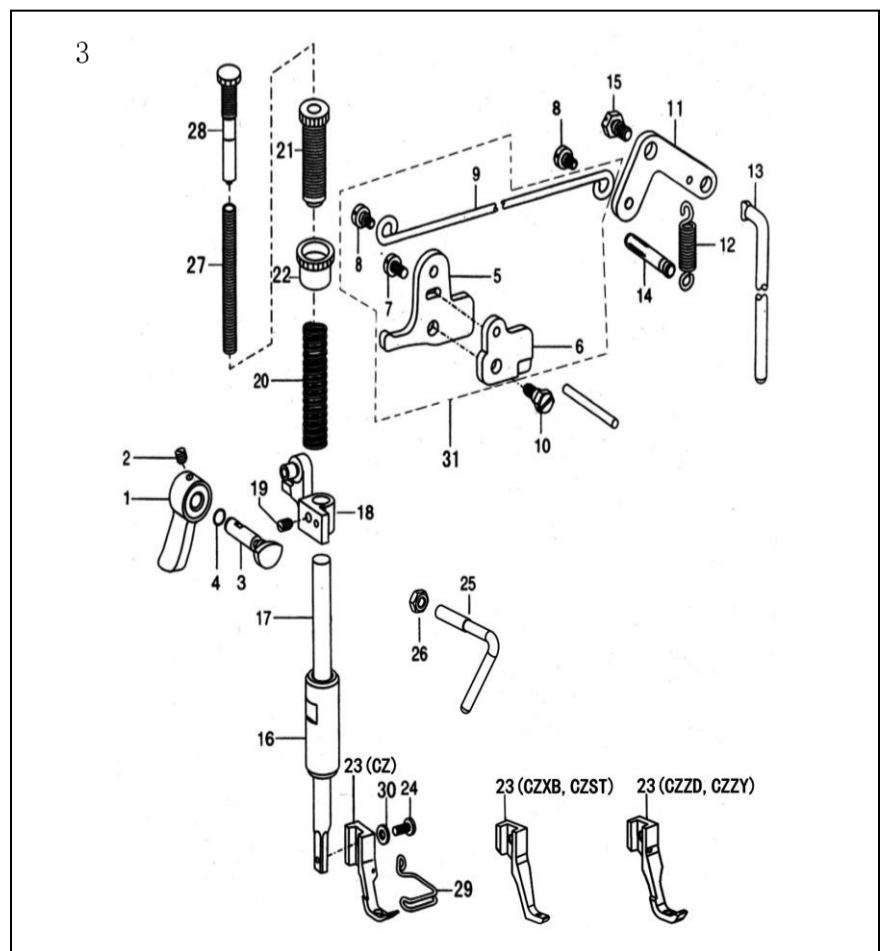
1. 机壳、外装分组件/Machine frame & miscellaneous cover components

序号NO.	公司件号 Part NO.	名称 PartName	零件描述 Description	数量 Number				
				CZ	CZXB	CZZD	CZST	CZZY
1	304713	面板	Face plate arm	1	1	1	1	1
2	201S11025	面板螺钉	Screw	3	3	3	3	3
3	14713003	面板线勾	Arm thread guide	1	1	1	1	1
4	10113004	右线钩	Arm thread guide	1	1	1	1	1
5	101S11007	线勾螺钉	Screw	2	2	2	2	2
6	1381300400	小夹线器组件	BOBBIN THREAD TENSIONASM	1	1	1	1	1
6-1	13812066	过线板	Thread tension guide plate	1	1	1	1	1
6-2	13810008	小夹线器螺柱	Thread tension post	1	1	1	1	1
6-3	11212004	小夹线板	Thread tension disk	2	2	2	2	2
6-4	11227001	小夹线弹簧	Thread tension spring	1	1	1	1	1
6-5	138S16019	小夹线器螺母	Thread tension nut	1	1	1	1	1
7	113S14002	小夹线固定螺钉	Screw	1	1	1	1	1
8	13512004	三孔线勾	3-hole thread guide	1	1	1	1	1
9	1351300300	夹线器组件	Thread tension asm	1	1	1	1	1
9-1	135S30002	夹线螺钉	Thread tension post	1	1	1	1	1
9-2	101S16001	夹线螺母	Tension nut	1	1	1	1	1
9-3	13527002	夹线弹簧	Thread tension spring	1	1	1	1	1
9-4	13513004	松线板	Disk stopper	1	1	1	1	1
9-5	13513005	夹线板	Thread tension disk	2	2	2	2	2
9-6	13527003	挑线簧	Takeup spring	1	1	1	1	1
9-7	13513006	夹线调节座	Thread tension post base	1	1	1	1	1
9-8	101S15005	夹线调节座螺钉	Screw	1	1	1	1	1
9-10	13513008	夹线螺母止动板	Tension disc stopper	1	1	1	1	1
9-11	001050	O型圈	Ring14.5x1.5	1	1	1	1	1
10	136S14002	夹线调节固定螺钉	Screw	1	1	1	1	1
11	14712018	挑线杆防护罩	Thread take-up lever cover	1	1	1	1	1
12	101S11004	挑线杆防护罩螺钉	Screw	2	2	2	2	2
13	401S13001	吊钩螺钉		2	2			
15	14726002	松线钉	Thread release pin	1	1	1	1	1
16	13613002	松线棒	Thread release pin	1	1	1	1	1
18	13812019	卷边器座	Ruler stop seat	1	1	1	1	1
19	101S11002	螺钉	Screw	2	2	2	2	2
20	135S20001	底板撑杆(尾部)	Bed screw stud(tail)	2	2	2	2	2
21	W02004	弹簧垫圈	Spring washer	4	4	4	4	4
24-1	13515002	推板	Slide plate	1	1	1	1	1
24-2	13512007	推板簧	Slide plate spring	1	1	1	1	1
24-3	101S11019	推板螺钉	Screw	2	2	2	2	2
25	13515001	针板	Throat plate	1	1	1	1	1
	13515004	针板	Throat plate					1
	13515005	针板	Throat plate		1			
26	101S17002	针板螺钉	Screw	2	2	2	2	2
27	1473100100	绕线器组件	Bobbin winder unit	1	1	1	1	1
28	114S11003	绕线器组件固定螺钉	Rubber plugφ10.5	3	3	3	3	3
29	11419001	切线刀	THREAD CUTTER	1	1	1	1	1
30	201S11007	螺钉	SCREW	2	2	2	2	2
31	1361300800	绕线夹线器组件	BOBBIN THREAD TENSION ASM	1	1	1	1	1
32	135S20010	底板撑杆(头部)	Bed screw stud(head)	2	2	2	2	2

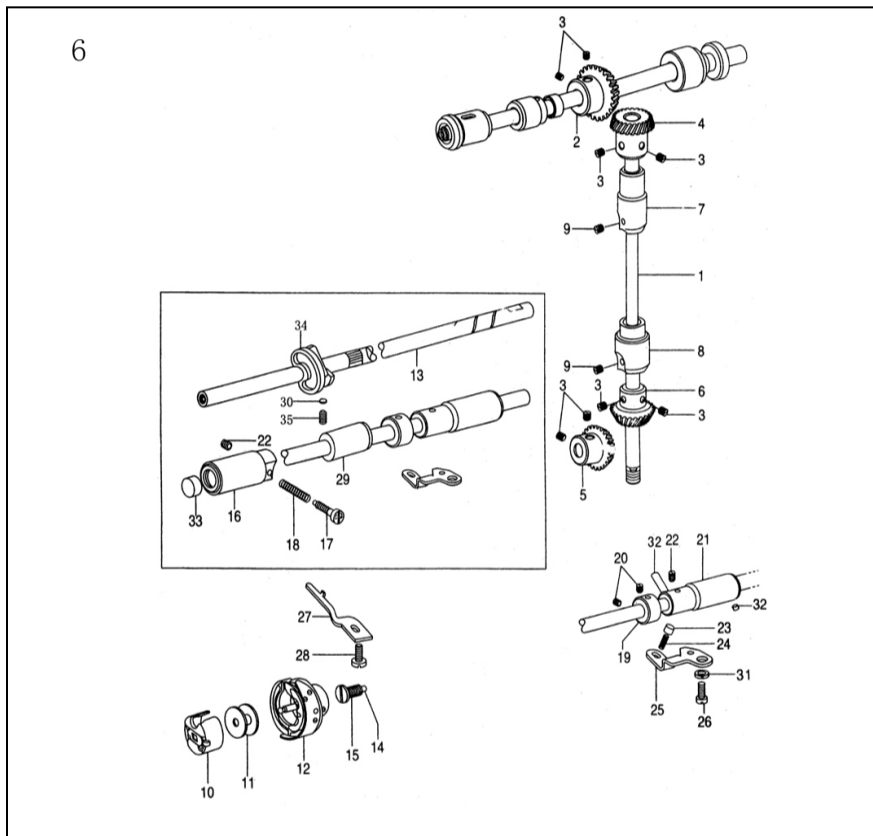
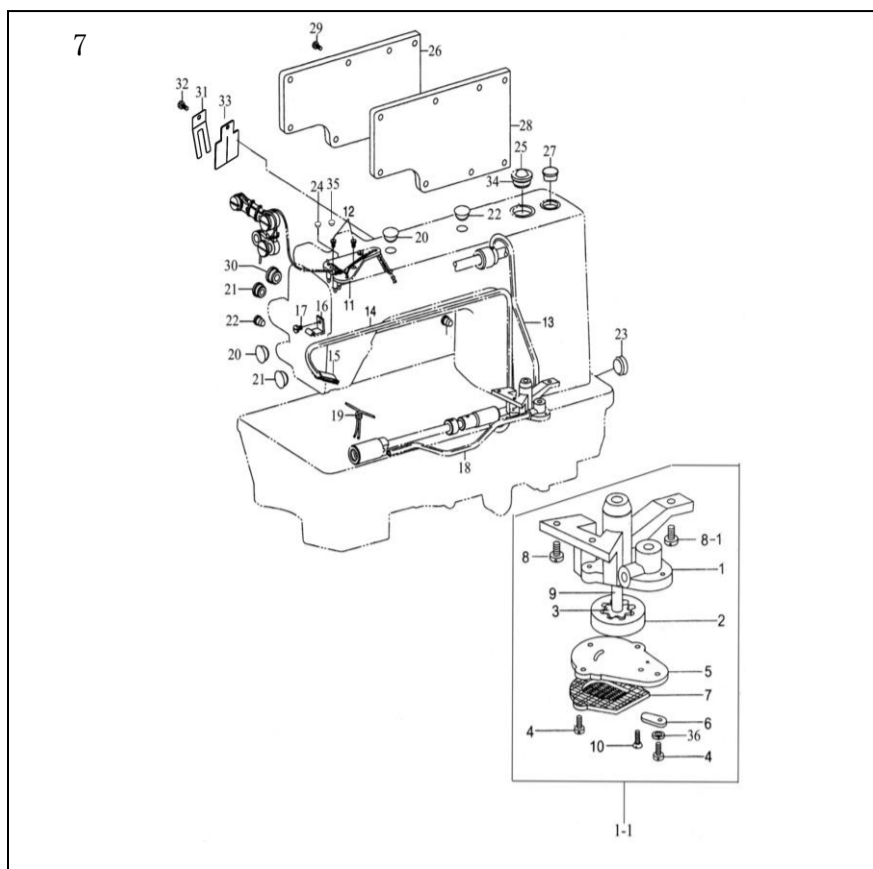
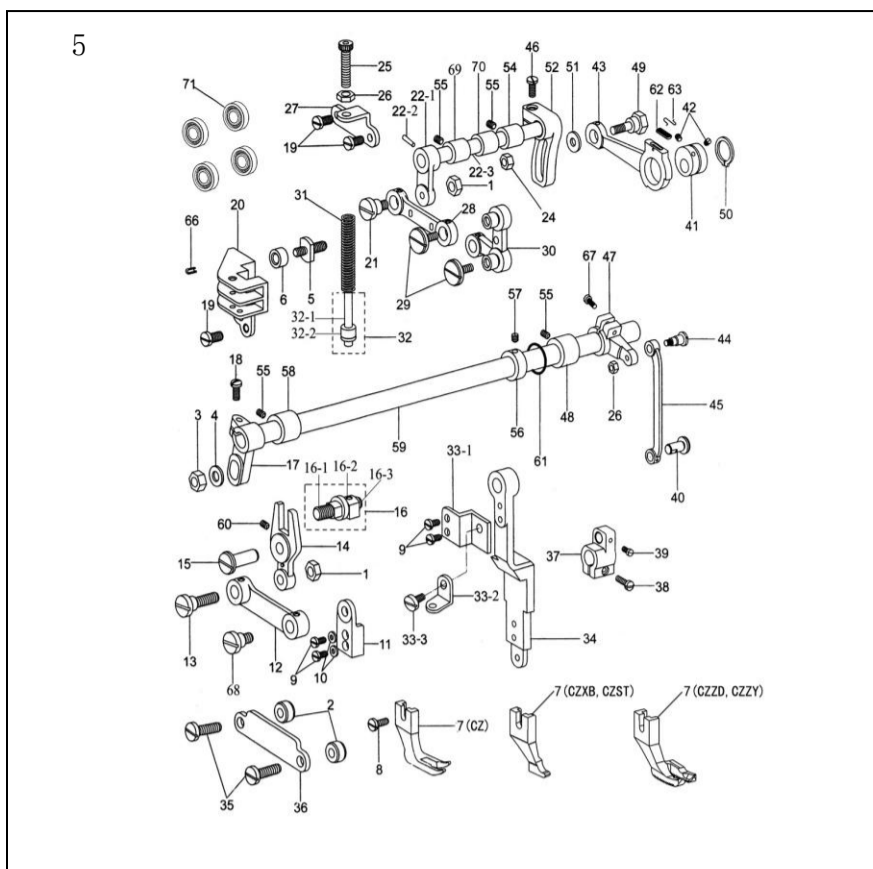


2. 上轴挑线分组件/Main shaft & thread take-up components

序号NO.	公司件号 Part NO.	名称 PartName	零件描述 Description	数量 Number				
				CZ	CZXB	CZZD	CZST	CZZY
1	14702011	上轴	Main shaft	1	1	1	1	1
2	10122012	上轴橡皮塞	Rubber plug	1	1	1	1	1
3	10108003	上轴紧圈	Thrust collar asm.	1	1	1	1	1
4	135S15004	上轴紧圈螺钉	Screw	2	2	2	2	2
5	13603023	上轴前轴套	Main shaft bushing, front	1	1	1	1	1
6	13503017	上轴中轴套	Brshing, intermediate	1	1	1	1	1
7	135S15006	上轴中套螺钉	Screw	1	1	1	1	1
8	13603027	上轴后套	Main shaft bushing, back	1	1	1	1	1
9	13522010	上轴后轴套油封组件	Main shaft	1	1	1	1	1
10	304714	主动轮	Screw	1	1	1	1	1
11	S10009	主动轮螺钉	Screw	2	2	2	2	2
12	1353800200	挑线杆组件	Thread take-up asm	1	1	1	1	1
13	13502003	挑线连杆铰链销	Thread take-up crank shaft	1	1	1	1	1
14	135S15009	挑线连杆铰链销螺钉	Screw	2	2	2	2	2
15	13504001	针杆曲柄	Counterweight	1	1	1	1	1
16	135S12001	挑线曲柄螺钉	Screw	1	1	1	1	1
17	101S15007	挑线曲柄定位螺钉	Screw	1	1	1	1	1
18	101S15004	针杆曲柄螺钉	Screw	1	1	1	1	1
19	135S11002	针杆曲柄定位螺钉	Screw	1	1	1	1	1
20	14703006	针杆上衬套	Needle bar metal, upper	1	1	1	1	1
21	10122013	针杆上衬套橡皮塞(φ8.5)	Cap	1	1	1	1	1
22	13503007	针杆下衬套	Needle bar metal, lower	1	1	1	1	1
23	14735001	驱动轮	BTW-DRIVING-WHEEL	1	1	1	1	1
24	13602002	针杆	Needle bar	1	1	1	1	1
25	13513011	针杆过线环	Needle bar thread guide	1	1	1	1	1
26	13517001	机针	Needle	1	1	1	1	1
	13517003	机针	Needle		1			
27	101S11006	夹针螺钉	Screw	1	1	1	1	1
28	13609001	滑块槽	Needle bar trough	1	1	1	1	1
29	11409001	针杆接头滑块	Slide block	1	1	1	1	1
30	101S11008	滑块导轨螺钉	Screw	2	2	2	2	2
31-1	13505002	针杆接头	Needle bar connection	1	1	1	1	1
31-2	101S11005	针杆接头螺钉	Screw	1	1	1	1	1
32	101S11005	软线固定板螺钉	Screw	1	1	1	1	1
33	13612001	松线绳固定架	Fixed frame	1	1	1	1	1
34	13612002	松线压板	Press plate	1	1	1	1	1
35	13528003	垫片	Washer plate	1	1	1	1	1
36	13523001	针杆上轴套毛毡	Oil felt for needle bar	2	2	2	2	2
37	101S11010	松线绳固定架螺钉	Screw	2	2	2	2	2
38	13627002	铰链弹簧	Spring	1	1	1	1	1
39	13612003	松线铰链	Hinge	1	1	1	1	1
40	13626001	铰链销	Pin	1	1	1	1	1
41	H05024	开口挡圈	RETAINING RING	1	1	1	1	1
42	136S12001	铰链螺钉	Screw	1	1	1	1	1
43	1363303000	电机(众邦)	Motor	1	1	1	1	1
44	W02004	弹簧垫圈	Spring washer	4	4	4	4	4
45		电机安装螺钉M5×70	Screw	4	4	4	4	4
46	1473304100	电控(众邦)	Machine electric control	1	1	1	1	1
47	114S30001	电控安装螺钉M5×25	Screw	1	1	1	1	1
48	136S13001	电控安装螺钉M5×35	Screw	3	3	3	3	3
49	S10035	绕线器驱动轮螺钉	Screw	2	2	2	2	2







7. 润滑组件 Oil lubrication components

序号NO.	公司件号 Part No.	名称 PartName	零件描述 Description	数量 Number				
				CZ	CZXB	CZSD	CZST	CZZY
1-1	1352000200	油泵组件	Oil pump asm	1	1	1	1	1
1	13520001	油泵体	Oil pump	1	1	1	1	1
2	13525005	油泵大齿轮	Big gear for oil pump	1	1	1	1	1
3	13525006	油泵小齿轮	Small gear for oil pump	1	1	1	1	1
4	135S11037	油泵调节板螺钉	Screw	3	3	3	3	3
5	13512021	油泵体盖板	Cover for oil pump	1	1	1	1	1
6	13512022	油泵调节板	Adjusting plate for oil pump	1	1	1	1	1
7	13512024	油泵滤网	Filter complete	1	1	1	1	1
8	105S11019	油泵螺钉	Screw	3	3	3	3	3
8-1	114S11004	油泵螺钉	Screw	1	1	1	1	1
9	13502024	油泵体短轴	Shaft for oil pump	1	1	1	1	1
10	S02024	油泵体盖板螺钉	Screw	2	2	2	2	2
11	1351202400	油线固定板大组件	Oil wick set plate complete	1	1	1	1	1
12	101S11010	油线固定板螺钉	Screw	2	2	2	2	2
13	1352100700	上轴油管组件	Oil pipe complete for upper shaft	1	1	1	1	1
14	12921002	回油管 φ3Xφ4	Oil return pipe	1	1	1	1	1
15	13523003	回油管滤毡	Oil felt	1	1	1	1	1
16	13512025	回油管夹	Pipe return pipe clamp	1	1	1	1	1
17	201S11014	回油管夹螺钉	Screw	1	1	1	1	1
18	1362100100	下轴油管组件	Oil pipe for arm shaft	1	1	1	1	1
18-1	13621001	下轴油管	Oil pipe for shaft	1	1	1	1	1
18-2	13636001	下轴油管接头	Hose connector	1	1	1	1	1
19	10423005	油线 2.5x260/2.5x290	Oil wick	各1	各1	各1	各1	各1
20	13522001	面板橡皮塞 (φ19)	Rubber plug (φ19)	1	1	1	1	1
21	13522002	面板橡皮塞 (φ11.8)	Rubber plug (φ11.8)	2	2	2	2	2
22	13522003	橡皮塞 (φ8.8)	Rubber plug φ8.8	2	2	2	2	2
23	13522004	橡皮塞 (φ27)	Rubber plug φ27	1	1	1	1	1
24	13522005	橡皮塞 (φ5.7)	Rubber plug φ5.7	2	2	2	2	2
25	10111004	油窗	Oil sight window	1	1	1	1	1
26	304715	后盖板	Side plate	1	1	1	1	1
27	13522008	橡皮塞 (φ25.5)	Rubber plug φ25.5	1	1	1	1	1
28	14722006	后盖板密封垫片	Gasket	1	1	1	1	1
29	101S11001	后盖板螺钉	Screw	8	8	8	8	8
30	12922001	橡皮塞	Rubber plug φ12.5	1	1	1	1	1
31	305102	小挡油板	Keep off plate	1	1	1	1	1
32	101S11004	小挡油板螺钉	Screw	1	1	1	1	1
33	14722011	小挡油板羊毛毡	Gasket	1	1	1	1	1
34	10122019	油窗O型圈	O-ring	1	1	1	1	1
35	14022013	A4S-0754孔塞8.5	Rubber plug φ8.5	1	1	1	1	1
36	W02002	油泵调节板螺钉弹簧垫圈	Spring washer	1	1	1	1	1

6. 旋梭部件 Hook components

序号NO.	公司件号 Part No.	名称 PartName	零件描述 Description	数量Number				
				CZ	CZXB	CZSD	CZST	CZZY
1	13502002	竖轴	Upring shaft	1	1	1	1	1
2	13525001	上轴伞齿轮	Gear asm.	1	1	1	1	1
3	101S15007	螺钉	Screw	8	8	8	8	8
4	13525002	竖轴伞齿轮 (上)	Gear asm.	1	1	1	1	1
5	13525003	下轴伞齿轮	Pinion asm.	1	1	1	1	1
6	13525004	竖轴伞齿轮 (下)	Gear asm.	1	1	1	1	1
7	13503018	竖轴轴套 (上)	Bushing, upper	1	1	1	1	1
8	13503005	竖轴下轴套	Upring shaft bushing, ower	1	1	1	1	1
9	135S15008	竖轴轴套螺钉	Screw	2	2	2	2	2
10	13618001	梭心套组件	Hook asm	1	1	1	1	1
11	10818501	梭芯	Bobbin	1	1	1	1	1
12	13618003	旋梭 (无尾)	Hook asm	1	1	1	1	1
13	13618007	旋梭 (有尾)	Hook asm	1	1	1	1	1
13	13602006	下轴	Hook driving shaft	1	1	1	1	1
14	10123003	下轴滤油塞	Oil wick	1	1	1	1	1
15	135S20007	下轴滤油塞螺钉	Screw	1	1	1	1	1
16	13603008	下轴前轴套	Bushing, front	1	1	1	1	1
17	135S20008	油量调节螺钉	Oil adjusting screw	1	1	1	1	1
18	13527005	油量调节弹簧	Spring	1	1	1	1	1
19	10108002	下轴紧圈	Thrust collar asm.	1	1	1	1	1
20	101S11012	下轴紧圈螺钉	Screw	2	2	2	2	2
21	13603025	下轴轴套 (右)	Bushing, rear	1	1	1	1	1
22	135S15009	下轴轴套螺钉	Screw	2	2	2	2	2
23	13502008	柱塞	Plunger	1	1	1	1	1
24	13527006	柱塞弹簧	Plunger spring	1	1	1	1	1
25	13512009	挡板	Guide plate	1	1	1	1	1
26	135S11019	挡板螺钉	Screw	1	1	1	1	1
27	13512010	旋梭定位勾	Rotating hook positioner	1	1	1	1	1
28	101S11011	旋梭定位勾螺钉	Screw	1	1	1	1	1
29	13603026	下轴中轴套	Bushing, middle	1	1	1	1	1
30	13628003	切线凸轮螺钉垫片	Washer	2	2	2	2	2
31	W02004	挡板螺钉弹簧垫圈	Washer	1	1	1	1	1
32	13521001	下轴轴套油管	Oil pipe for hook shaft bushing	1	1	1	1	1
33	11522001	下轴油封	Plunger	1	1	1	1	1
34	13610003	切线凸轮	Thread trimmer cam	1	1	1	1	1
35	116S14005	切线凸轮螺钉	Screw	2	2	2	2	2

