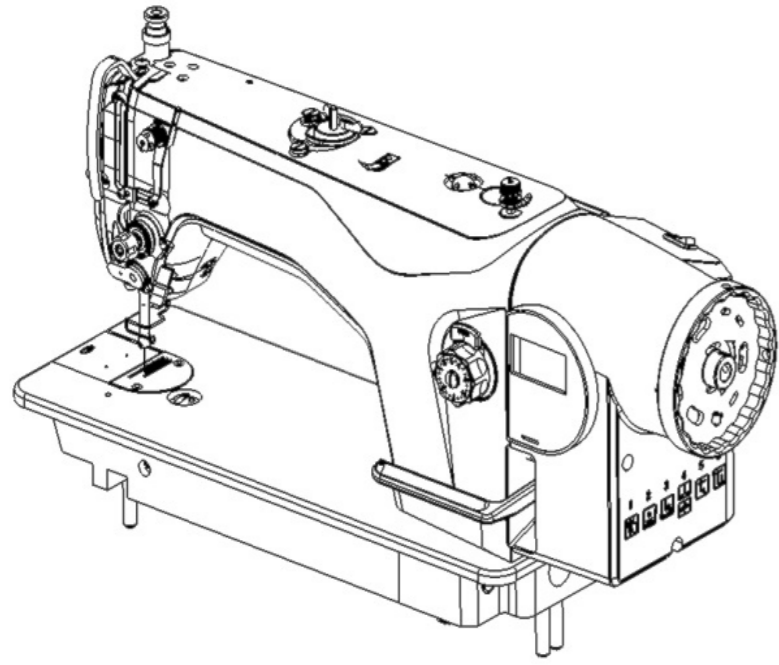
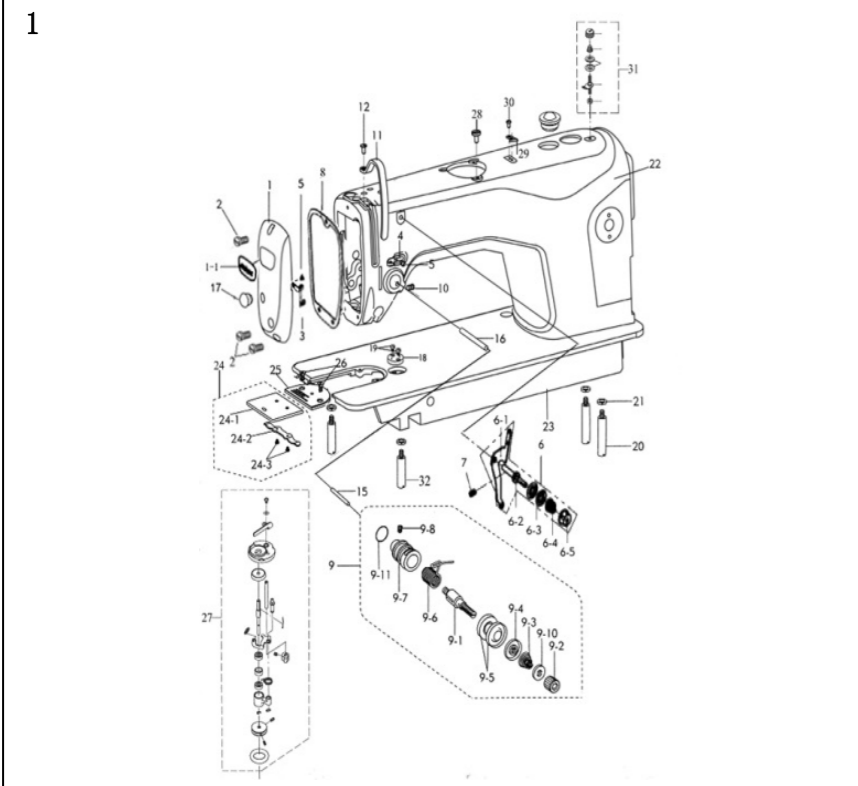


# 2001G零件手册 (Parts Manual)



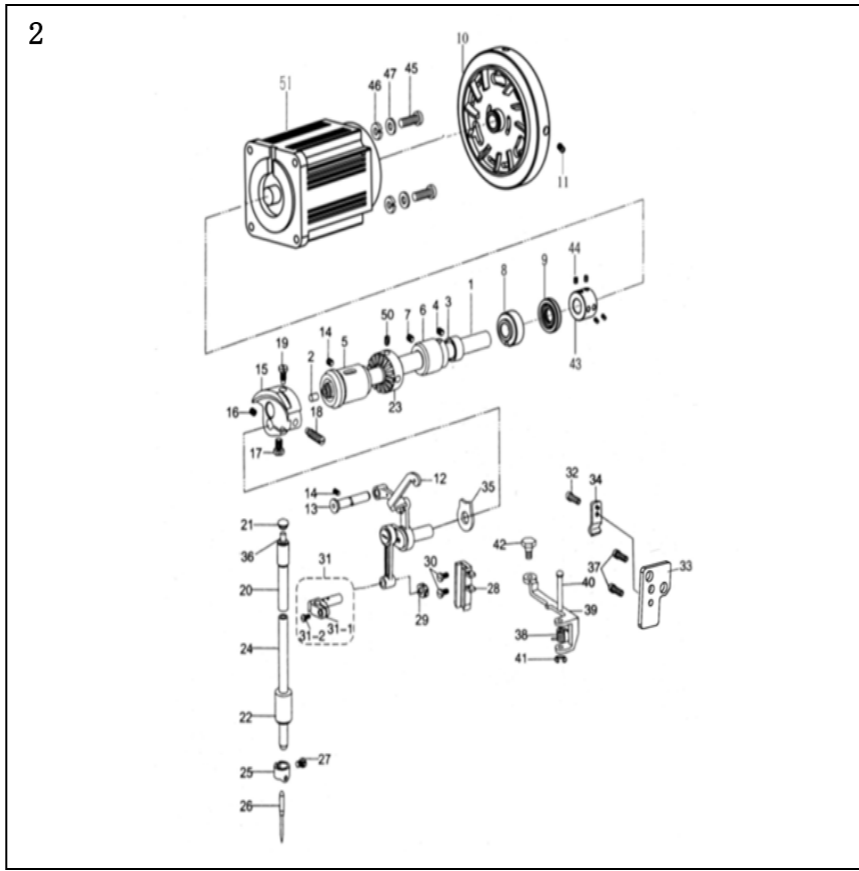
电脑厚料平缝机系列产品 Heavy duty computerized lockstitch sewing machine



### 1. 机壳、外装分组件/Machine frame & miscellaneous cover components

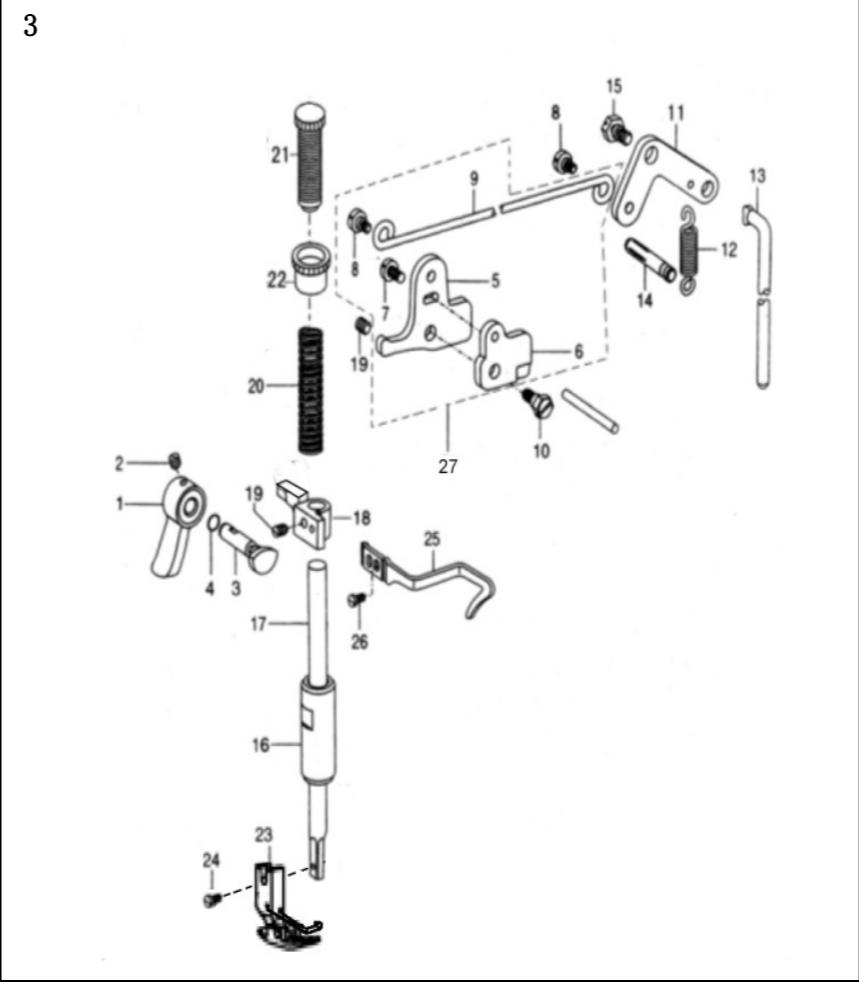
序号NO.	公司件号	Part NO.	名称 PartName	零件描述 Description	数量 Number
1	0112071		面框	Face plate asm	1
1-1	33637002		面框脚	Head card	1
2	13511001		面框螺钉	Screw	1
3	33613005		面框线导	low thread guide	1
4	33513009		线导	low thread guide	1
5	01511005		线导螺钉	Screw	2
6	336130040		小夹线器组件	BERBIN THREAD TENSION	1
6-1	33612066		小夹线过线轴	BERBIN THREAD TENSION ROD	1
6-2	33610068		小夹线螺钉	BERBIN THREAD TENSION ROD	1
6-3	11212004		小夹线板	THREAD TENSION DISK	2
6-4	11227001		小夹线弹簧	CONNECTING ROD SPRING	1
6-5	33614019		小夹线固定螺钉	SET	1
7	33513001		面框盖	FACE PLATE GASKET	1
8	01122114		面框垫	Face plate gasket	1
9	3361300700		夹线器组件	Thread tension asm	1
9-1	33530002		夹线螺钉	Thread tension post	1
9-2	33614013		夹线螺母	Tension nut	1
9-3	33513002		夹线弹簧	Thread tension spring	1
9-4	33513004		线夹板	Slit stopper	1
9-5	33513005		线夹板	Slit stopper	2
9-6	33513003		线夹板	Slit stopper	2
9-7	33513006		夹线调节座	Thread tension post base	1
9-8	01511005		夹线调节螺钉	Screw	1

9-10	13513008		夹线螺母固定板	Tension disc stopper	1
9-11	001050		小胶圈	Ring 4,5x1,5	1
10	13511006		夹线器调节固定螺钉	Screw	1
11	13612027		夹线器防护罩	Thread take-up lever cover	1
12	20151016		夹线器防护罩螺钉	Screw	1
15	33613004		夹线器	Thread release pin	1
16	33613002		夹线器	Thread release pin	1
17	13522001		橡皮塞(φ19)	Rubber plug φ19	1
18	0112002		限位器座	Roller stop seat	1
19	01511002		螺钉	Screw	2
20	13522000		限位器杆(头部)	Red screw stud(tail)	2
21	002004		弹簧垫圈	Spring washer	4
24-1	13510002		滑板	Slide plate	1
24-2	13512007		滑板簧	Slide plate spring	1
25	01511019		滑板螺钉	Screw	2
25	33615003		针板	Throat plate	1
26	01517002		针板螺钉	Screw	2
27	1143100100		线架器组件	Bobbins winder unit	1
28	11411005		线架器组件固定螺钉	Rubber plug φ10.5	3
29	11419001		切线刀	THREAD CUTTER	1
30	01511005		螺钉	SCREW	2
31	3361300600		夹线器组件	BERBIN THREAD TENSION ASM	1
32	13522010		限位器杆(尾部)	Red screw stud(head)	2



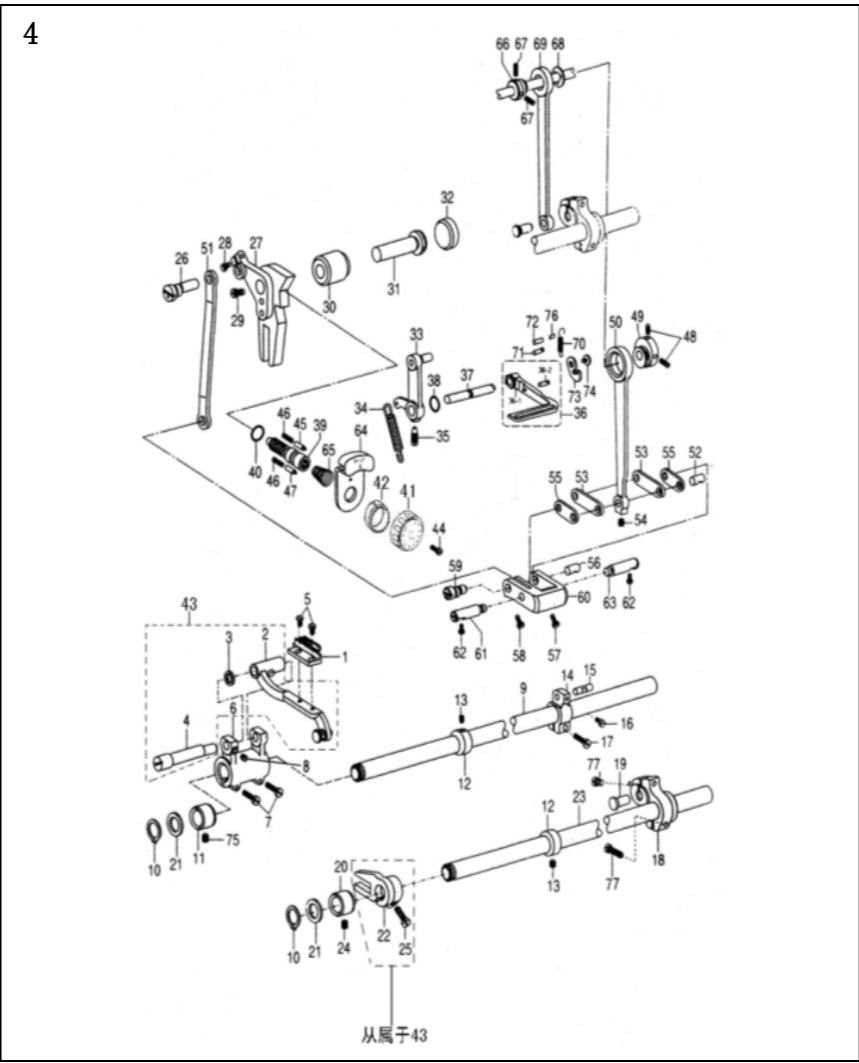
### 2. 上轴挑线分组件/Main shaft & thread take-up components

序号NO.	公司件号	Part NO.	名称 PartName	零件描述 Description	数量
1	13602010		上轴	Main shaft	1
2	01122012		上轴橡皮塞	Rubber plug	1
3	33500001		上轴衬套	Thrust collar asm.	1
4	33515004		上轴前衬套螺钉	Screw	2
5	33600001		上轴前衬套	Main shaft bushing, front	1
6	33500002		上轴中衬套	Bushing, intermediate	1
7	33515006		上轴中衬套螺钉	Screw	1
8	33600017		上轴后衬套	Main shaft bushing, back	1
9	13522010		上轴后衬套密封组件	Main shaft	1
10	33630002		上轴螺钉	Screw	2
11	330009		上轴螺母	Nut	1
12	33530003		挑线器组件	Thread take-up asm.	1
13	13502003		挑线器衬套	Thread take-up crank shaft	1
14	33515009		挑线器衬套螺钉	Screw	1
15	13504001		杆平衡	Counterweight	1
16	33512001		挑线器螺母	Screw	1
17	01515007		挑线器衬套固定螺钉	Screw	1
18	01515004		挑线器衬套	Screw	1
19	33511002		挑线器衬套固定螺钉	Screw	1
20	33600006		挑线器上衬套	Needle bar metal, upper	1
21	01122013		挑线器上衬套橡皮塞(φ8.5)	Cap	1
22	33600003		挑线器下衬套	Needle bar metal, lower	1
23	11430013		挑线器轮	DK-W-DIYING-WHEEL	1
24	33602002		挑线器杆	Needle bar	1
25	33513011		挑线器杆穿线导	Needle bar thread guide	1
26	33517001		挑线器针	Needle	1
27	01511006		挑线器螺钉	Screw	1
28	33600001		挑线器槽	Needle bar trough	1
29	1140001		挑线器头盖	Slide block	1
30	01511008		挑线器头盖螺钉	Screw	2
31	01511008		挑线器头盖螺钉	Screw	1
31-1	01130002		挑线器头盖	Needle bar connection	1
31-2	01511005		挑线器头盖螺钉	Screw	1
32	01511000		挑线器头盖螺钉	Screw	1
33	13612024		挑线器衬套固定板	1	1
34	13612028		挑线器衬套	1	1
35	13522003		挑线器衬套	1	1
36	13522001		挑线器衬套	1	2
37	01511010		挑线器衬套固定螺钉	1	2
38	13627002		挑线器簧	1	1
39	13612003		挑线器簧	1	1
40	13626001		挑线器簧	1	1
41	002004		挑线器簧	1	1
42	13612001		挑线器簧	1	1
43	13600019		挑线器簧	1	1
44	510007		挑线器簧	1	4
45	114513001		挑线器簧	1	4
46			挑线器簧	1	4
47			挑线器簧	1	4
50	113514002		挑线器簧	DK-W-DIYING-WHEEL SCREW	2
51	1362300200		挑线器簧	Motor (Qiling) CD	1



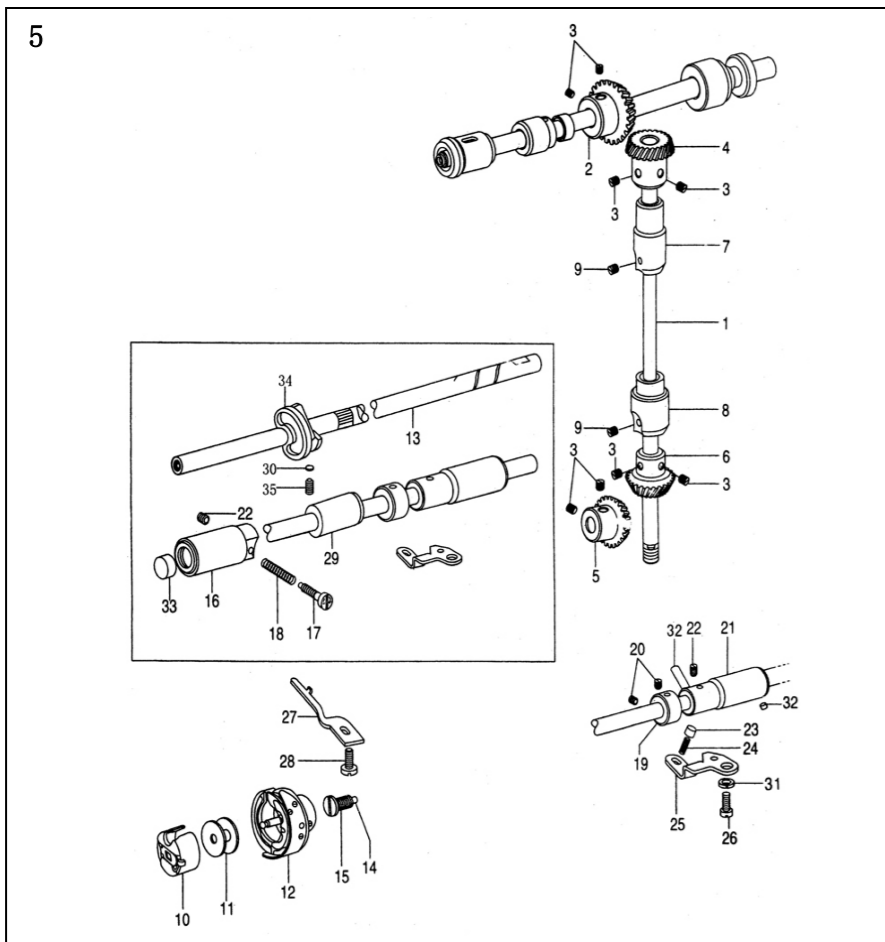
### 3. 压料分组件/Presser bar components

序号NO.	公司件号	Part NO.	名称 PartName	零件描述 Description	数量 Number
1	33511005		压料器手	Presser bar lifter	1
2	33515017		压料器手螺钉	Set screw	1
3	33510008		压料器手衬套	Presser bar lifting cam	1
4	011009		压料器手衬套油封	O-ring	1
5	33512013		压料器手衬套(左)	Cam lifter lever (left)	1
6	33510005		压料器手衬套(右)	Tension releasing cam	1
7	33511026		压料器手衬套(左)螺钉	Cam lifter lever (left) screw	1
8	33511027		压料器手衬套(右)螺钉	Hinged screw	1
9	0112013		压料器手衬套	Cam lifter rod	1
10	33511028		压料器手衬套	Screw	1
11	33512015		压料器手衬套(右)	Cam lifter lever (right)	1
12	13527010		压料器手衬套(右)簧	Presser spring	1
13	33512016		压料器手衬套(右)簧	Cam lifter connecting rod	1
14	33520005		压料器手衬套	Pin for spring	1
15	33512002		压料器手衬套(右)螺钉	Cam lifter lever (right) screw	1
16	33500013		压料器手衬套	Presser bar bushing	1
17	13502019		压料器手	Presser bar	1
18	33600003		压料器手支架	Presser bar lifting bracket	1
19	33513003		压料器手螺钉	Set screw	1
20	13527011		压料器手簧	Presser spring	1
21	33530004		压料器手	Lock nut	1
22	33510003		压料器手螺母	Set screw	1
23	336400100		压料器手	Presser foot complete	1
24	01511009		压料器手	Screw	1
25	33513012		压料器手	Upper thread guide	1
26	01511002		压料器手	Screw	1
27	1351201300		压料器手(左)螺母	Cam lifter lever (left) nut	1



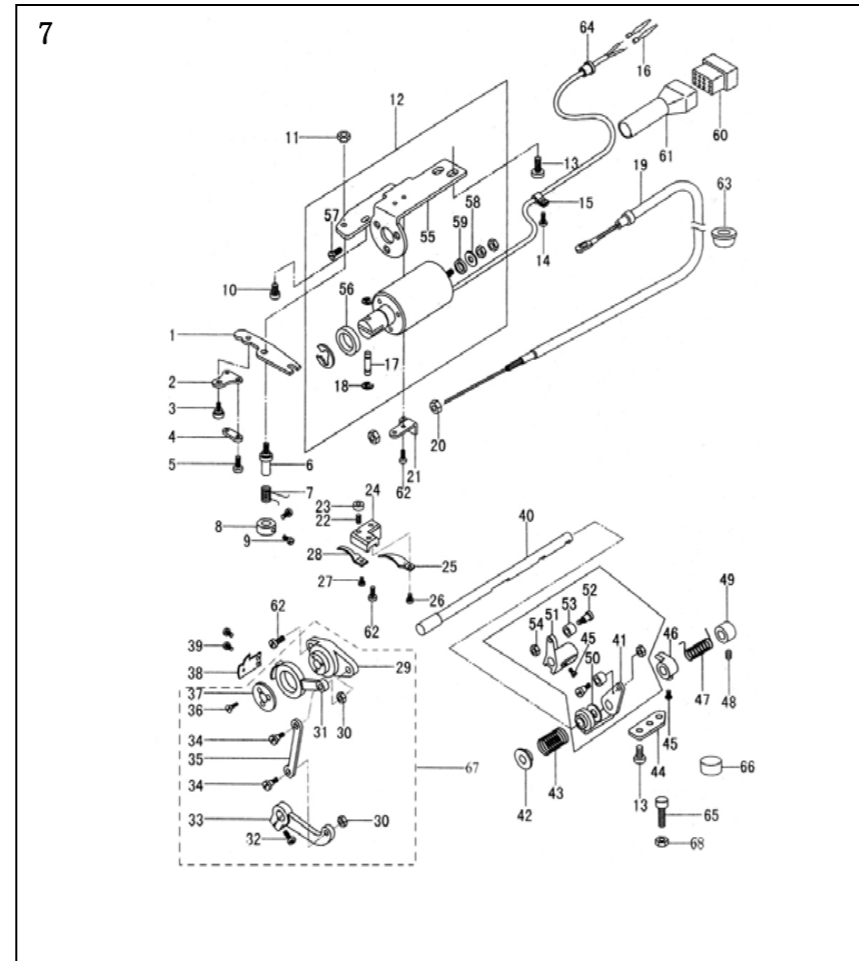
### 4. 送料分组件/Feed mechanism components

序号NO.	公司件号	Part NO.	名称 PartName	零件描述 Description	数量 Number
1	1361003		送料牙	Feed dog	1
2	135070000		送料小组件	Feed bar asm	1
3	13528004		送料垫圈	Nasher	1
4	13502005		送料轴衬套	Feed bar shaft	1
5	01511018		送料轴螺钉	Screw	2
6	13504003		送料轴衬套	Feed rocker asm.	1
7	01511016		送料轴螺钉	Screw	2
8	01511008		送料轴衬套	Screw	1
9	13602003		送料轴	Feed rocker shaft	1
10	013001		送料轴衬套	Retaining ring	2
11	13603004		送料轴衬套	Bushing for feed rock shaft(right)	1
12	13508001		送料牙、送料轴衬套	Screw	4
13	13513004		送料轴螺钉	Screw	2
14	13504004		送料轴衬套(右)	Feed rocker shaft crank asm	1
15	13528001		送料轴衬套	Walking foot pin	1
16	01511025		送料轴衬套	Screw	1
17	01511019		送料轴衬套(右)	Screw	1
18	13504017		送料轴衬套	Feed lifting rock shaft crank(right)	1
19	13502009		送料轴衬套	Hinge pin	1
20	13603005		送料轴衬套	Bushing for feed rock shaft(right)	1
21	13528006		送料轴衬套	Nasher	2
22	13505018		送料轴	Feed forked connection	1
23	13602004		送料轴	Feed lifting rock shaft	2
24	13513009		送料轴衬套	Screw	2
25	01511020		送料轴衬套	Screw	1
26	13510002		送料轴衬套	Hinge pin	1
27	13509003		送料轴衬套	Feed regulator	1
28	01511020		送料轴衬套	Screw	1
29	135111009		送料轴衬套	Screw	1
30	13503012		送料轴衬套	Feed regulator bushing	1
31	13502011		送料轴衬套	Hinge pin for feed regulator	1
32	13622014		送料轴衬套	Rubber plug φ19.5	1
33	135040100		送料轴衬套	Slide block pin	1
34	13627008		送料轴衬套	Spring for feed crank	1
35	13515014		送料轴衬套	Screw	1
36	136010000		送料轴衬套	Reverse feed lever asm	1
36-1	13601005		送料轴衬套	Reverse feed lever	1
36-2	13626002		送料轴衬套	Hinge pin	1
37	13602005		送料轴衬套	Reverse feed lever shaft	1
38	010145		送料轴衬套	O-ring	1
39	13633004		送料轴衬套	Feed regulator screw bar	1
40	010146		送料轴衬套	O-ring	1
41	13511002		送料轴	Dial	1
42					
43	135070000		送料轴	Feed bar asm	1
44	01511022		送料轴	Dial screw	1
45	13528002		送料轴	Stopper pin	1
46	13527008		送料轴	Spring for stopper pin	2
47	13528004		送料轴	Dial stopper pin	1
48	13515007		送料轴	Screw	3
49	13510007		送料轴	Feed drive eccentric cam	1
50	13505005		送料轴	Blocker shaft connecting rod	1
51	13505006		送料轴	Feed regulator connecting rod	1
52	13502014		送料轴	Walking foot link	1
53	13505007		送料轴	Walking foot pin	2
54	01511025		送料轴	Screw	1
55	13505008		送料轴	connecting link	2
56	13528003		送料轴	Walking foot link	1
57	01511012		送料轴	Screw	1
58	01511007		送料轴	Screw	1
59	13502015		送料轴	Hinge pin	1
60	13504007		送料轴	Walking foot adjusting link	1
61	13502016		送料轴	Adjusting link fulcrum shaft	1
62	01511019		送料轴	Screw	2
63	13502017		送料轴	Adjusting link fulcrum shaft	1
64	13512011		送料轴	Feed regulator key press	1
65	13527009		送料轴	Dial spring for stopper pin	1
66	13510001		送料轴	Feed drive eccentric cam	1
67	13515007		送料轴	Screw	3
68	13528002		送料轴	Thrust collar	1
69	13505001		送料轴	Connecting rod	1
70	13627003		送料轴	Spring for feed crank	1
71	13626003		送料轴	pin	1
72	13504001		送料轴	pin	1
73	13612004		送料轴	Reverse feed lever	1
74	13633001		送料轴	Screw	1
75	01511012		送料轴	Screw	1
76	13521005		送料轴	bushing	1
77	01511027		送料轴	Screw	1



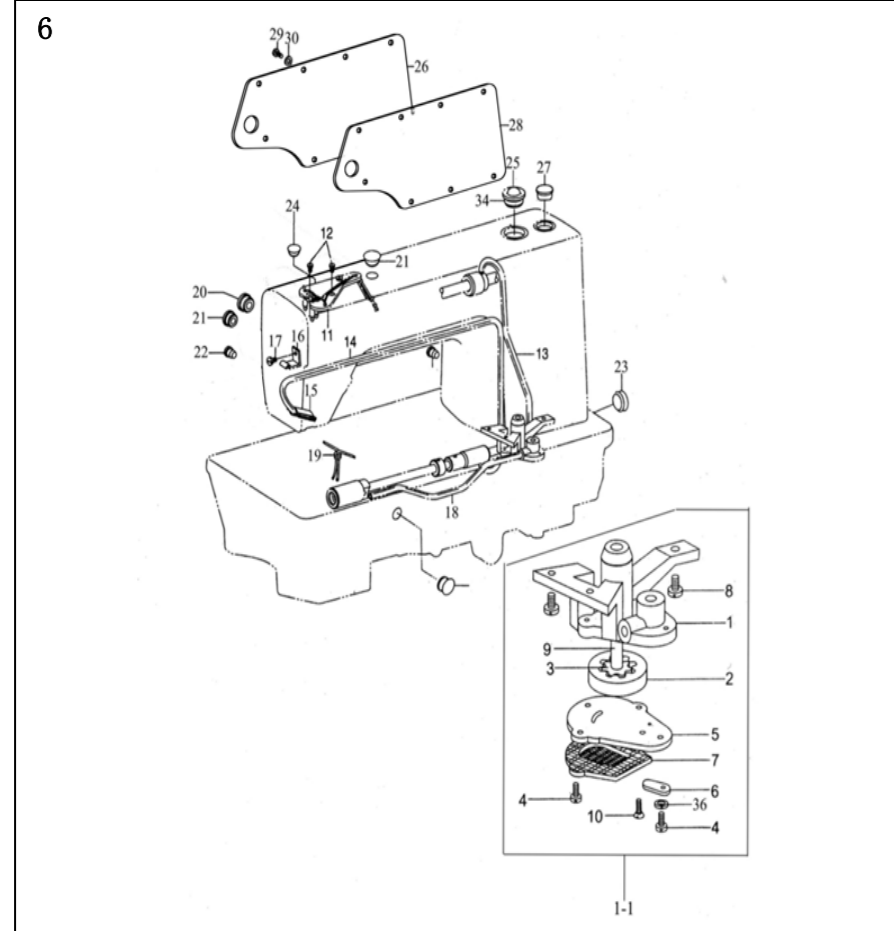
### 6. 润滑油件 Oil lubrication components

序号NO.	公司件号	Part NO.	名称PartName	零件描述Description	数量Number
1-1	1332000200		油泵组件	Oil pump assm	1
1	13320001		油泵体	Oil pump	1
2	13325005		油泵大齿轮	Big gear for oil pump	1
3	13325006		油泵小齿轮	Small gear for oil pump	1
4	133511037		油泵油封圈螺栓	Screw	3
5	13312021		油泵盖	Cover for oil pump	1
6	13312022		油泵盖衬板	Adjusting plate for oil pump	1
7	1331202300		油泵滤网组件	Filter complete	1
8	10511019		油泵轴	Shaft for oil pump	1
9	13302024		油泵轴密封垫圈	Seal ring for oil pump	1
10	502024		油泵轴密封垫圈	Seal ring for oil pump	2
11	1331202400		油泵固定板大组件	Oil wick set plate complete	1
12	101511010		油泵固定板	Oil wick	2
13	1332100700		上轴管管套	Oil pipe complete for upper shaft	1
14	12221001		回油管 φ28x4	Oil return pipe	1
15	13323003		回油管密封垫	Oil felt	1
16	13312025		回油管管夹	Pipe return pipe clamp	1
17	201511014		回油管管夹螺栓	Screw	1
18	1362100100		下轴管管套	Oil pipe for arm shaft	1
18-1	13621001		下轴管管套	Oil pipe for shaft	1
18-2	13630001		下轴管管套	Oil pipe	1
19	10423004		棉线 5x220x2, 5x200	Oil wick	2
20	13322001		橡胶堵头(φ19)	Rubber plug(φ19)	1
21	13322002		橡胶堵头(φ11.8)	Rubber plug(φ11.8)	2
22	13322003		橡胶堵头(φ8.5)	Rubber plug(φ8.5)	4
23	13322004		橡胶堵头(φ27)	Rubber plug(φ27)	1
24	13322005		橡胶堵头(φ5.7)	Rubber plug(φ5.7)	1
25	10111004		视窗	Oil sight window	1
26	303484		视窗板	Slide plate	1
27	13322008		橡胶堵头(φ25.5)	Rubber plug(φ25.5)	1
28	13622016		视窗板密封垫圈	Gasket	1
29	113511001		视窗板螺栓	Screw	8
30	10120003		视窗板密封垫圈	Washer	8
31	13312008		视窗板衬板	Seep off plate	1
32	101511005		小轴轴套	Screw	4
33	13322011		小轴轴套	Gasket	1
34	10122019		弹簧垫圈	Spring	1
35	13322018		尼龙杆橡胶垫圈	Rubber gasket	1
36	40202001		尼龙杆橡胶垫圈	Seal washer	1



### 5. 钩组件 Hook components

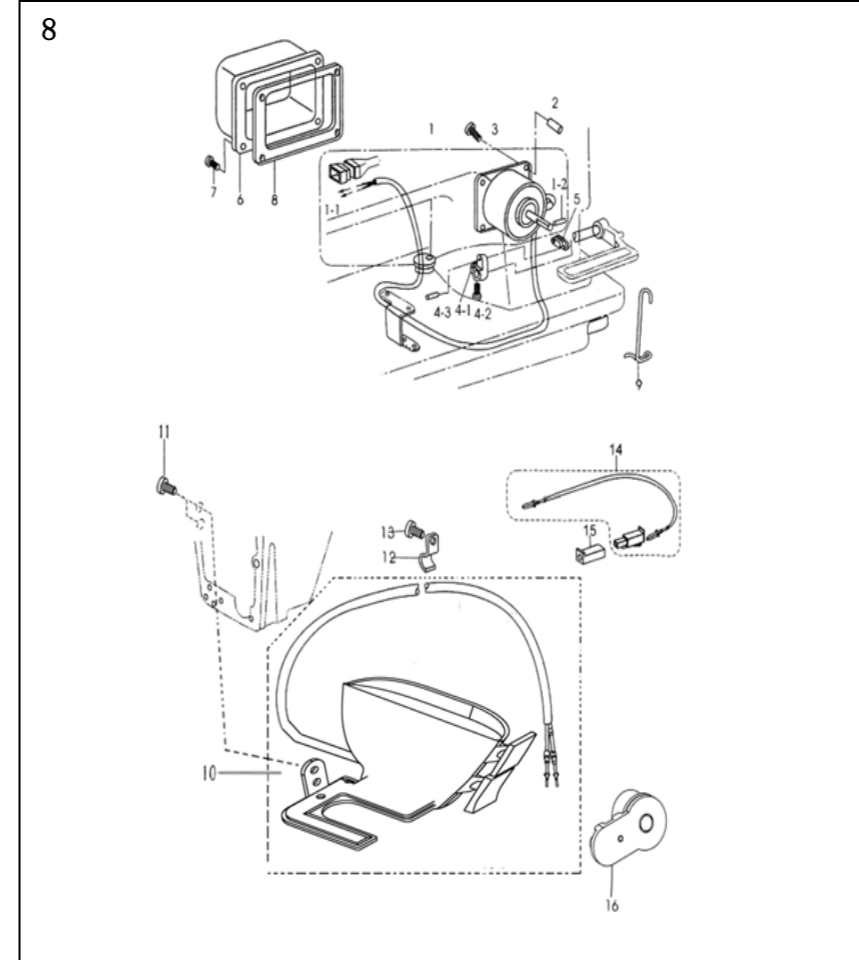
序号NO.	公司件号	Part NO.	名称PartName	零件描述Description	数量Number
1	13302002		钩轴	Hook shaft	1
2	13322001		上轴轴套	Gear assm.	1
3	10151007		螺栓	Screw	8
4	13322002		钩轴轴套(上)	Gear assm.	1
5	13322003		钩轴轴套(下)	Flation assm.	1
6	13322004		钩轴轴套(上)	Gear assm.	1
7	13302004		钩轴轴套(上)	Housing,upper	1
8	13602005		钩轴轴套衬套	Spring shaft bushing,upper	1
9	133515008		钩轴轴套	Hook assm.	2
10	13618001		螺母	Nut	1
11	1018501		钩头	Hook assm.	1
12	13618003		钩轴轴套	Hook driving shaft	1
13	13602006		钩轴轴套	Oil wick	1
14	11422003		钩轴轴套螺栓	Screw	1
15	13352007		钩轴轴套	Housing,front	1
16	13602008		钩轴轴套衬套	Oil adjusting screw	1
17	13352008		钩轴轴套衬套	Spring	1
18	13327005		钩轴轴套	Throat collar assm.	1
19	1018002		钩轴轴套螺栓	Screw	1
20	101511012		钩轴轴套(后)	Housing, rear	2
21	13602009		钩轴轴套螺栓	Screw	2
22	133515009		钩头	Flange	2
23	13302008		钩头弹簧	Flange spring	1
24	13327006		钩头	Slide plate	1
25	13312009		钩头	Screw	1
26	133511019		钩头定位销	Rotating hook positioner	1
27	13612005		钩头定位销螺栓	Screw	1
28	101511011		钩头衬套	Housing,middle	1
29	13602010		钩头轴套密封垫圈	Washer	1
30	13628003		钩头轴套密封垫圈	Washer	2
31	40202004		钩头轴套油管	Oil pipe for hook shaft bushing	1
32	13321001		钩头轴套油管	Flange	1
33	11522001		钩头轴套	Thread trimmer can	1
34	13610003		钩头轴套螺栓	Screw	1
35	116510005		钩头轴套螺栓	Screw	2



### 7. 剪线分组件

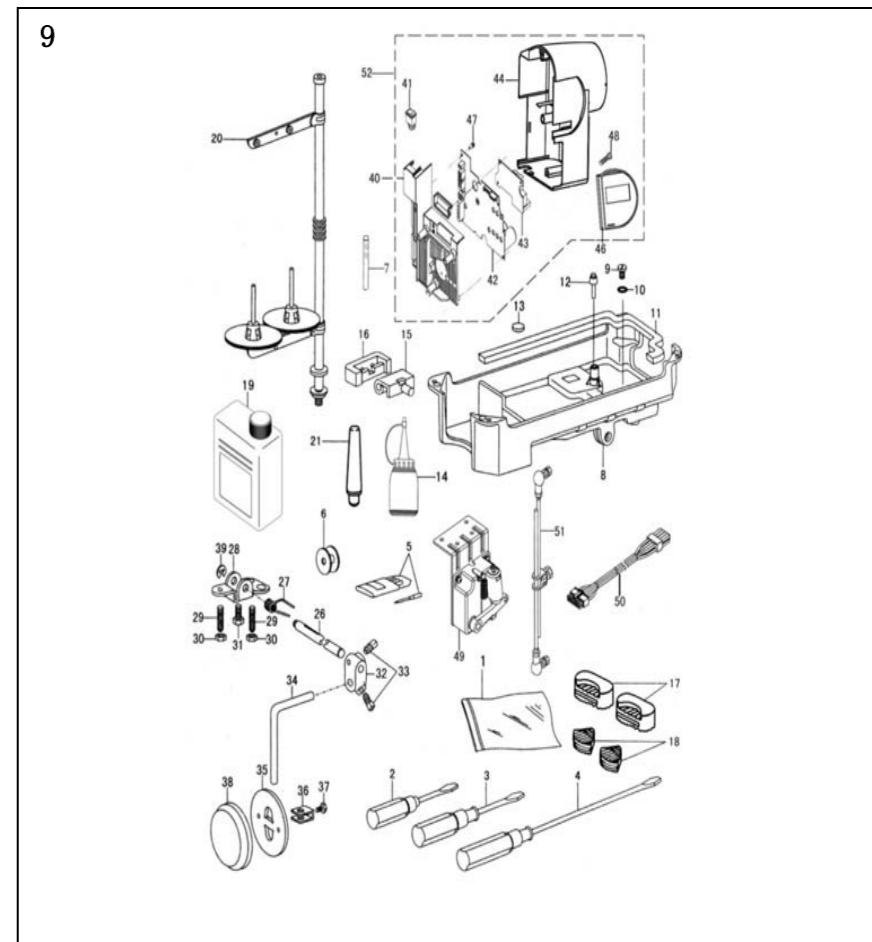
序号NO.	公司件号	Part NO.	名称PartName	零件描述Description	数量Number
1	13612006		剪线轴	Thread trimmer driving lever	1
2	13612007		轴头	Adapter	1
3	13622001		轴头螺栓	Screw	1
4	13612008		轴头衬套	Adapter	1
5	305323005		轴头螺栓	Screw	2
6	13602007		轴头轴套	Shaft	1
7	13627004		轴头轴套	Spring	1
8	30549004		轴头轴套	Throat collar assm.	1
9	101511005		轴头轴套螺栓	Screw	2
10	201511020		轴头轴套螺栓	Screw	1
11	114550005		轴头轴套螺母	Nut	1
12	1363001200		轴头轴套螺母	Thread electromagnet drive assembly	1
13	201511029		轴头轴套螺母	Screw	4
14			轴头轴套	Screw	1
15			轴头轴套	Collar clip	1
16			轴头轴套	Plug connector	2
17	13628005		轴头轴套	Pin	1
18	405012		轴头轴套	Ring	2
19	1361300300		轴头轴套	Nut	1
20	116510010		轴头轴套	Nut	2
21	13612009		轴头轴套	The mounting plate	1
22	13610004		轴头轴套	Screw	1
23	13610005		轴头轴套	Screw	1
24	13610006		轴头轴套	Screw	1
25	13610007		轴头轴套	Bracket for filed blade	1
26	13612010		轴头轴套	Thread guide	1
27	101511005		轴头轴套	Screw	1
28	13617001		轴头轴套	Screw	1
29	13610001		轴头轴套	Filed blade	1
30	12202006		轴头轴套	File	1
31	12202007		轴头轴套	Blade holding bracket middle	1

31	13601009		刀架(左)	Blade base (left)	1
32	101511020		轴头轴套螺栓	Screw	1
33	13604001		轴头轴套	Blade driving crank	1
34	13623002		轴头轴套	Screw	2
35	13605001		轴头轴套	Link	1
36	122517006		轴头轴套	Screw	3
37	13622004		轴头轴套	Washer	1
38	13619002		轴头轴套	Mobile knife (left)	1
39	13617003		轴头轴套	Adjusting plate for oil pump	1
40	13603008		轴头轴套	Blade driving shaft	1
41	13604002		轴头轴套	Blade driving crank	1
42	13601010		轴头轴套	Blade base	1
43	13627005		轴头轴套	Spring	1
44	13612011		轴头轴套	Shaper plate	1
45	13611002		轴头轴套	Screw	2
46	13601011		轴头轴套	Shaper	1
47	13627006		轴头轴套	Spring	1
48	101511002		轴头轴套	Screw	2
49	10100011		轴头轴套	Throat collar assm.	1
50	13622005		轴头轴套	Washer	1
51	13604003		轴头轴套	Blade driving crank	1
52	13623003		轴头轴套	Screw	2
53	13609002		轴头轴套	Nut	2
54	13617005		轴头轴套	Blade driving	1
55	13612012		轴头轴套	Blade driving	1
56	13628005		轴头轴套	Blade driving	1
57	13617004		轴头轴套	Blade driving	1
58	13628006		轴头轴套	Blade driving	1
59	13628007		轴头轴套	Blade driving	1
60			轴头轴套	Blade driving	1
61			轴头轴套	Blade driving	1
62	101511025		轴头轴套	Screw	4
63	13628011		轴头轴套	Blade driving	1
64	11222001		轴头轴套	Blade driving	1
65	13633002		轴头轴套	Blade driving	1
66	13628008		轴头轴套	Blade driving	1
67	136010000		轴头轴套	Blade driving	1
68	40202002		轴头轴套	Blade driving	1



### 8. 自动倒送料开关组件 Automatic reverse feed components

序号NO.	公司件号	Part NO.	名称PartName	零件描述Description	数量Number
1	136200000		轴头轴套	Electromagnet assembly	1
1-1	13620000		轴头	Plug	2
2	13620007		轴头轴套	Electromagnet link pin	4
3	13609011		轴头轴套	Nut	4
4	13611005		轴头轴套	Screw	4
4-1	13604004		轴头轴套	Electromagnet crank assembly	1
4-2	13611002		轴头轴套	Spring	1
4-3	13603006		轴头轴套	Link pin	1
5	13605002		轴头轴套	Electromagnet solenoid rod	1
6	13601012		轴头轴套	Electromagnet cover	1
7	101511011		轴头轴套	Screw	4
8	13628009		轴头轴套	Washer	1
9	13627007		轴头轴套	Spring hook	1
10	13601100		轴头轴套	Switch assembly	1
10-1	13612013		轴头轴套	Switch mounting bracket	1
10-2	13611002		轴头轴套	Switch block	1
10-3	13611003		轴头轴套	Stop switch	1
10-4	13611004		轴头轴套	Switch contact number	1
10-5	13603002		轴头轴套	Switch assembly	1
10-6	13611014		轴头轴套	Switch mounting bracket	1
11	101511004		轴头轴套	Screw	2
12	13612020		轴头轴套	Washer	3
13	125511020		轴头轴套	Screw	2
14			轴头轴套	Stop switch	1
15			轴头轴套	Plug	1
16	136130000		轴头轴套	Little knife's rest electronic thread clamp device	1



### 9. 机头附件 Machine head accessories

序号NO.	公司件号	Part NO.	名称PartName	零件描述Description	数量Number
1	40131017		机头罩	Machine head cover	1
2	10131004		螺栓起子(小)	Screw driver (small)	1
3	10131004		螺栓起子(中)	Screw driver (middle)	1
4	10131002		螺栓起子(大)	Screw driver (large)	1
5	13517001		刀片	Blade	4
6	1018501		螺母	Nut	5
7	11212001		刀片衬套	Blade bar crank	1
8	13501007		刀片	Oil reservoir	1
9	13511014		刀片螺栓	Screw	1
10	401017		刀片轴套	Washer	1
11	13322006		刀片轴套	Gasket	1
12	13511006		刀片轴套	Knave press lifter rod	1
13	10131001		刀片轴套	Bracket	1
14	20131038		刀片轴套	Oil pot	1
15	10122006		刀片轴套	Rubber coat	2
16	101203100		刀片轴套	Ring	2
17	10122023		刀片轴套	Cushion (big)	2
18	10122022		刀片轴套	Cushion (small)	2
19	101101200		刀片轴套	Blade	1
20	1013100700		刀片轴套	Spool stand complete	1
21	1011011		刀片轴套	Frame support bar	1
22	13502015		刀片轴套	Flange pin	1
23	13527014		刀片轴套	Spring	1
24	13512028		刀片轴套	Knave lifter stop bracket	1
25	13515029		刀片轴套	Screw	2
26	3010229		刀片轴套	Nut	2
30	13512003		刀片轴套	Electromagnet assembly	1
32	10101008		刀片轴套	Connector	1
33	10121003		刀片轴套	Block with shaft screw	2
34	10122028		刀片轴套	Block with shaft screw	1
35	10112029		刀片轴套	Ball	1
36	10122030		刀片轴套	Ball bracket	1
37	10122004		刀片轴套	Screw	1
38	10122024		刀片轴套	Pat	1
39	405011		刀片轴套	Split stop ring	1
40			刀片轴套	Hot sink	1
41			刀片轴套	Electric control switch	1
42			刀片轴套	Circuit board	1
43			刀片轴套	A small circuit board	1
44			刀片轴套	The motor housings	1
46			刀片轴套	Operation panel	1
47			刀片轴套	Circuit board connecting screws	6
48	13613001		刀片轴套	Casing connection screws	3
49			刀片轴套	Electric control pedal	1
50			刀片轴套	The power cord	1
51			刀片轴套	Padal connecting rod	1
52	136330000		刀片轴套	Machine electric control	1
53	11652001		刀片轴套	Motor connection screws	1