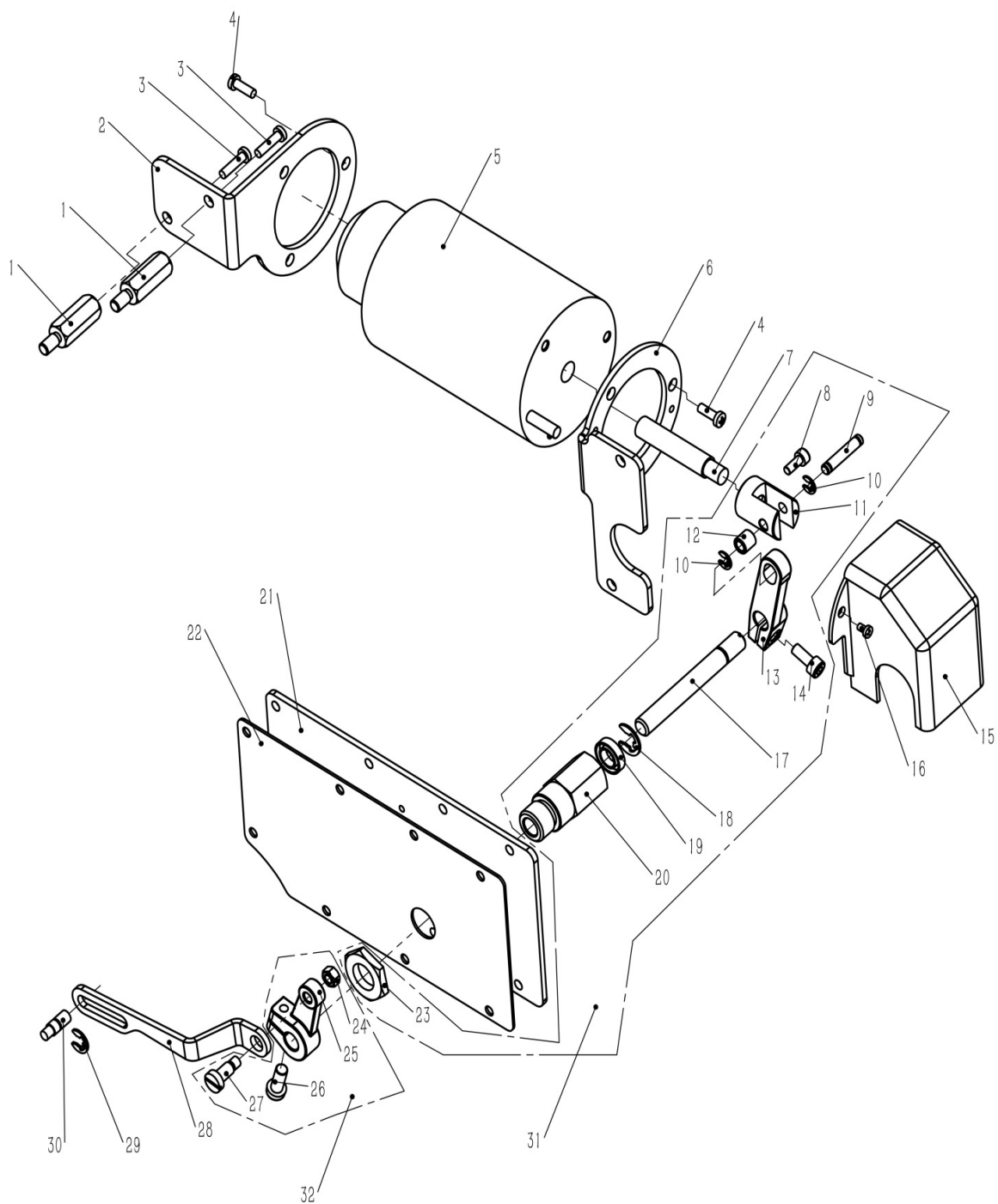


十一、自动抬压脚部件 Automatic presser foot parts



十一、自动抬压脚部件 Automatic presser foot parts					
序号 (NO.)	公司件号 (Ref. Part No)	名称	Description	数量 (Number)	备注
1	40712305	盖板连接前螺杆	Screw cover plate connection before	2	
2	302886	电磁铁安装板1 (喷漆)	Electromagnet mounting plate 1 (paint)	1	
3	421S10008	螺钉	screw	2	
4	403S11012	螺钉	screw	6	
5	13630013	抬压电磁铁	Lift the piezoelectric magnet	1	
6	302887	电磁铁安装板2 (喷漆)	Electromagnet mounting plate 2 (paint)	1	
7	13630013	电磁铁轴 (与电磁铁是配套)	Electromagnet axis (with the electromagnet is)	1	
8	S05038	接头螺钉	Joint screw	1	
9	11226007	电磁铁曲柄销	Electromagnet crank	1	
10	H05003	挡圈	Retaining ring	2	
11	11201007	电磁铁芯轴接头	Electromagnetic iron core shaft coupling	1	
12	11203003	曲柄套筒	Crank shaft sleeve	1	
13	11204005	电磁铁曲柄	Electromagnet crank	1	
14	S05013	螺钉	screw	1	
15	13612022	罩壳	The trim	1	
16	421S11009	螺钉	screw	2	
17	13602012	自动抬压脚轴	The presser foot lifter axis	1	
18	H05011	挡圈	Retaining ring	1	
19	13622006	油封	Oil seal	1	
20	13603022	套筒	The sleeve	1	
21	302885	后盖板 (喷漆)	HouGaiBan (paint)	1	
22	13622015	后窗板垫	The shutters pad	1	
23	112S16011	套筒螺母	Sleeve nut	1	
24	112S16012	拉杆螺母	Rod nut	1	
25	11204004	自动抬压脚曲柄	Automatic presser foot crank	1	
26	S05004	螺钉	screw	1	
27	112S20008	拉杆螺钉	Rod screw	1	
28	13612020	拉杆	Tie rod	1	
29	H05003	挡圈	Retaining ring	1	
30	136S11019	抬压脚拉杆螺钉	The presser foot lever screw	1	
31	1361201500	自动抬压脚配件	Automatic presser foot accessories	1	
32	4070430200	自动抬压脚曲柄组件	Automatic presser foot crank component	1	