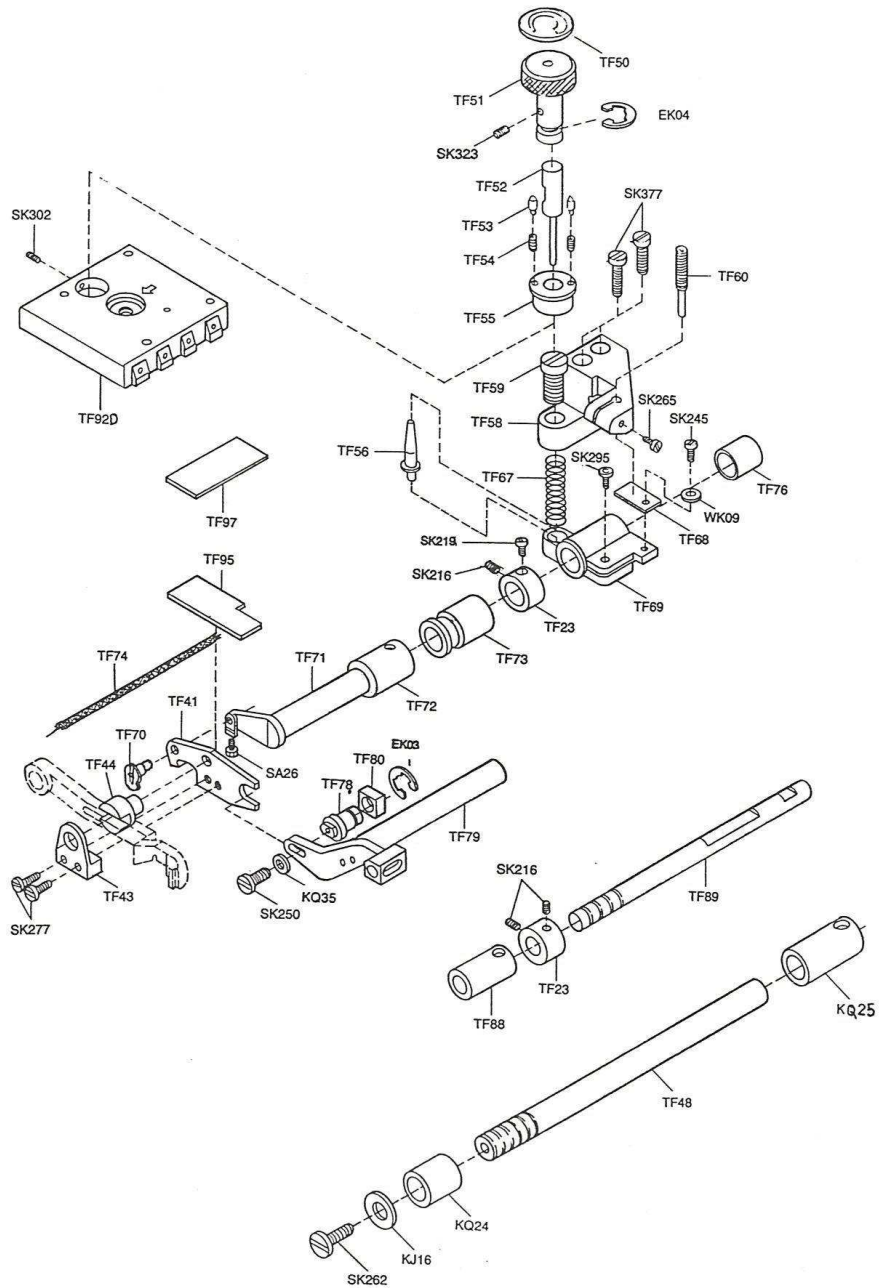


TOP FEED MECHANISM



TOP FEED TYPE	NEEDLE PLATE	FEED DOG			PRESSER FOOT	TOP FEED DOG	LOOPER	NEEDLE HOLDER	NEEDLE DC27
		MAIN	AUX.	DIFF					
FT- 514M2-24	E809	D440	D095	H445	P454-A	D453	LP38	KG142	# 9
FT- 514H4-24	E809	D440	D095	H445	P454-A	D453	LP38	KG142	# 9
FT- 516M2-35 -56	E861	D489	D502	H497	P466-A	D469	LP38	KG153 KG155	#14
	E866			H500	P463-A				
FT- 516H4-35 -56	E861	D489	D502	H498	P466-A	D469	LP38	KG153 KG155	#14
	E866			H500	P463-A				
RT- 514M2-24	E809	D440	D095	H445	P068/ F875-A	D070	LP38	KG142	# 9
RT- 516M2-35 -56	E169	D066	D067	H497	P053-A	D064	LP38	KG153 KG155	# 9
	E129			H500	P056-A				