

SIRUBA

PARTS LIST

Series

700KST

Parts Group

KA

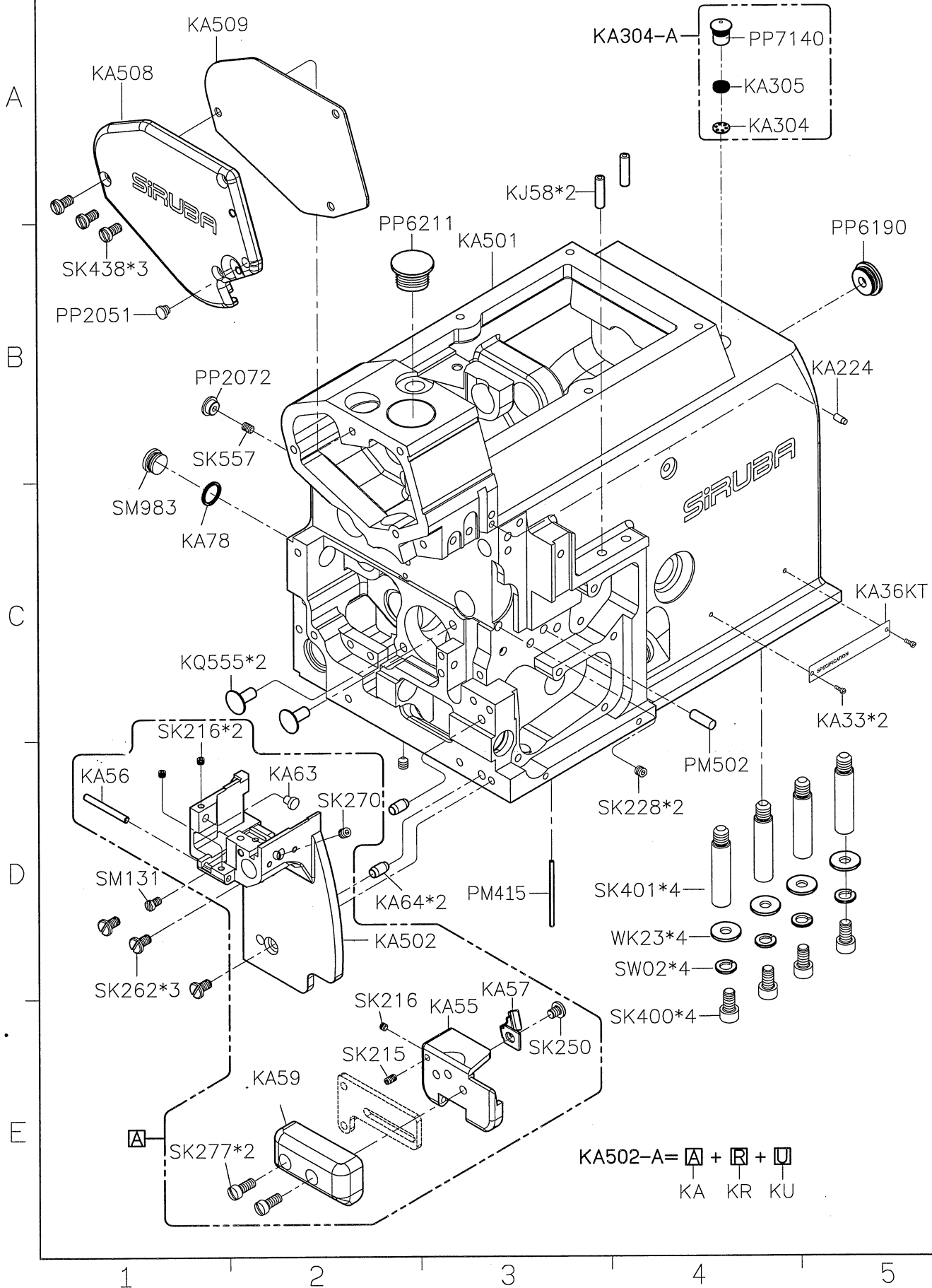
Subclass / Remark

Page

1/1

Date

2014/10/14



SIRUBA

PARTS LIST

Series

700KST

Parts Group

KB

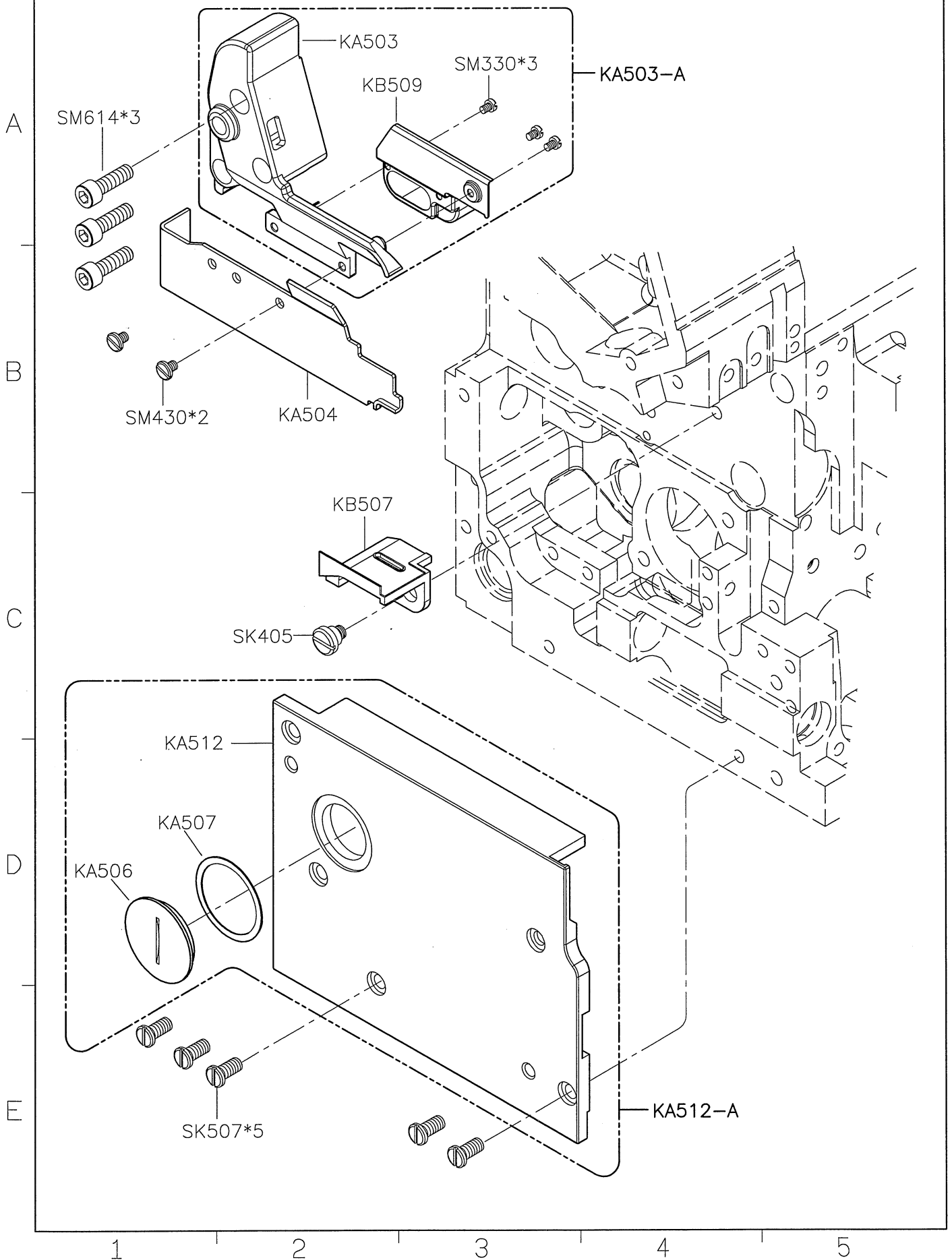
Subclass / Remark

Page

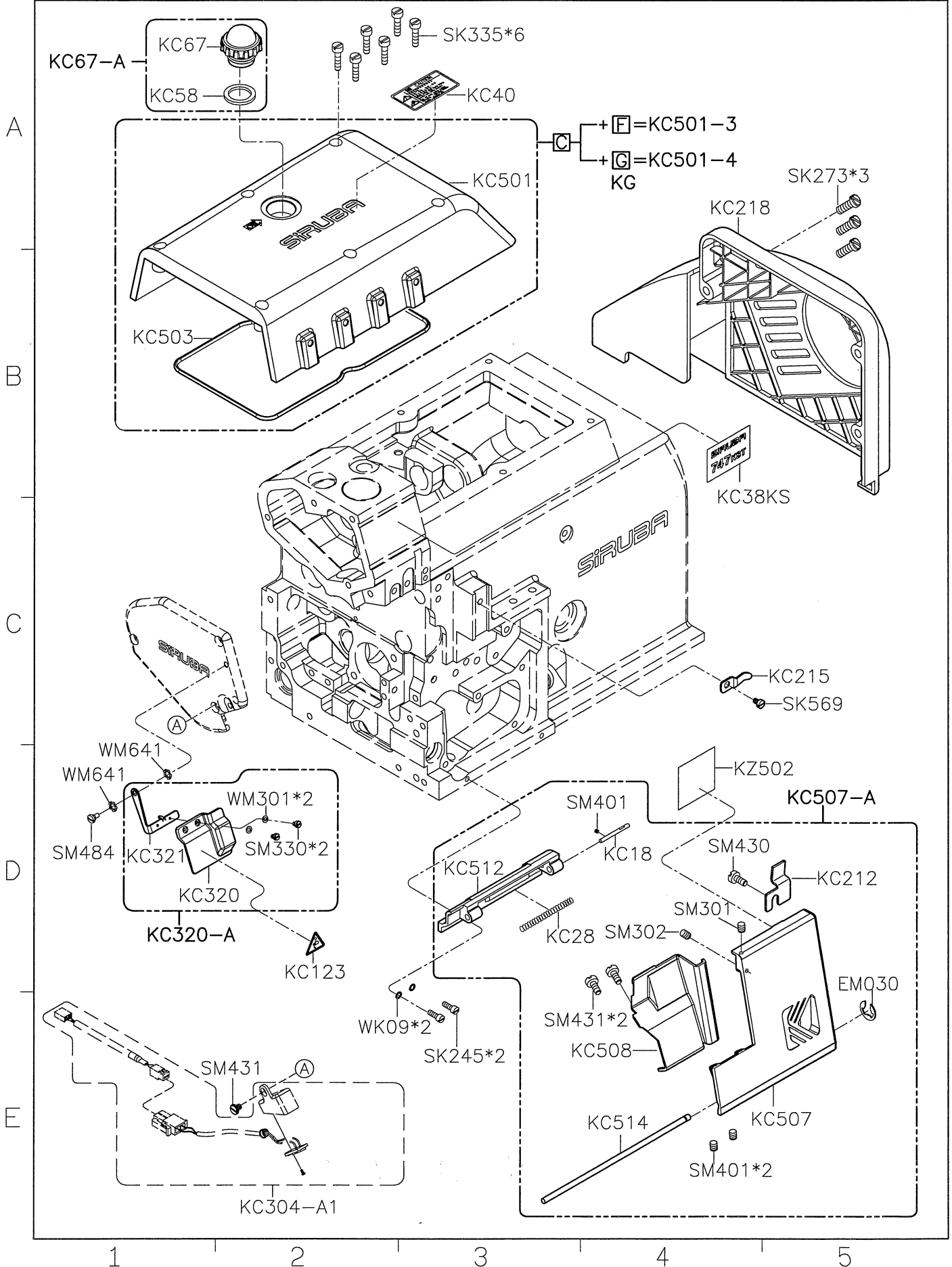
1/1

Date

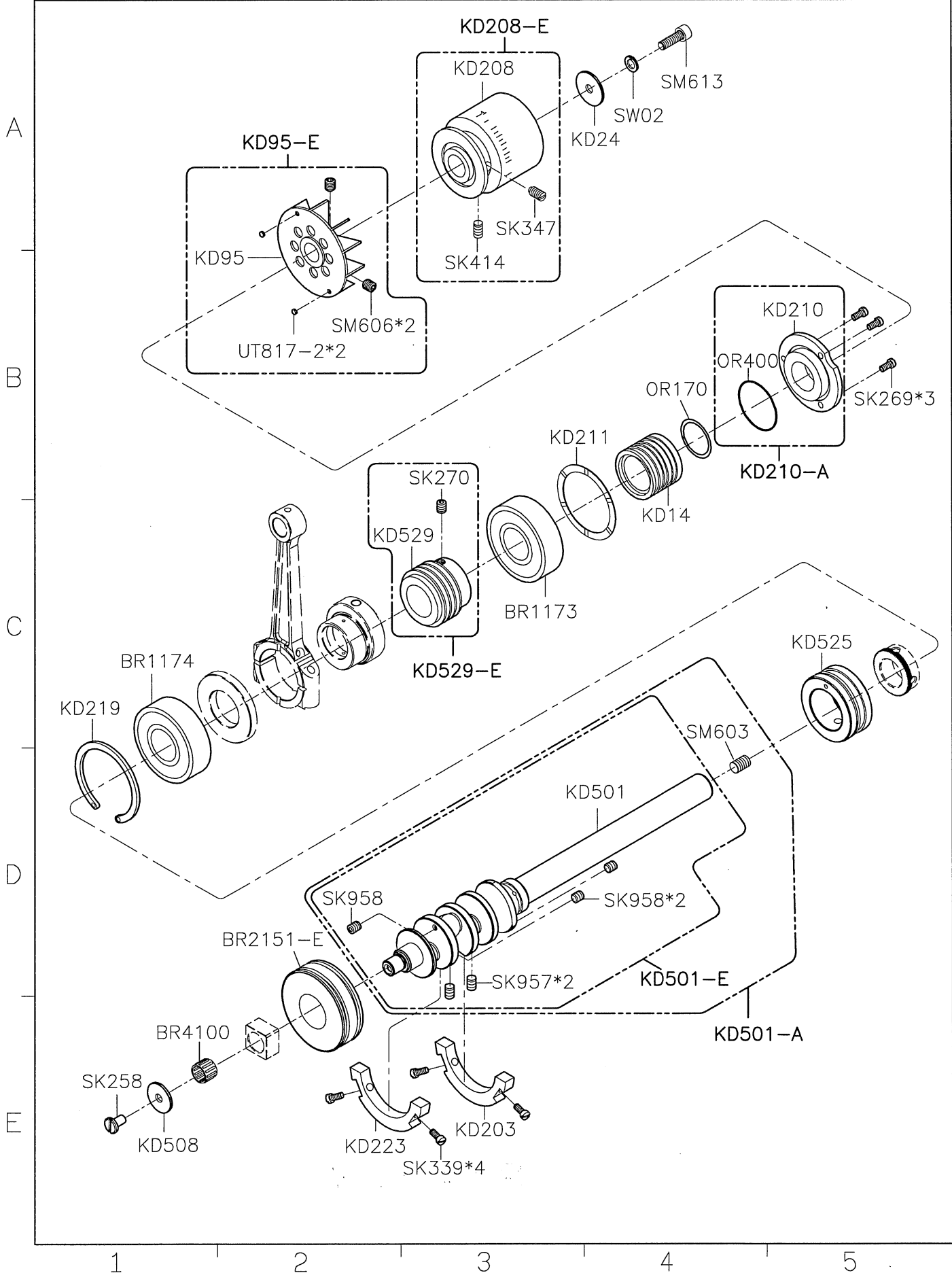
2014/03/05



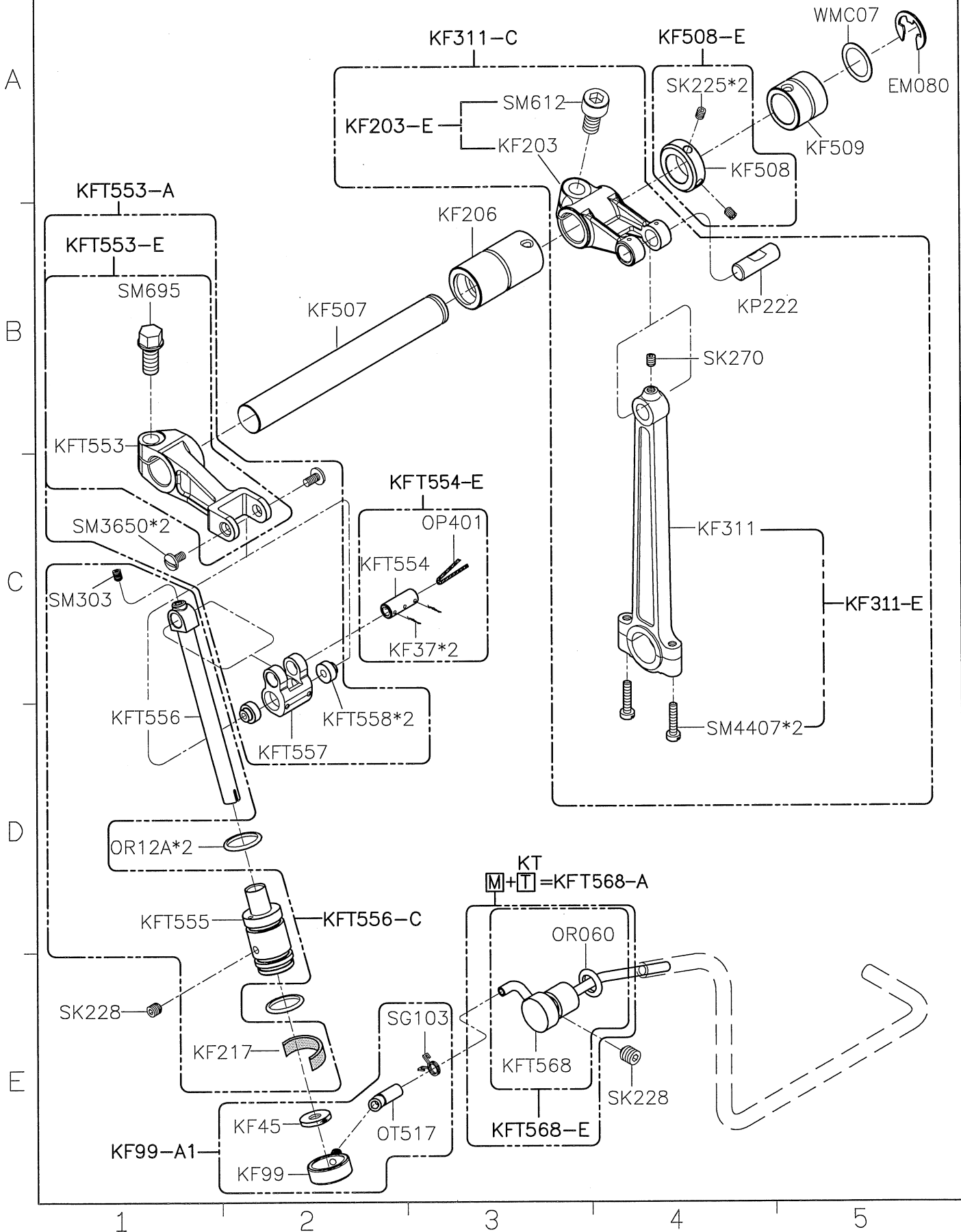
| SIRUBA PARTS LIST | Series | Parts Group | Subclass / Remark | Page |
|----------------------|--------|-------------|-------------------|------------|
| | 700KST | KC | | 1/1 |
| | | | | Date |
| | | | | 2014/10/01 |



| SIRUBA PARTS LIST | Series | Parts Group | Subclass / Remark | Page |
|----------------------|--------|-------------|-------------------|------------|
| | 700KST | KD | | 1/1 |
| | | | | Date |
| | | | | 2014/09/19 |



| SIRUBA PARTS LIST | Series | Parts Group | Subclass / Remark | Page |
|----------------------|--------|-------------|-------------------|------------|
| | 700KST | KF | | 1/1 |
| | | | | Date |
| | | | | 2014/05/20 |



SIRUBA

PARTS LIST

Series

700KST

Parts Group

KG

Subclass / Remark

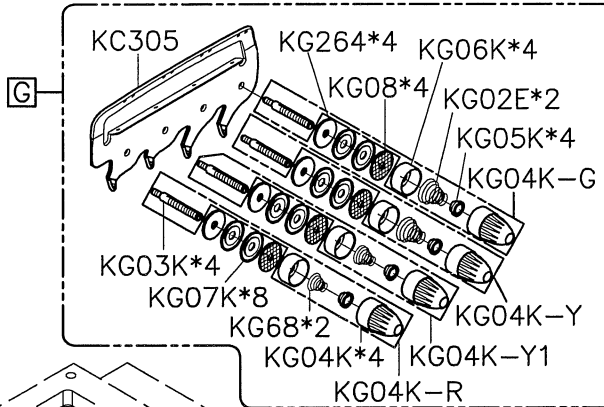
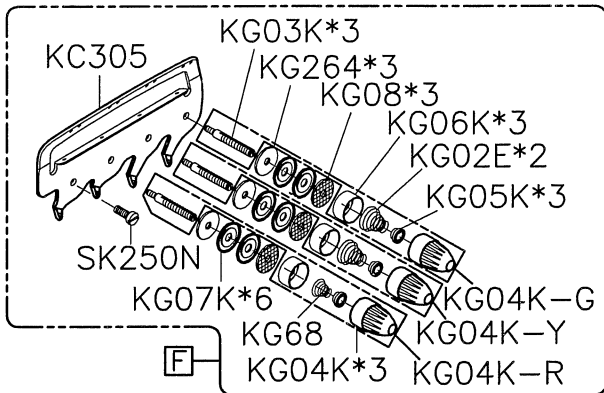
Page

1/1

Date

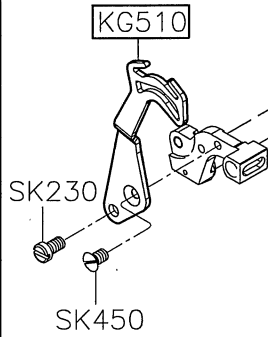
2014/10/14

A

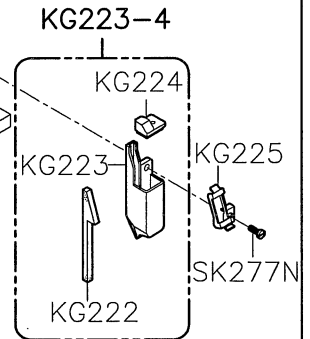


B

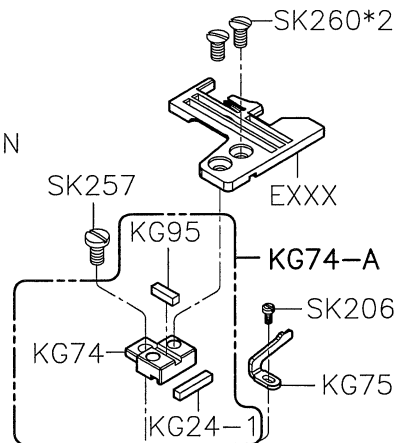
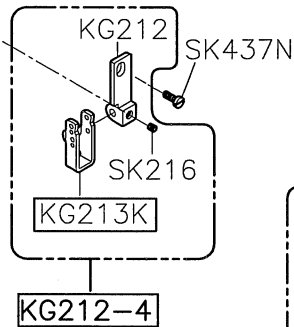
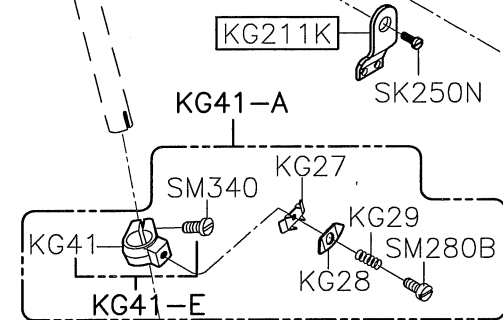
| MODEL | #3 | #4 |
|----------|---------|---------|
| PARTS NO | KG262 | KG211K |
| | KG248 | KG213K |
| | KG93 | KG92 |
| | KG509 | KG510 |
| | KG212-3 | KG212-4 |



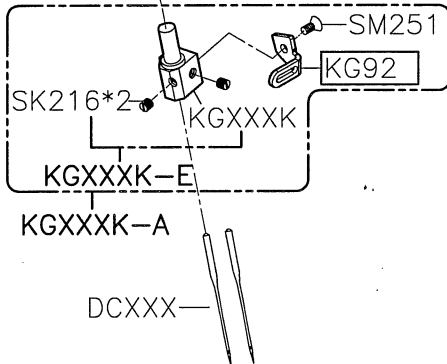
C



D



E



1

2

3

4

5

SIRUBA

PARTS LIST

Series

700KST

Parts Group

KJ

Subclass / Remark

Page

1/1

Date

2014/07/07

| MODEL | #3 | #4 |
|----------|---------|---------|
| PARTS NO | KJ516 | KJ513 |
| | KJ516-E | KJ513-E |
| | KJ516-C | KJ513-C |

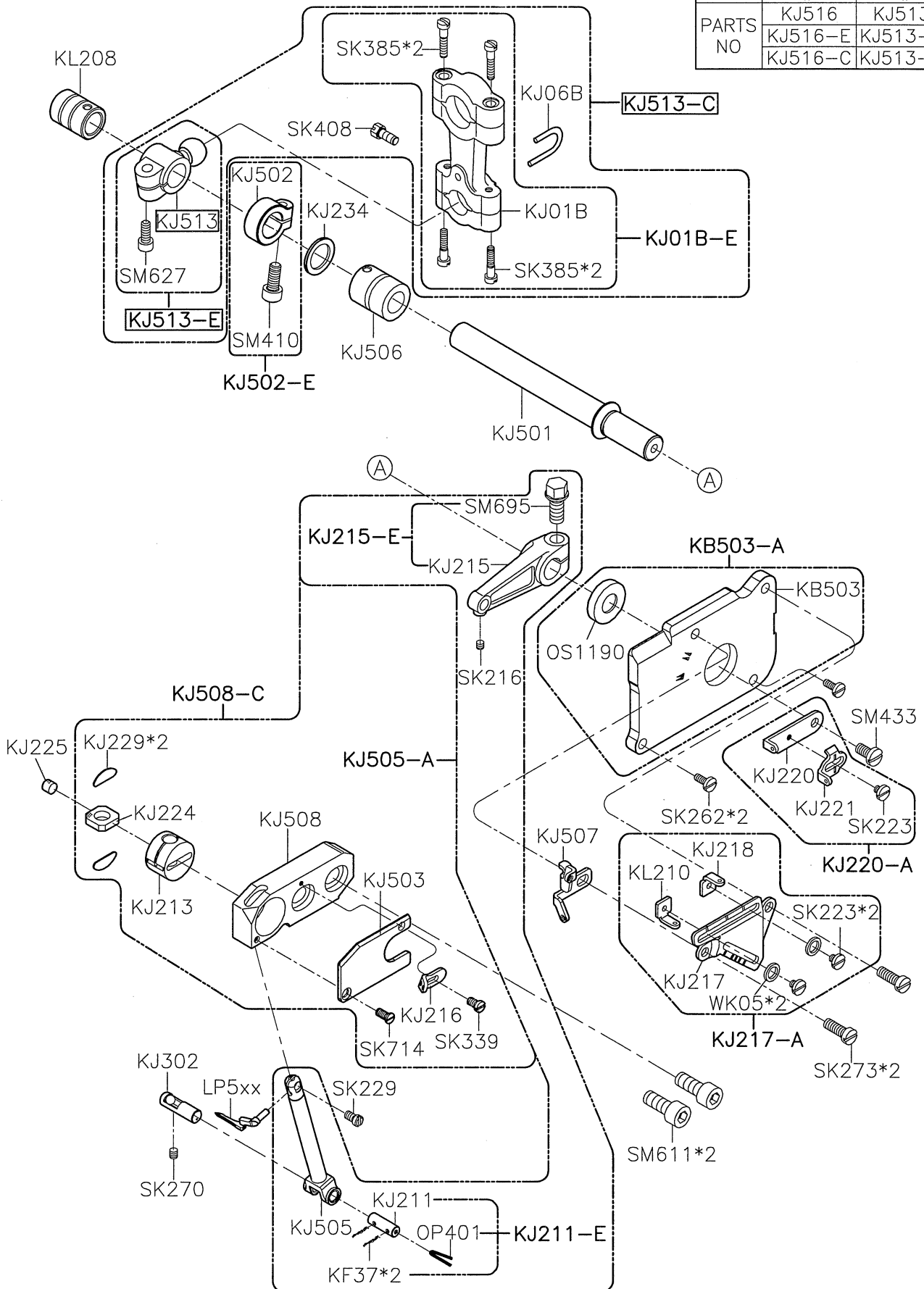
A

B

C

D

E



1

2

3

4

5

SIRUBA

PARTS LIST

Series

700KST

Parts Group

KL

Subclass / Remark

Page

1/1

Date

2013/11/21

| | | |
|----------|----------|---------|
| MODEL | #3 | #4 |
| PARTS NO | KL502A | KL502 |
| | KL514-A1 | KL514-A |

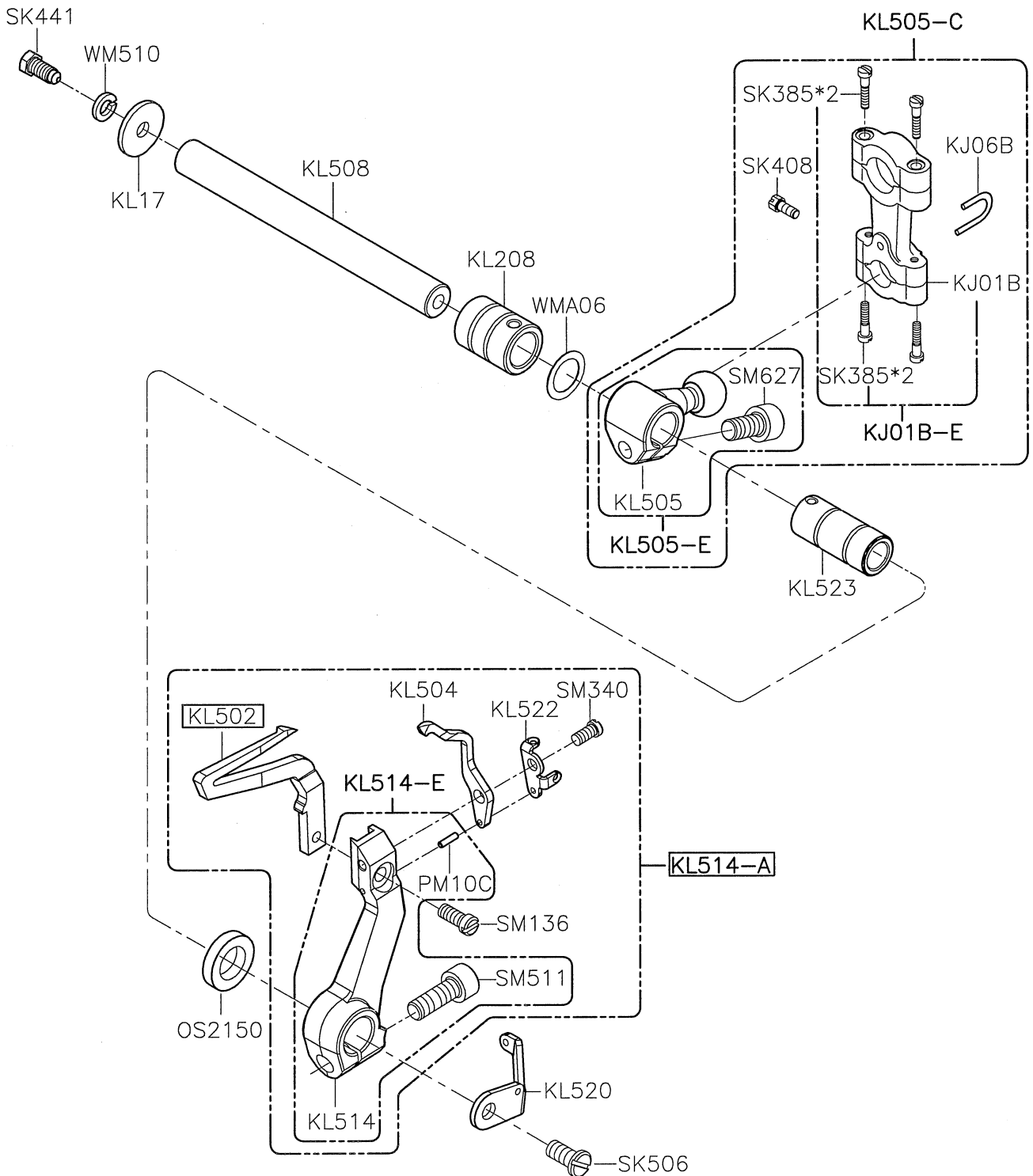
A

B

C

D

E



1

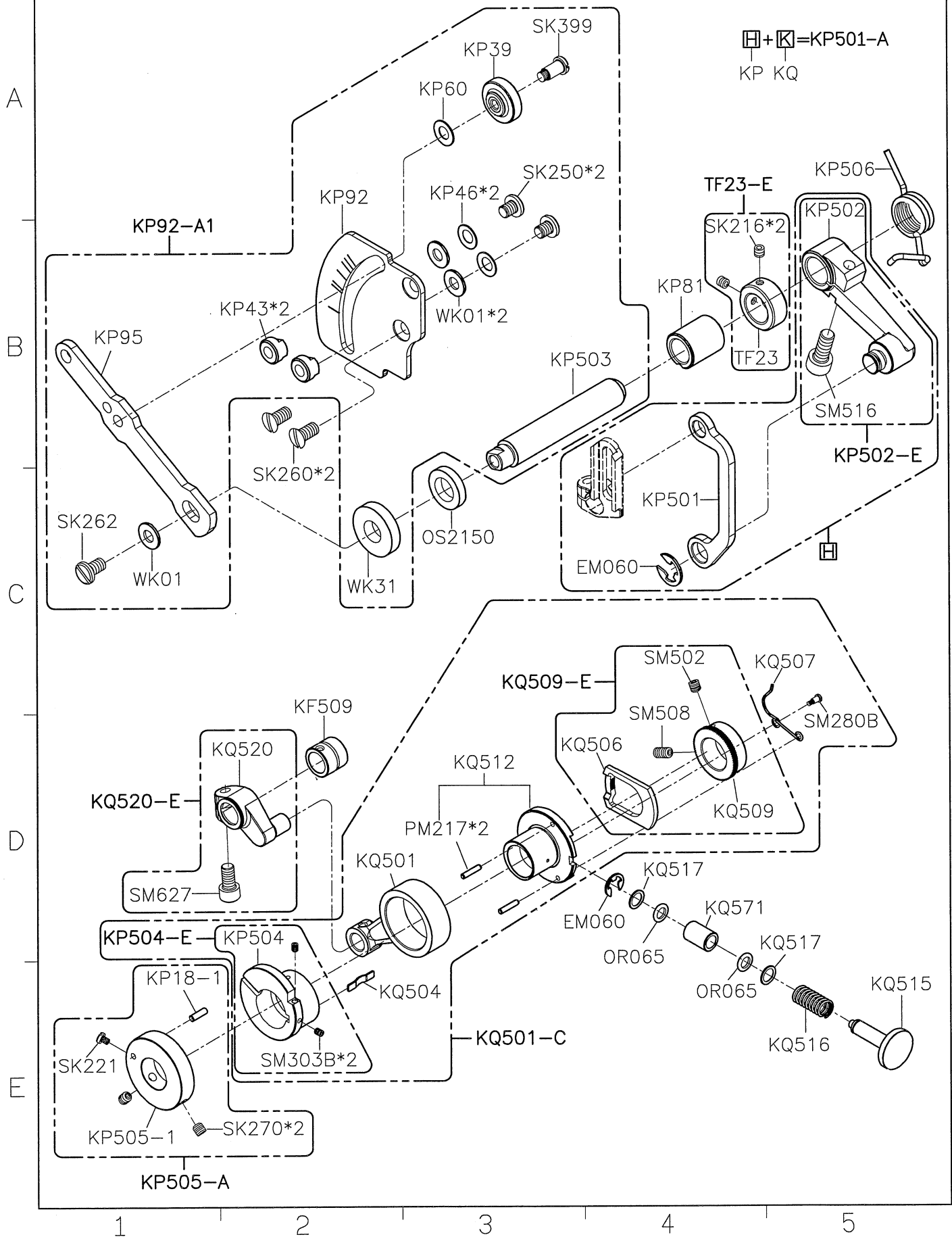
2

3

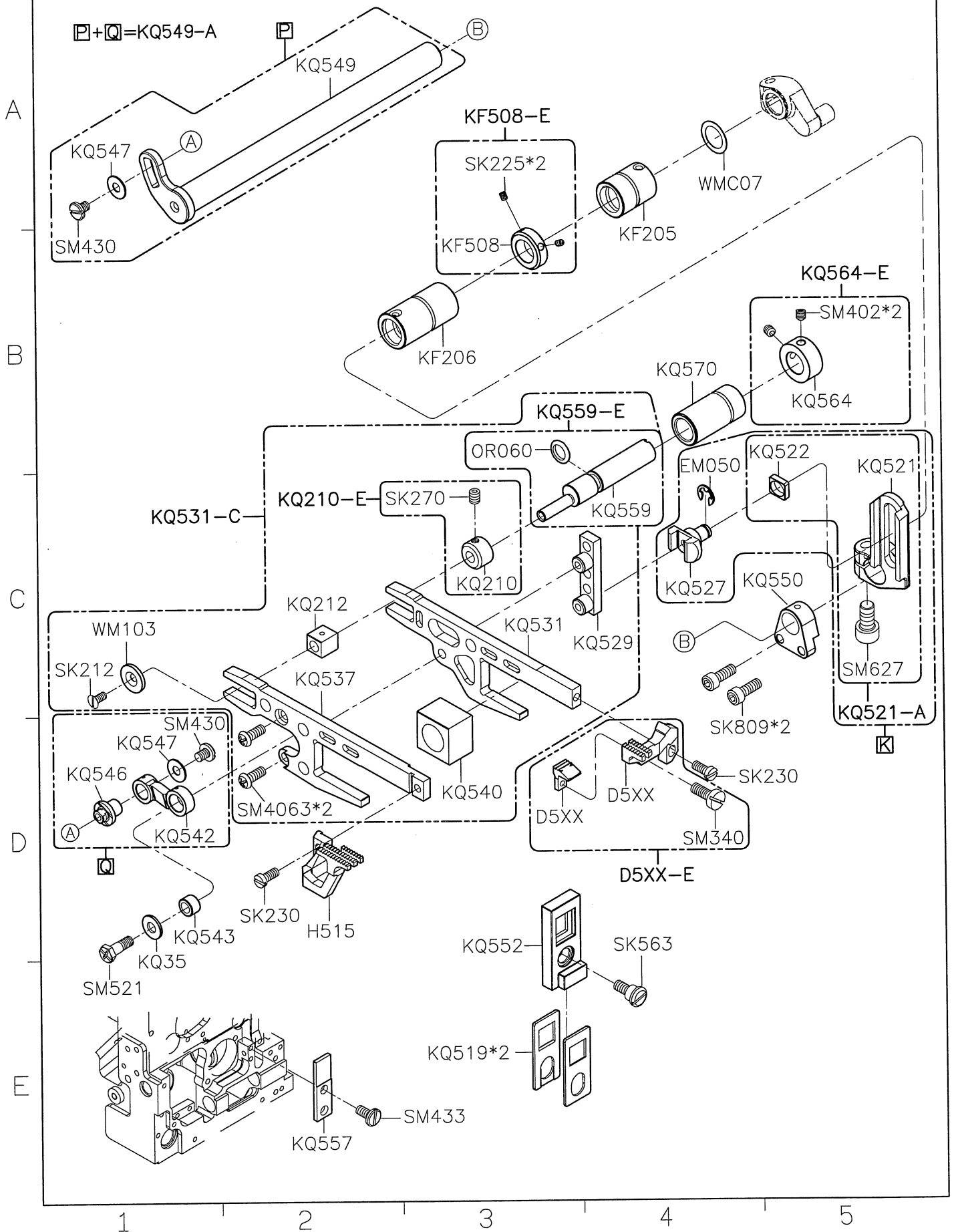
4

5

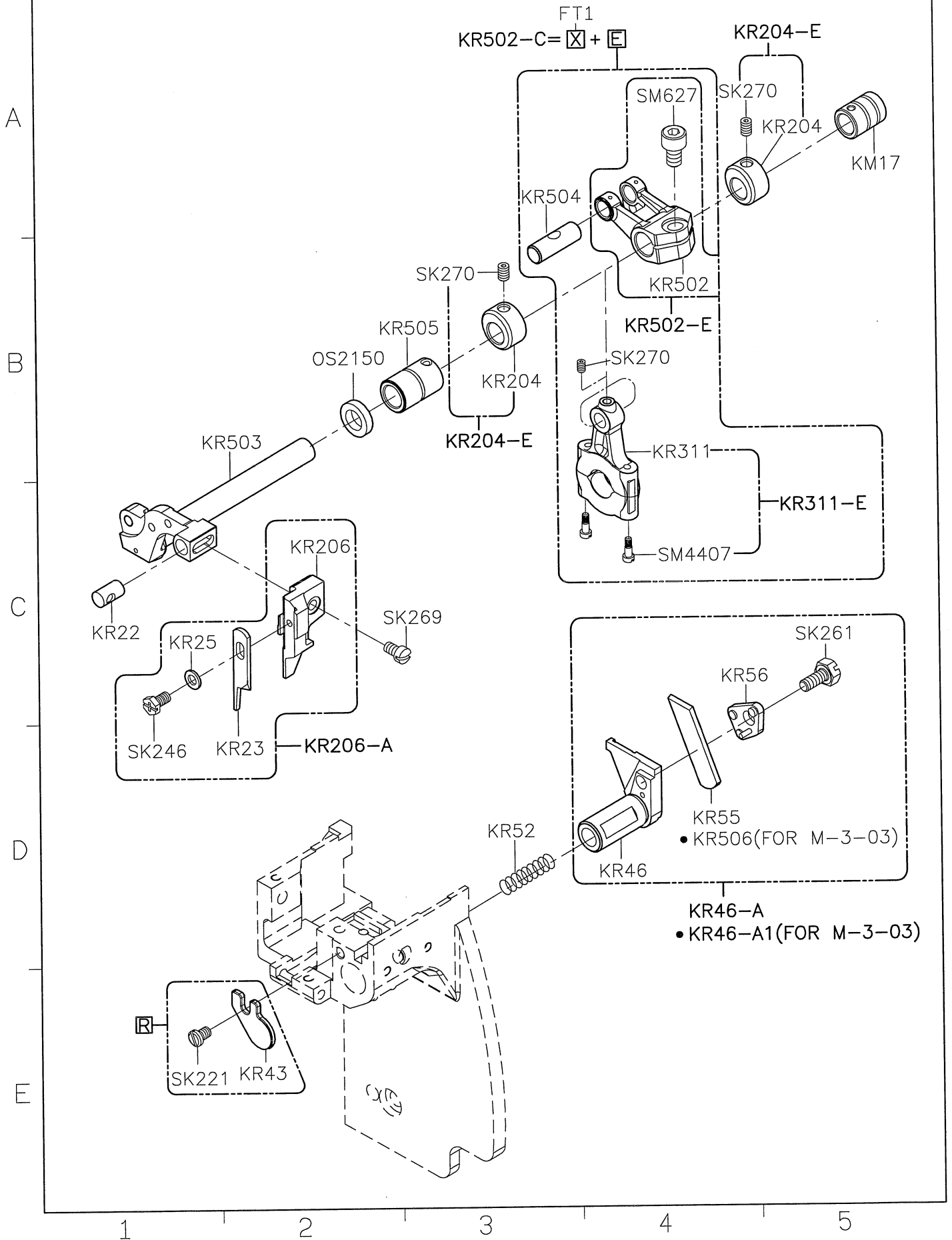
| | | | | |
|-----------------------------|--------|-------------|-------------------|------------|
| SIRUBA PARTS LIST | Series | Parts Group | Subclass / Remark | Page |
| | 700KST | KP | | 1/1 |
| | | | | Date |
| | | | | 2014/08/22 |



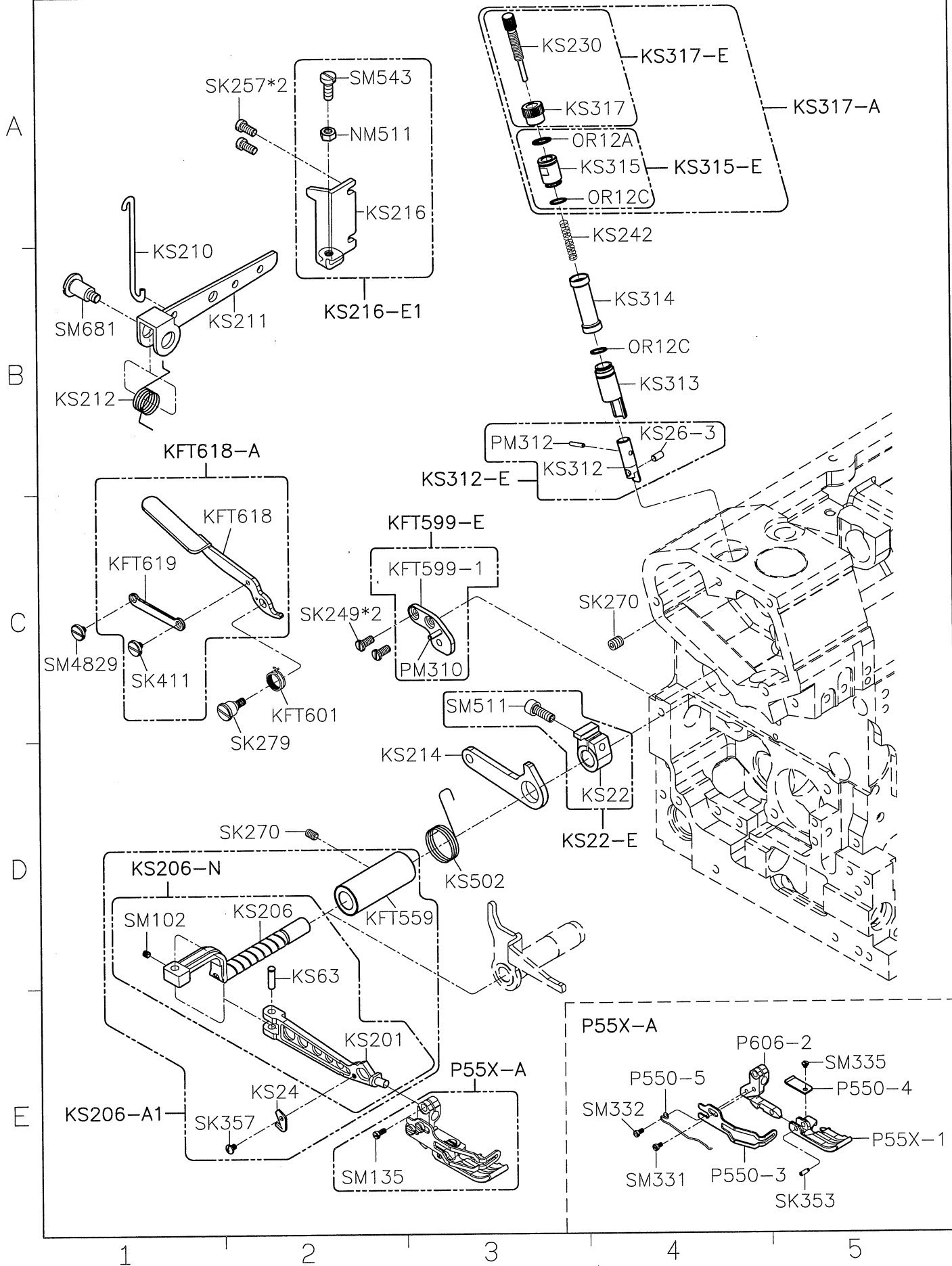
| SIRUBA PARTS LIST | Series | Parts Group | Subclass / Remark | Page |
|----------------------|--------|-------------|-------------------|------------|
| | 700KST | KQ | | 1/1 |
| | | | | Date |
| | | | | 2014/06/04 |

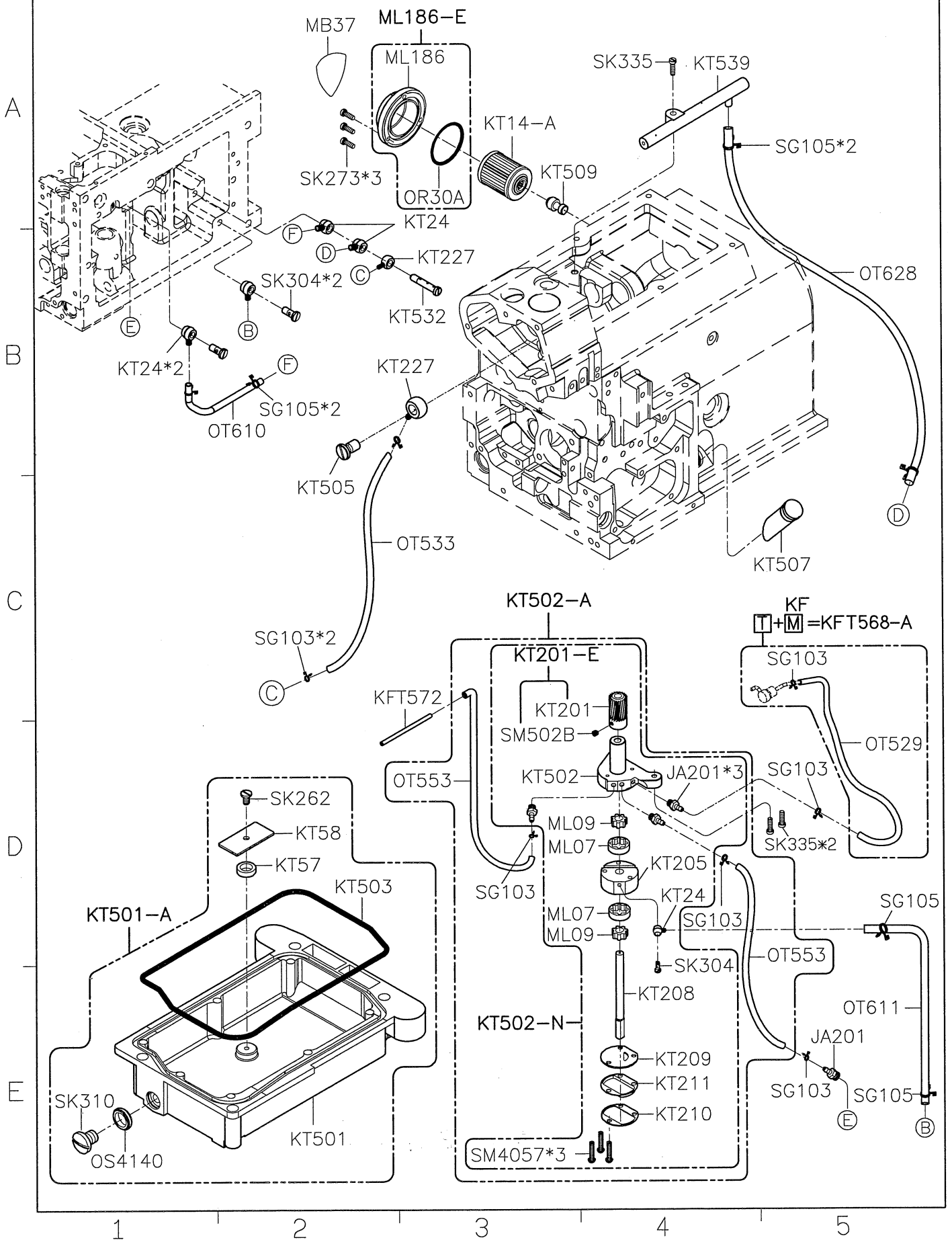


| SIRUBA PARTS LIST | Series | Parts Group | Subclass / Remark | Page |
|----------------------|--------|-------------|-------------------|------------|
| | 700KST | KR | | 1/1 |
| | | | | Date |
| | | | | 2014/07/11 |



| SIRUBA PARTS LIST | Series | Parts Group | Subclass / Remark | Page |
|----------------------|--------|-------------|-------------------|------------|
| | 700KST | KS | | 1/1 |
| | | | | Date |
| | | | | 2014/10/22 |





| SIRUBA PARTS LIST | Series | Parts Group | Subclass / Remark | Page |
|----------------------|--------|-------------|-------------------|------------|
| | 700KST | KU | | 1/1 |
| | | | | Date |
| | | | | 2013/10/09 |

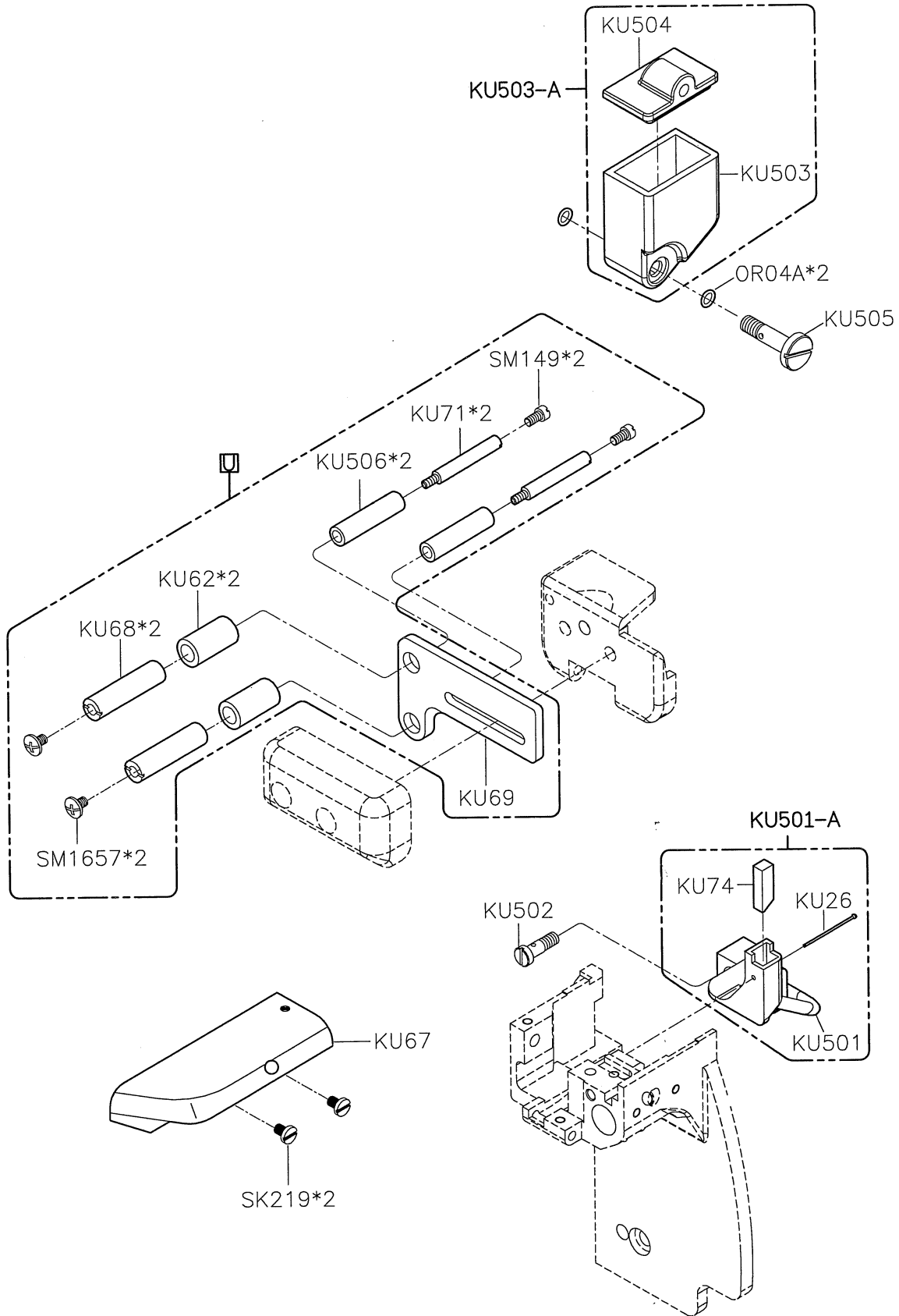
A

B

C

D

E



1

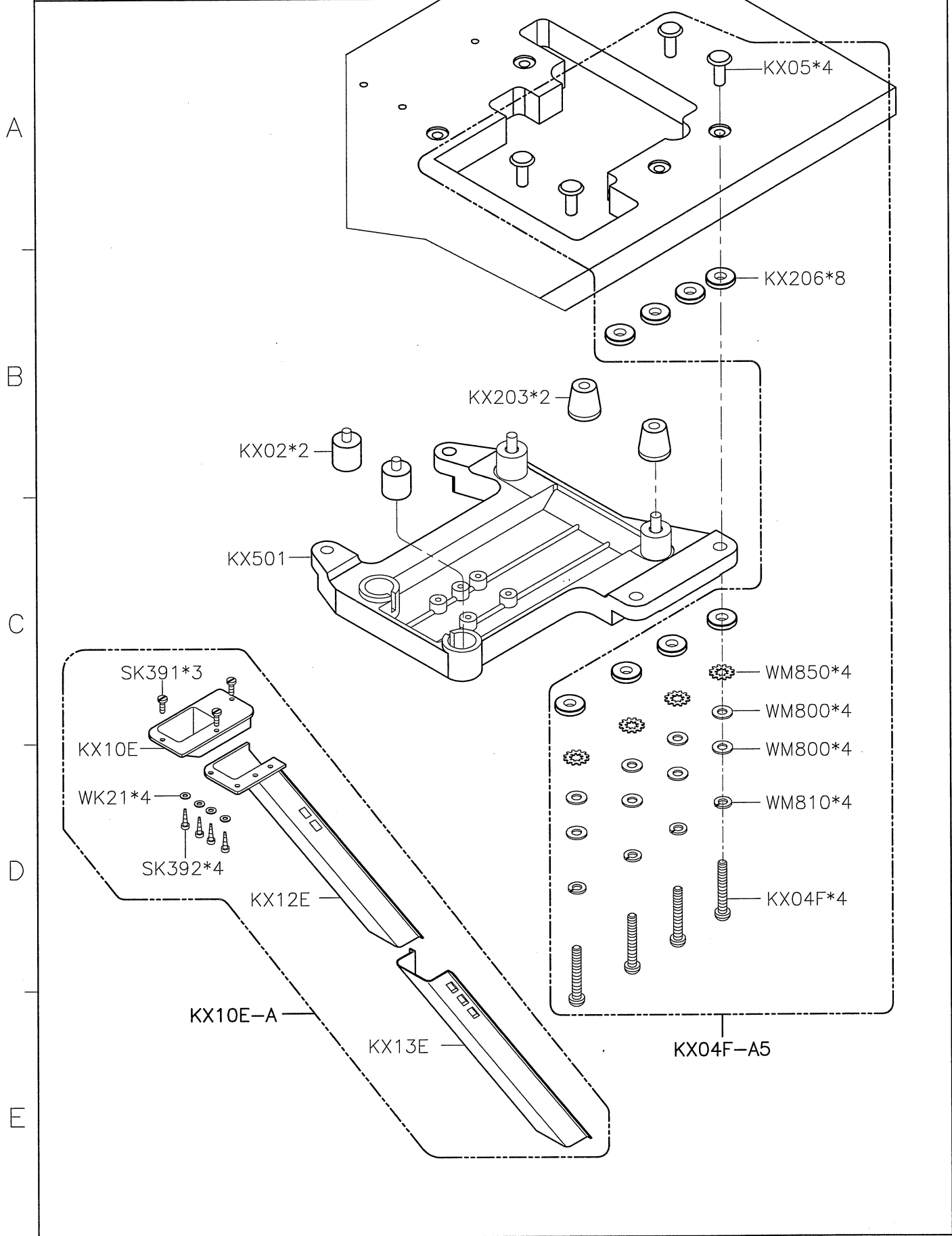
2

3

4

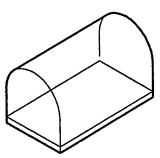



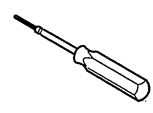
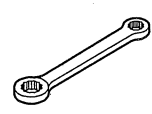
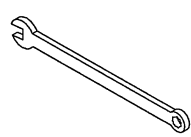
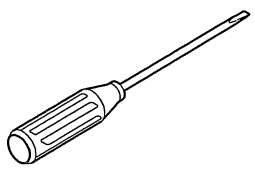


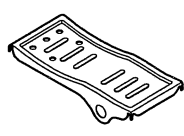
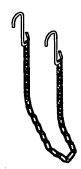
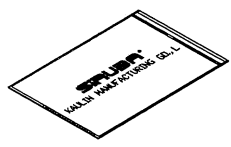
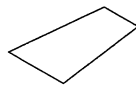
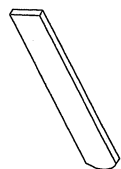

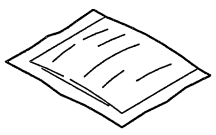

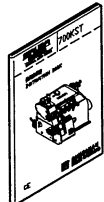


5

| | | | | |
|-----------------------------|--------|-------------|-------------------|------------|
| SIRUBA PARTS LIST | Series | Parts Group | Subclass / Remark | Page |
| | 700KST | KX | | 1/1 |
| | | | | Date |
| | | | | 2014/03/05 |



1 2 3 4 5

| SIRUBA PARTS LIST | Series | Parts Group | Subclass / Remark | Page |
|----------------------|--------|-------------|-------------------|------------|
| | 700KST | KY | | 1/1 |
| | | | | Date |
| | | | | 2013/10/09 |

| | | | | | |
|---|---|---|---|---|--|
| A | KY01-1 防塵罩  | KY02F-A 油罐  | KY03 油壺  | KY04 漏斗  | KY14 內六角螺絲起子  |
| | KY23-A | | | | |
| B | KY23 內六角板手  | KY09 開口板手  | LY33 一字起子  | KY18 鑷子  | SK216 螺絲  |
| | KY20D-A 腳踏板  | KY21-A/MY21-A 鉤子 / 鍊條  | KY201 工具袋  | KY30 針板紙  | KR55 下刀片  |
| C | | | | | |
| | KT14-A 濾油器  | KZ03 乾燥劑  | 針*5 車針  | KZ508 使用說明書  | LY35 一字起子  |
| D | | | | | |
| | KY05-A 油壺  | | | | |
| E | | | | | |
| | | | | | |

| SIRUBA PARTS LIST | Series | Parts Group | Subclass / Remark | Page |
|----------------------|--------|-------------|-------------------|------------|
| | 700KST | KZ | | 1/1 |
| | | | | Date |
| | | | | 2013/10/09 |

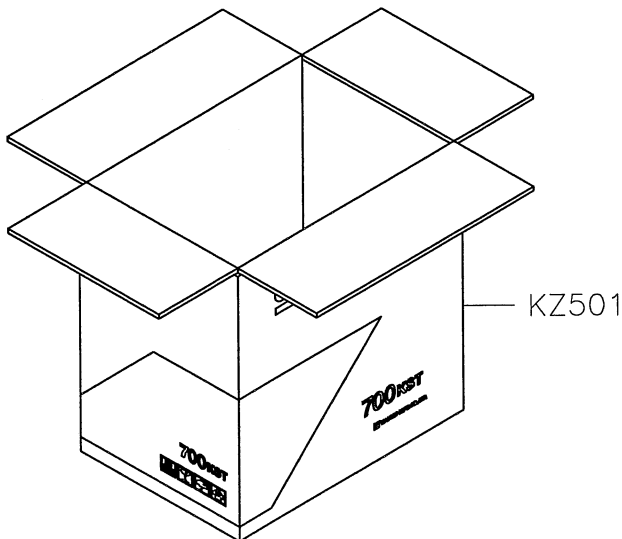
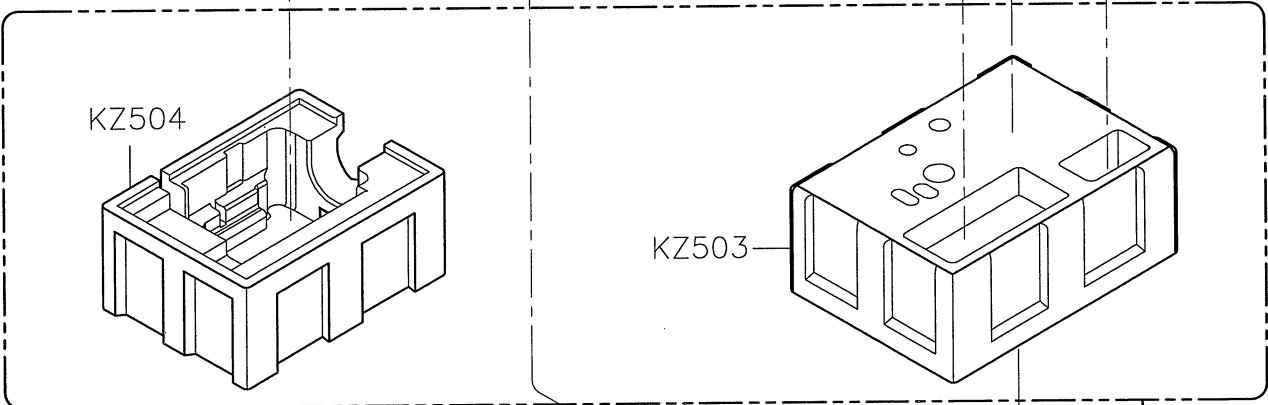
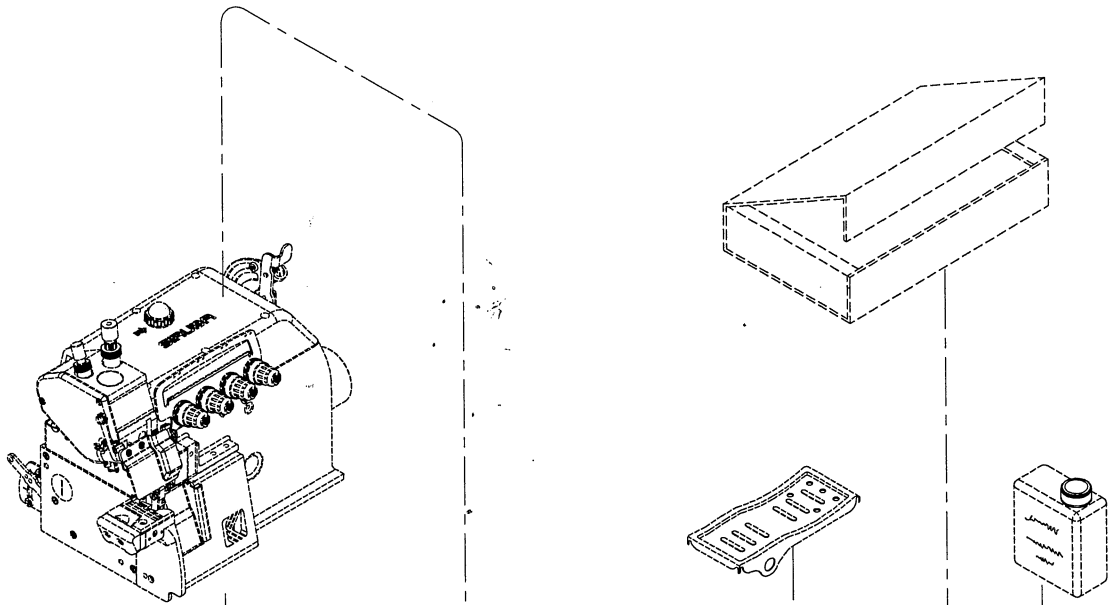
A

B

C

D

E



1

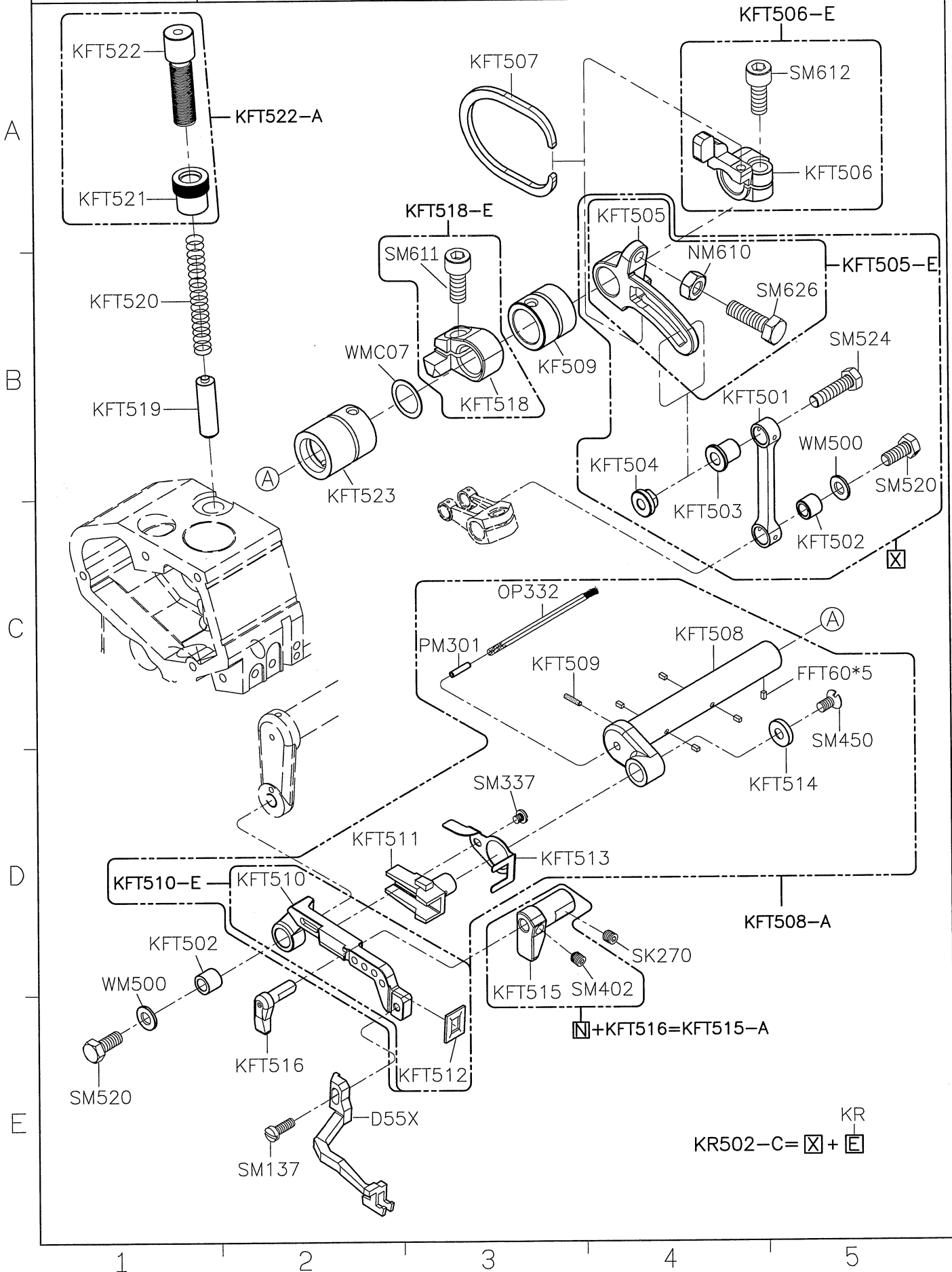
2

3

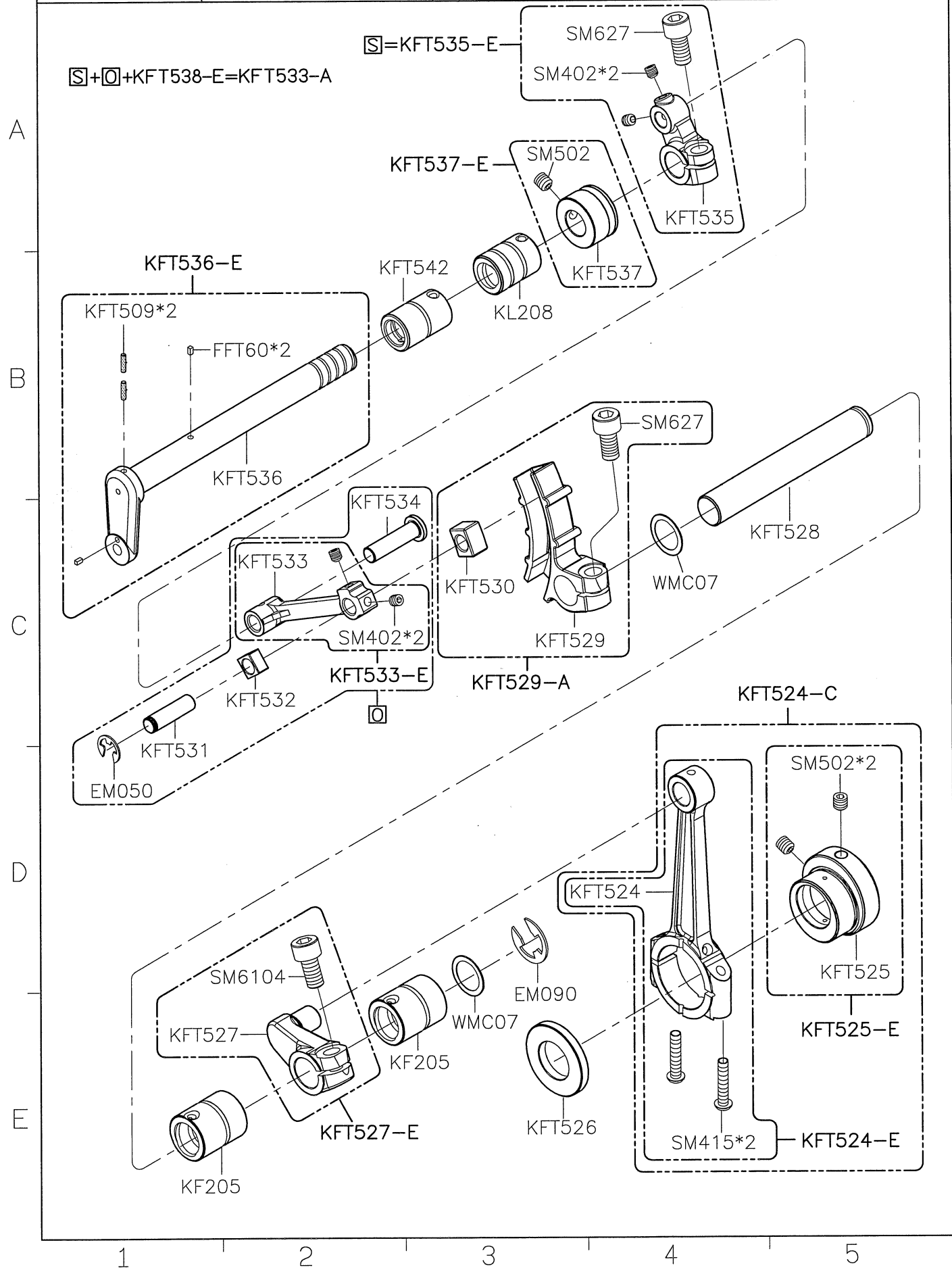
4

5

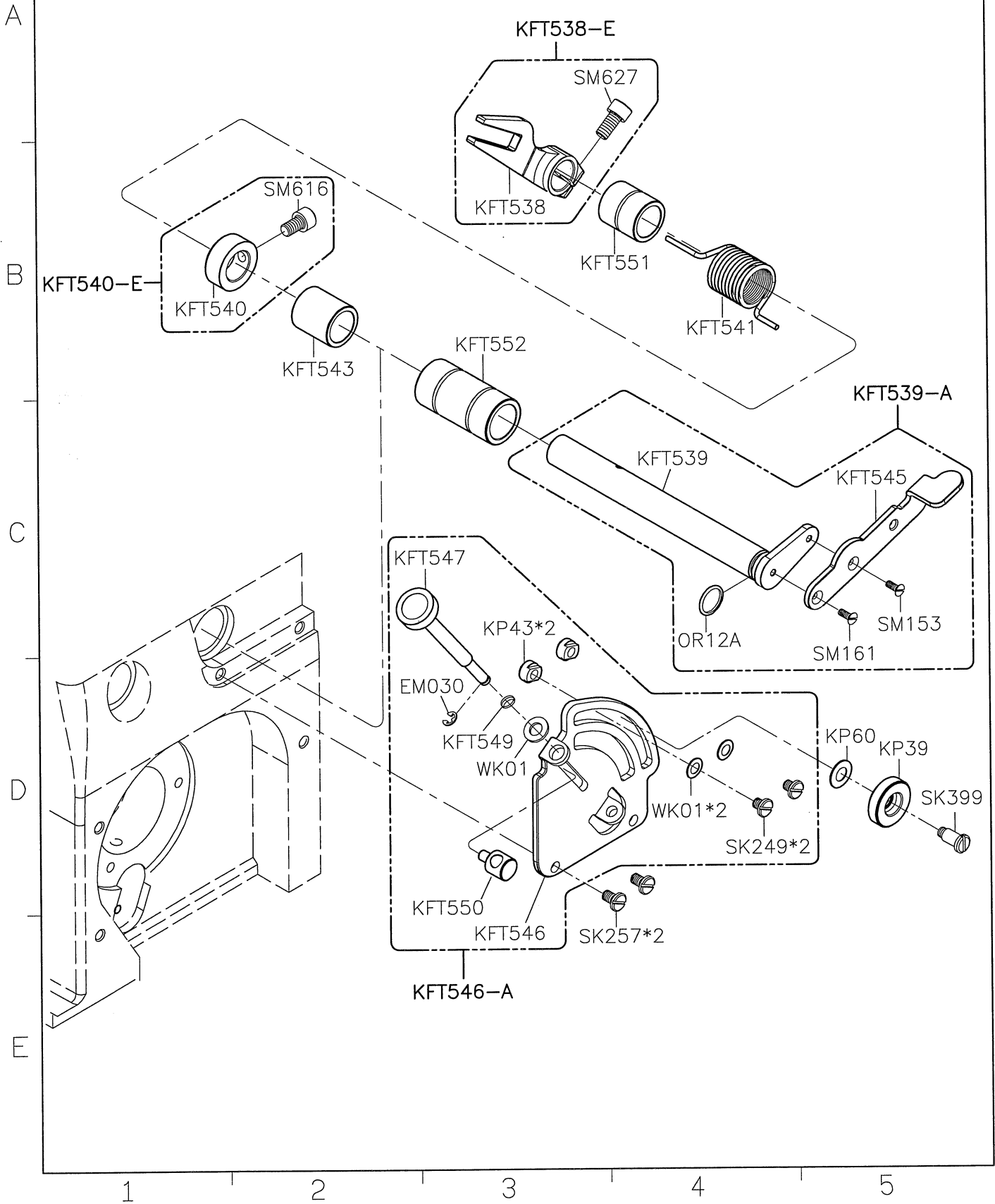
| SIRUBA PARTS LIST | Series | Parts Group | Subclass / Remark | Page |
|----------------------|--------|-------------|-------------------|--------------------|
| | 700KST | FT | | 1/4 |
| | | | | Date 2014/07/29 |



| SIRUBA PARTS LIST | Series | Parts Group | Subclass / Remark | Page |
|----------------------|--------|-------------|-------------------|------------|
| | 700KST | FT | | 2/4 |
| | | | | Date |
| | | | | 2014/10/22 |



| SIRUBA PARTS LIST | Series | Parts Group | Subclass / Remark | Page |
|----------------------|--------|-------------|-------------------|------------|
| | 700KST | FT | | 3/4 |
| | | | | Date |
| | | | | 2014/11/05 |



| SIRUBA PARTS LIST | Series | Parts Group | Subclass / Remark | Page |
|----------------------|--------|-------------|-------------------|------------|
| | 700KST | FT | | 4/4 |
| | | | | Date |
| | | | | 2014/05/30 |

