

# SIRUBA

零件圖

PARTS LIST

DL7200D-NM1/NH1



<b>SIRUBA</b> PARTS LIST	Series	Parts Group	Subclass Remark	Page
	DL7200D-NM1	01		1 / 1
				Date
				2023/02/03

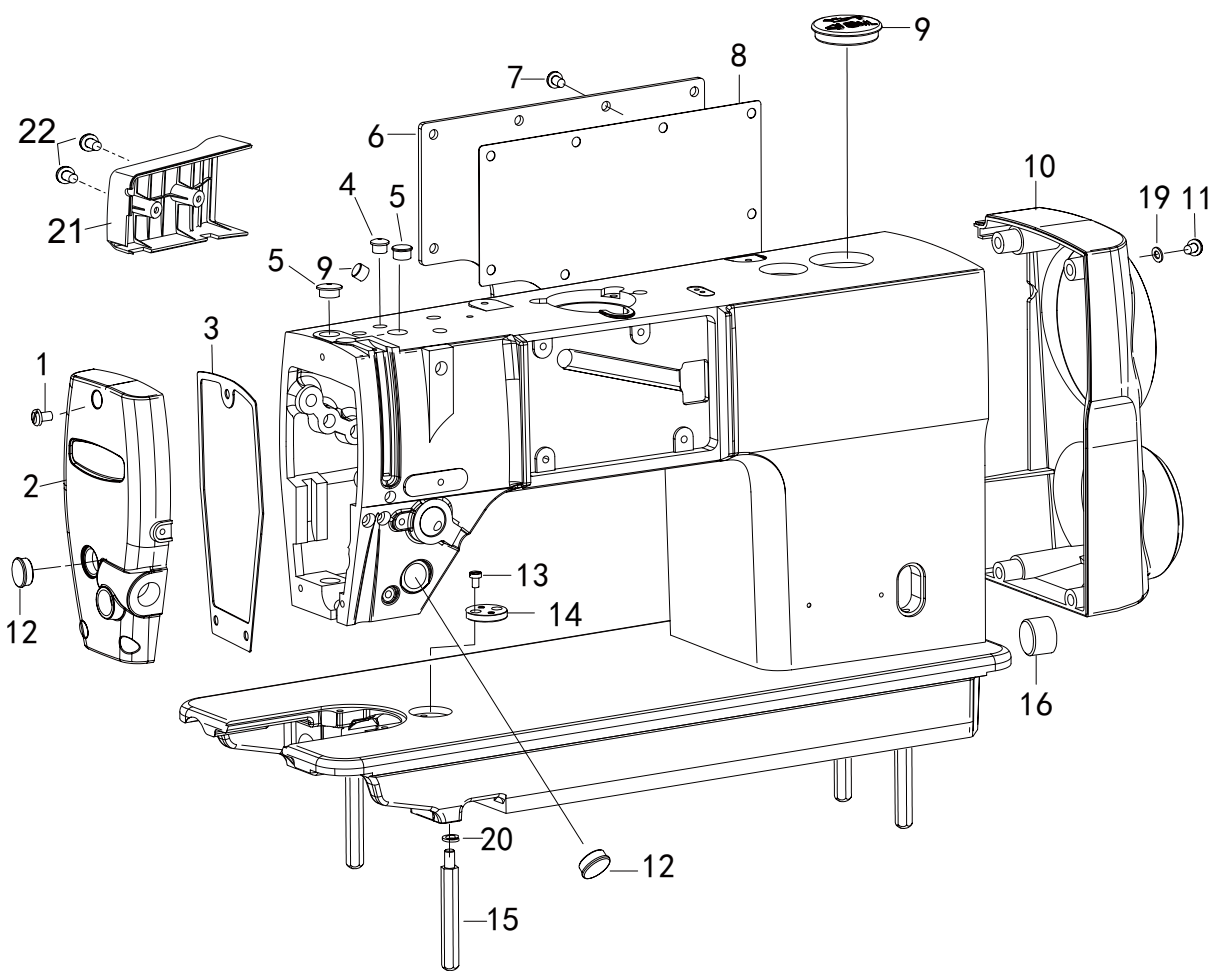
A

B

C

D

E



<b>SIRUBA</b> SEQUENCE LIST	Series	Parts Group	Subclass Remark	Page
	DL7200D-NM1	01		1 / 1
				Date
				2023/02/03

序號	物料號	數量	物料名稱	Decription
1	062711212	3	螺釘 SM4.76×32-12	SCREW PAN SM4.76×32-12
2	288ZS01002	1	面板	FACE PLATE
3	288ZS01003	1	面板墊	GASKET
4	115010801	2	橡皮塞 8.5	RUBBER 8.5
5	101011001	3	橡皮塞 12.5	RUBBER 12.5
6	288C01006	1	后窗板	SIDE PLATE
7	S094762809	9	螺釘 SM4.76-28×9	SCREW SM4.76-28×9
8	288C01007	1	后窗板襯墊	GASKET
9	168010901	1	橡皮塞 37.8	RUBBER 37.8
10	288C01010W	1	電機罩殼(白色長款)	MOTOR COVER
11	018502536	4	螺釘 M5×25	SCREW PAN M5×25
12	115010701	3	橡皮塞 15.5	RUBBER 15.5
13	101013201	2	螺釘 SM4.37-40x5.5	SCREW PAN SM4.37-40x5.5
14	101012601	1	卷邊器座	EDGE WINDING DEVICE
15	168011701	4	底板支柱	BED SCREW STUD
16	101011401	1	橡皮塞 21	RUBBER 21
17	168012001	1	頂蓋	UPPER COVER
18	168012501	5	螺釘 M3×8	SCREW PAN M3×8
19	025050132	4	平墊圈5	FLAT WASHER 5
20	028060246	4	彈簧墊圈T6	SPRING WASHER T6
21	288ZS01021	1	電線罩殼	LINE BOX
22	S094762806	1	螺釘SM4.76x28-6	SCREW

A

B

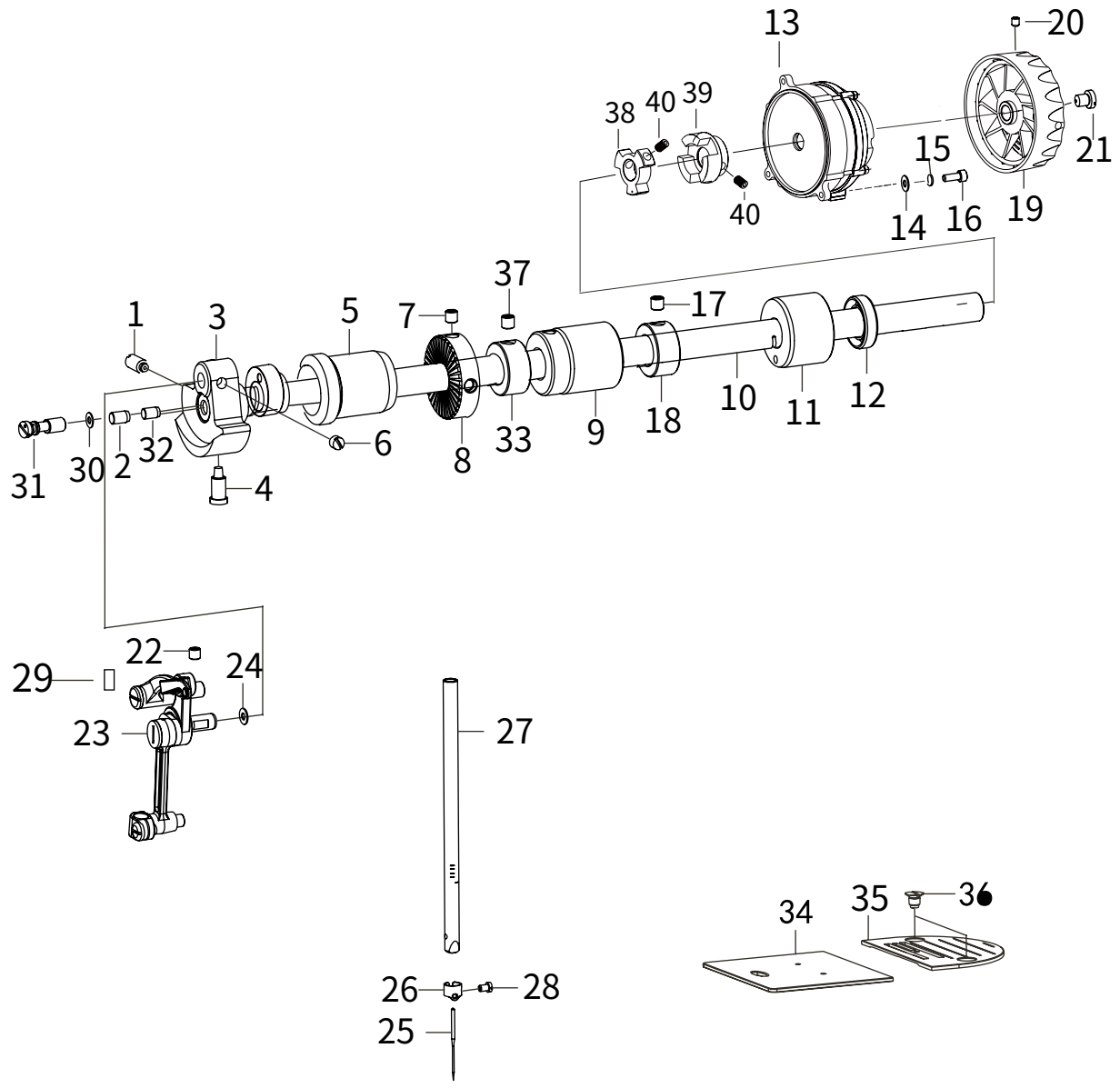
C

D

E

<b>SIRUBA</b> PARTS LIST	Series	Parts Group	Subclass Remark	Page
	<b>DL7200D-NM1</b>	<b>02</b>		1 / 1
				Date
				2023/02/03

A  
B  
C  
D  
E



1 2 3 4 5

<b>SIRUBA</b> SEQUENCE LIST	Series	Parts Group	Subclass Remark	Page
	DL7200D-NM1	02		1 / 1
				Date
				2023/02/03

序號	物料號	數量	物料名稱	Deacription
1	101031601	1	螺釘 SM7.14	SCREW PAN SM7.14
2	101034301	1	油量銷套	RUBBER CAP 6.8
3	125031501	1	針杆曲柄	COUNTER WEIGHT
4	101031801	1	螺釘 SM7.14	SCREW PAN SM7.14
5	168020501	1	上軸前軸套	MAIN SHAFT BUSHING FRONT
6	101031701	2	螺釘 SM6.35	SCREW SM6.35
7	014050832	2	螺釘 M5×8	SCREW PAN M5×8
8	101032101	1	繞線驅動輪	BOBBIN WINDER DRIVING WHEEL
9	168020901	1	上軸中軸套	BUSHING INTERMSDIATE
10	101033801	1	上軸	MAIN SHAFT
11	168021101	1	上軸后軸套	MAIN SHAFT BUSHING READ
12	115024001	1	油封	OIL SEAL
13	168021302	1	馬達組件	SERVO NOTOR ASSY
14	028050246	3	彈性墊圈	SPRING WASHER
15	025050132	3	墊圈 M5	WASHER M5
16	018501436	3	螺釘 M5×14	SCREW PAN M5×14
17	115024801	2	螺釘SM6.35-40x6	SCREW SM6.35-40X6
18	101032501	1	上軸擋圈	UPPER SHAFT RETAINING RING
19	280002022G	1	手輪(橙色,內孔	HANG WHEEL ASM
20	012501032	2	螺釘 M5×10	SCREW PAN M5×10
21	115025401	1	螺釘 SM8.73	SCREW PAN SM8.73
22	012061032	1	螺釘 M6×10	SCREW PAN M6×10
23	101031401	1	挑線杆組件 M	THREAD TAKE-UP LEVER ASM M
24	115201402	1	墊圈	WASHER
25	115024101	1	機針 DBx1 14	NEEDLE DB×1 #14
26	101041101	1	針杆過線環	NEEDLE BAR THREAD GUIDE
27	101040403	1	機針 DB×1 14	NEEDLE DB×1 #14
28	101041001	1	支針螺釘 SM3.18	SCREW PAN SM3.18
29	101030601	1	挑線杆防油套	THREAD TAKE-UP OIL SLEEVE
30	081004870	1	O型圈6.5x1.5	O-RING 6.5X1.5
31	101034201	1	油量偏心銷	OIL QUANTITY ECCENTRIC PIN
32	101034102	1	上軸油氈	UPPER SHAFT LINOLEUM
33	101032502	1	上軸擋圈	UPPER SHAFT RETAINING RING
34	101011801	1	推板組件	PUSH PLATE ASSEMBLY
35	179023401	1	針板	NEEDLE PLATE
36	115023501	2	螺釘SM4.37-40x6	SCREW SM4.37-40X6
37	014770632	2	螺釘SM6.35-40x6	SCREW SM6.35-40X6
38	991002028	1	聯軸器A	CONNECT BLOCK A
39	991002030	1	聯軸器B	CONNECT BLOCK B
40	M140601006	4	聯軸器螺釘	SCREW M6x6

A

B

C

D

E

**SIRUBA**

PARTS LIST

Series

**DL7200D-NM1**

Parts Group

**03**

Subclass Remark

Page

1 / 1

Date

2023/02/03

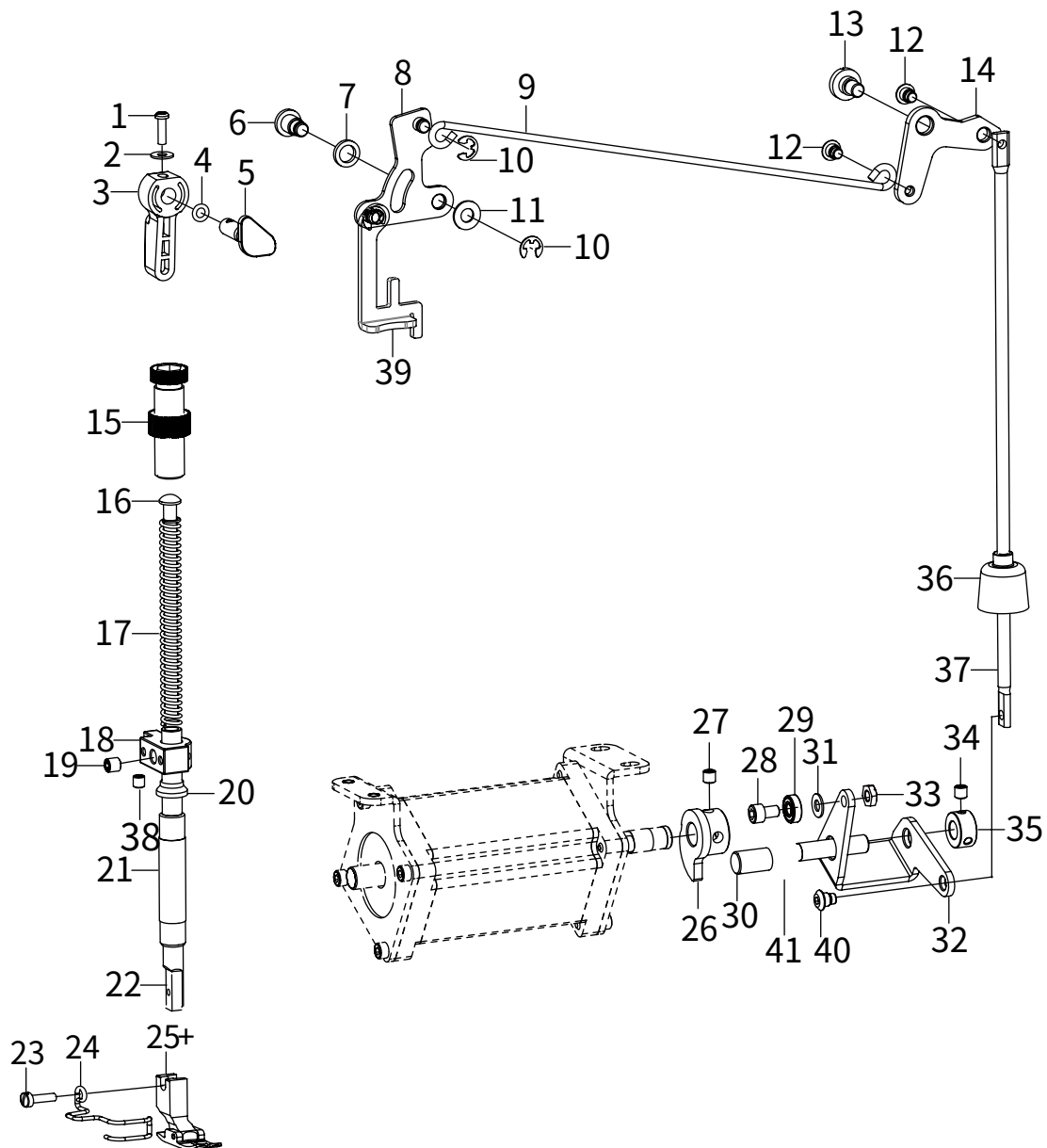
A

B

C

D

E



1

2

3

4

5

<b>SIRUBA</b> SEQUENCE LIST	Series	Parts Group	Subclass Remark	Page
	DL7200D-NM1	03		1 / 1
				Date
				2023/02/03

序號	物料號	數量	物料名稱	Decription
1	101054501	1	螺釘 SM3.57	SCREW SM3.57
2	101054601	1	墊圈3.7	WASHER 3.7
3	168030301	1	抬壓腳扳手	HAND LIFTER
4	081004070	1	O型圈 P4	RING P4
5	102050601	1	抬壓腳凸輪	PRESS FOOT LIFTER CAM ASM
6	101052001	2	前杠杆螺紋銷	LINK SHAFT
7	101052101	2	防油橡膠墊 (薄)	WASHER
8	168031001-1	1	抬壓腳前杠杆	HANK LIFTER LINK
9	167034401	1	抬壓腳拉杆	LIFTING LEVER LINK
10	048050342	3	卡簧 E5	SNAP RING E5
11	101056301	1	墊圈 6.35	WASHER 6.35
12	115034301	2	軸位螺釘 SM4.76	SCREW SM4.76
13	115034501	1	軸位螺釘 SM6.35	SCREW SM6.35
14	167052401	1	抬壓腳后杠杆	LEVER AFTER LIFTING THE PRESSER FOOT
15	168031501	1	調壓螺釘組件	PRESSURE REGULATING BOL
16	101050301	1	調壓導杆	PRESSER GUIDE BAR
17	125050401	1	調壓簧	PRESSER SPRING
18	152305401	1	壓杆導架	NEEDLE BAR GUIDE BAACKET
19	014770632	1	螺釘 SM6.35	SCREW SM6.35
20	101050901	1	壓杆套防油圈	SHOCK PAD
21	152305501	1	壓杆襯套	PRESSER BAR BUSHING LOWER
22	152205501	1	壓杆	PRESSER BAR
23	115031001	1	螺釘 SM3.57	SCREW SM3.57
24	101051301	1	護指器	FINGER GUARD
25	179030701	1	壓腳	MPRESSER FOOT
26	168032701	1	抬壓腳凸輪	HAND LIFTER CAM
27	014600832	2	螺釘 M6×8	SCREW PAN M6×8
28	018601232	1	螺釘 M6×12	SCREW PAN M6×12
29	169034001	1	軸承	BEARING
30	168033101	1	抬壓腳曲柄軸	PRESSER FOOT CRANK SHAFT
31	025060236	1	平墊圈6	FLAT WASHER 6
32	168033201	1	抬壓腳驅動曲柄	OT DRIVING CRANK
33	021600306	1	螺母 M6×0.75	NUT M6×0.75
34	012500632	2	螺釘 M5×6	SCREW PAN M5×6
35	168033501	1	曲柄軸擋圈	SET SCREW COLLAR
36	168033601	1	膝控提升杆橡皮塞	RUBBER CAP
37	168033701	1	抬壓腳頂杆	CONNECTING ROD VERTICAL
38	115034201	1	抬壓腳減震墊	CUSHION
39	152304201	1	壓腳升降板	PRESSER FOOT LIFTING PLATE
40	168031301	1	軸位螺釘SM4.76x32	AXIS SCREW SM4.76X32
41	168033801-1	1	壓腳复位簧	PRESSER FOOT RESET SPRING

A

B

C

D

E

<b>SIRUBA</b> PARTS LIST	Series	Parts Group	Subclass Remark	Page
	<b>DL7200D-NM1</b>	<b>04</b>		1 / 1
				Date
				2023/02/03

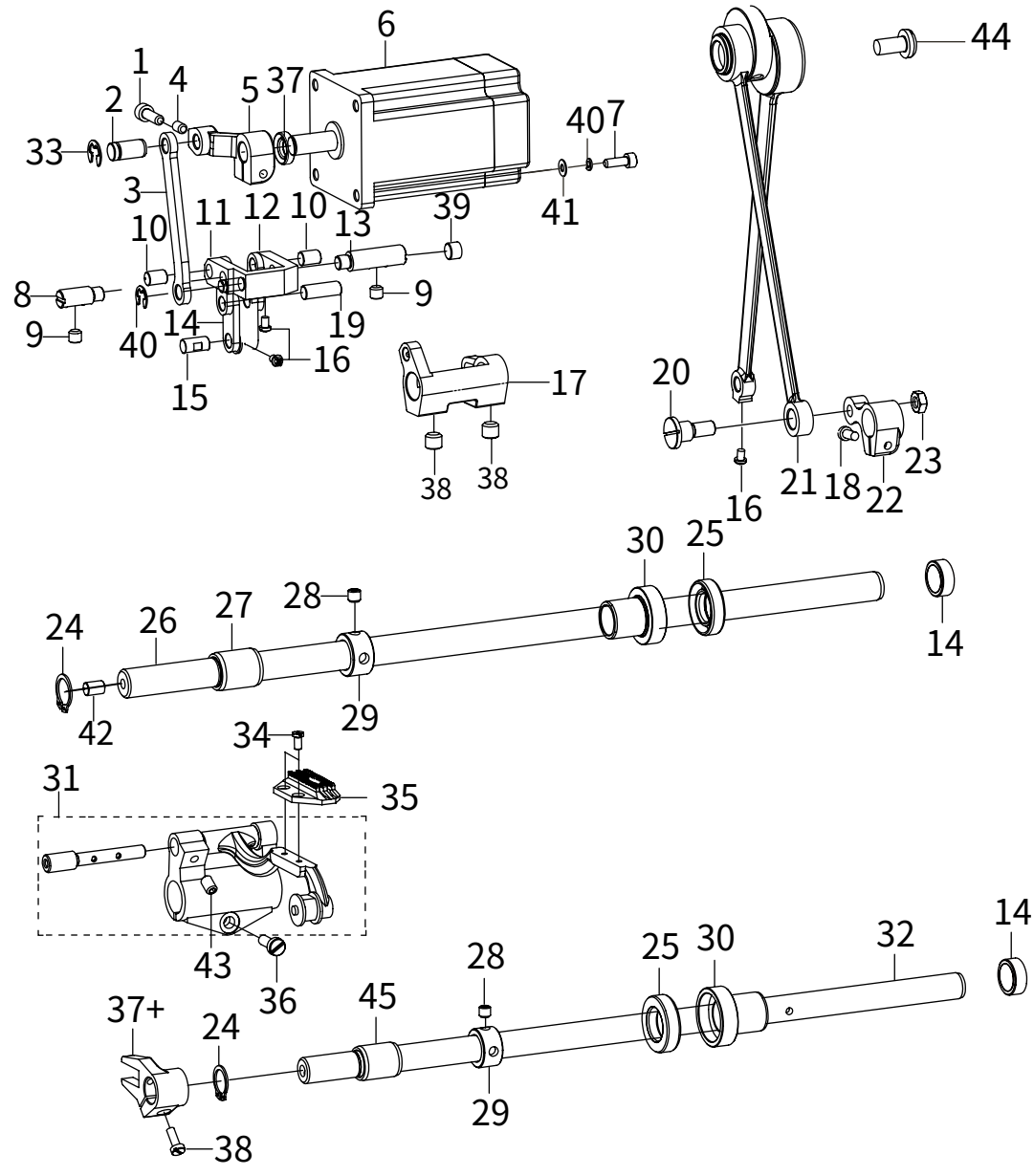
A

B

C

D

E





<b>SIRUBA</b> SEQUENCE LIST	Series	Parts Group	Subclass Remark	Page
	DL7200D-NM1	04		1 / 1
				Date
				2023/02/03

序號	物料號	數量	物料名稱	Decription
1	018501636	1	螺釘 M5×16	SCREW PAN M5×16
2	168040201	1	連杆銷	STUD
3	168040301	1	倒縫連杆	F-REGULATOR CONNECTROD
4	014680632	1	螺釘 SM4.37-40x6	SCREW PANS M4.37- 40x6
5	168040501	1	倒縫曲柄	INVERTED CAANK
6	168040602	1	倒縫步進電機	BACKSEWING STEPPING MOTOR
7	018401436	4	螺釘 M4×14	SCREW PAN M4×14
8	101061501	1	擺動板座右銷	ADJUSTING LINK FULCRUMS HAFT
9	014760832	2	螺釘 SM5.95	SCREW PANS M5.95
10	101061801	2	擺動板連接銷	SWING PLATE CONNECTING PIN
11	168041101	1	切換器	LEVEL FEED REGULATOR
12	101064102	1	擺動板套件	SWING PLATE KIT
13	168041301	1	切換器右銷	ADJUSTING LINK FULCRUM SHAFT
14	125013001	2	孔塞15.2	HOLE PLUG 15. 2
15	101060901	1	送料連杆銷	WSLKing FOOT PIN
16	101022801	5	螺釘 SM3.57	SCREW PANS M3.57
17	152303101	1	針送布下曲柄	Needle feeding lower crank
18	101063501	2	螺釘 SM4.76x28	SCREW PAN SM4.76x28
19	101063401	1	送料曲柄銷	WALKING FOOT PIN
20	101061101	1	軸位螺釘SM7.14x28	AXIS SCREW SM7.14X28
21	101060102	1	連杆組件 H	CONNECTING ROD ASM
22	101063601	1	抬牙后曲柄	READ CRANK ASM
23	101063701	1	螺母 SM5.95	NUTS M5.95
24	048140142	2	擋圈 C14	RING C14
25	125064301	2	油封	OIL SEAL
26	168042601	1	送布軸	FEED ROCKER SHAFT
27	101063101	1	送布軸前軸套	FEED ROCKER SHAFT METAL
28	101063001	4	螺釘 SM6.35	SCREW PANS M6.35
29	101062901	2	送布軸擋圈	THRUST COLLAR
30	168043001	2	送布軸中套	FEED ROCKER SHAFT METAL
31	101062101	1	牙架組件	TOOTH FRAME COMPONENTS
32	168043901	1	抬牙軸	LIFT THE TOOTHs HAFT
33	048050342	2	卡簧 E5	CIRCLIP E 5
34	115047001	2	螺釘 SM3.18	SCREW PANS M3.18
35	179060101	1	送料牙	FEED DOG
36	101062701	1	螺釘 SM5.95	SCREW PANS M5.95
37	169041101	1	油封	OIL SEAL
38	152303201	2	驅動下曲柄螺釘	Screw SM7.14
39	115011001	1	孔塞10.5	HOLE PLUG 10.5
40	028040246	4	彈簧墊圈T4	SPRING WASHER T4
41	025040132	4	平墊圈4	FLAT WASHER 4
42	115082801	4	油氈	LINOLEUM
43	101062601	1	螺釘SM4.37-40x7	SCREW SM4.37-40X7
44	101060601	2	螺釘SM6.35-40x11	SCREW SM6.35-40X11
45	101063102	1	抬牙軸前軸套	FRONT BUSHING OF LIFTING SHAFT

1

2

3

4

5

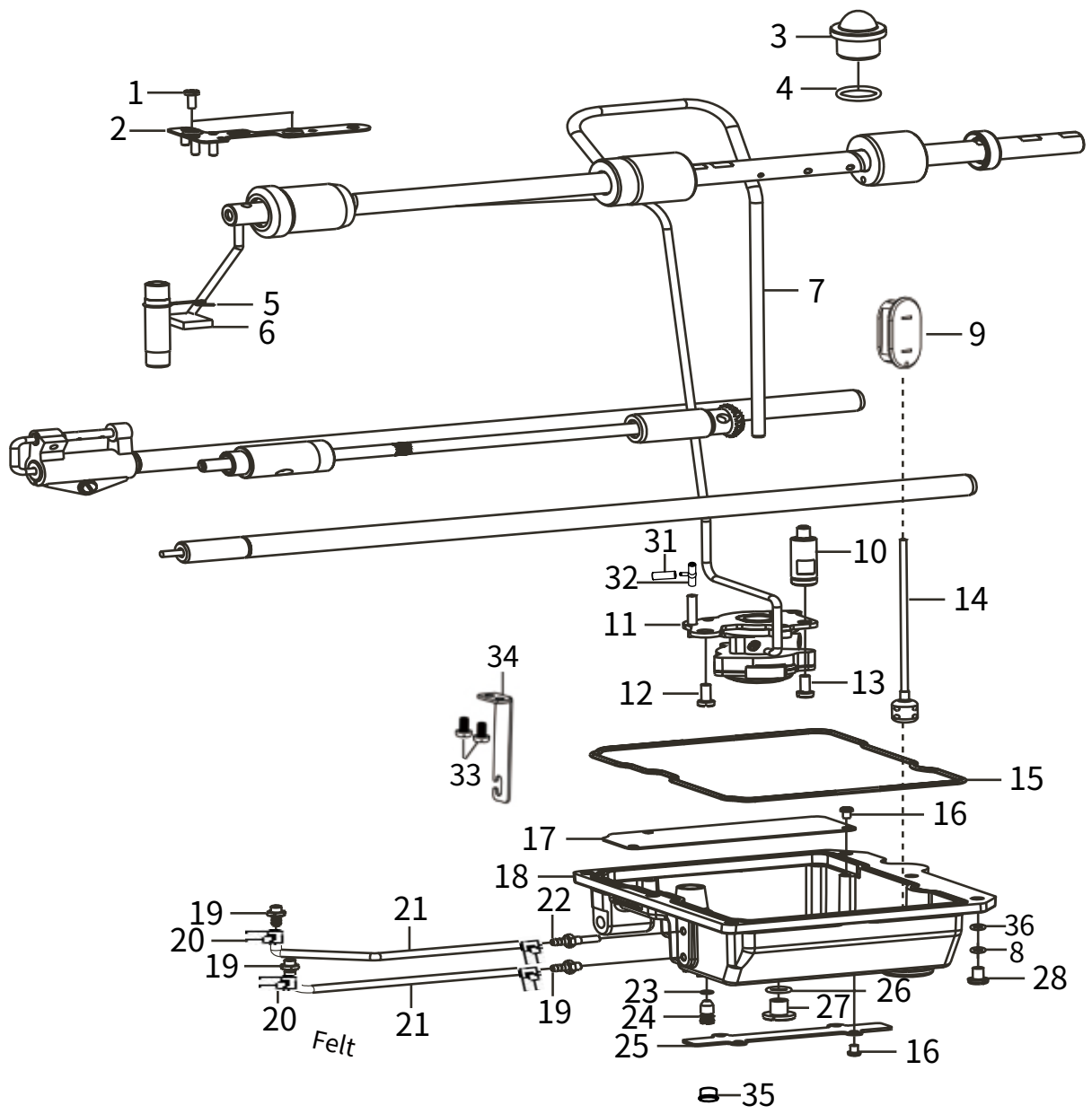


<b>SIRUBA</b> SEQUENCE LIST	Series	Parts Group	Subclass Remark	Page
	DL7200D-NM1	05		1 / 1
				Date
				2023/02/03

	物料號	數量	物料名稱	Deacription
A	1	1	傘齒輪組件	BEVEL GEAR ASSY
	2	3	螺釘 SM5.95	SCREW SM5.95
	3	1	豎軸上軸套	VERTICAL SHAFT BUSH U
	4	1	豎軸	VERTICAL SHAFT
	5	1	豎軸下軸套	VERTICAL SHAFT BUSH D
	6	1	鍍梭定位勾	HOOK STOPPER
	7	1	螺釘 SM4.37	SCREW PAN SM4.37
	8	1	梭芯套組件	BOBBIN GASE ASSY
	9	1	梭芯	BOBBIN
	10	1	鍍梭組件	ROTARY HOOK ASSY
B	11	1	油蓋螺釘	OIL COVER SCREW
	12	1	油芯	OIL CORE
	13	2	油封	OIL SEAL
	14	1	下軸前套	PUMP BUSH
	15	1	油封	OIL SEAL
	16	1	下軸	ROTARY HOOK SHAFT
	17	2	螺釘 SM6.35	SCREW PAN SM6.35
	18	1	緊圈	SET SCREW COLLAR
	19	1	下軸后軸套	BUSHING THREAD FINGER
	20	1	分線器	SPLITTER
C	21	1	螺釘 SM3.57	SCREW PAN SM3.57
	22	1	小油氈	SMALL LINOLEUM
	23	2	O型圈	O-RING

SIRUBA PARTS LIST	Series	Parts Group	Subclass Remark	Page
	DL7200D-NM1	06		1 / 1
				Date
				2023/02/03

A  
B  
C  
D  
E



<b>SIRUBA</b> SEQUENCE LIST	Series	Parts Group	Subclass Remark	Page
	DL7200D-NM1	06		1 / 1
				Date
				2023/02/03

序號	物料號	數量	物料名稱	Deacription
1	115031001	2	螺釘 SM3.57	SCREW PAN SM3.57
2	101090701	1	油線固定板	OIL THREAD BORAD ASM
3	101090901	1	油窗	OIL GAUGE WINDOW
4	101091001	1	油窗墊片	OIL WINDOW GASKET
5	167305801	1	回油管夾	OIL RETURN PIPE CLAMP
6	167305902	1	回油氈	BACK TO LINOLEUM
7	152308601	1	上軸供油管	MAIN SHAFT OIL TUBE
8	028050246	6	彈簧墊圈T5	SPRING WASHER T5
9	288C06011	1	油量視窗	OIL GAGE WINDOW
10	101091601	1	油泵連接螺釘	OIL PUMP SUPPORT
11	168061401	1	油泵組件	PUMP UNIT
12	101074701	1	螺釘 SM5.95	SCREW PAN SM5.95
13	115072601	1	螺釘 SM4.37	SCREW PAN SM4.37
14	288006017	1	浮球組件	FLOAT ASSY
15	168061802	1	油盒密封圈	OIL BOX SEALING RING
16	062350616	7	螺釘 M3.5×6	SCREW PAN M3.5×6
17	168062002	1	油盒蓋	THE OIL BOX COVER
18	288006021	1	油盒	OIL BOX
19	115080401	3	供油口	OIL FEEDING PIPE
20	115085501	3	油管夾	OIL PIPE CLAMP
21	168062401	2	油管 L	VINYL TUBE L
22	168062601	1	供油嘴	FUEL SUPPLY NOZZLE
23	081004870	1	O 型圈 P4	O RING P4
24	115081501	1	調節螺釘	ADJUSTING SCREW
25	124123201	1	電線壓板	WIRE PLATE
26	168063001	1	O 型圈	O RING
27	115080901	1	放油螺釘 M8	SCREW PAN M8
28	018502032	8	螺釘 M5×20	SCREW PAN M5×20
31	125092201	1	鋁管接頭	ALUMINUM PIPE JOINT
32	101091701	1	供油管接頭	OIL SUPPLY PIPE JOINT
33	062500816	2	螺釘 M5x8	SCREW M5X8
34	169080101	1	油管支架	TUBING BRACKET
35	115011001	1	孔塞10.5	HOLE PLUG 10.5
36	025050132	6	平墊圈5	FLAT WASHER 5

A

B

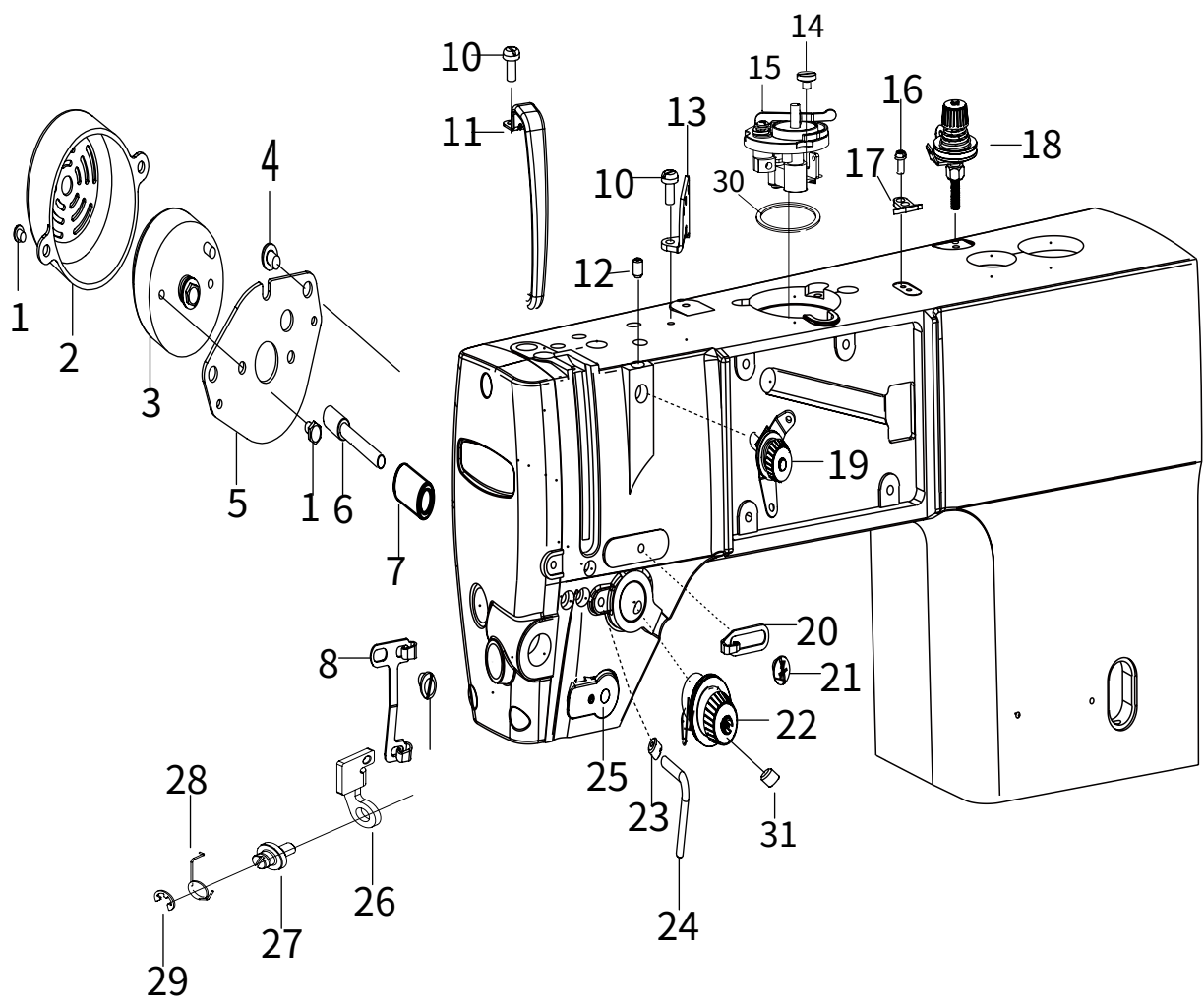
C

D

E

<b>SIRUBA</b> PARTS LIST	Series	Parts Group	Subclass Remark	Page
	DL7200D-NM1	07		1 / 1
				Date
				2023/02/03

A  
B  
C  
D  
E



1 2 3 4 5

<b>SIRUBA</b> SEQUENCE LIST	Series	Parts Group	Subclass Remark	Page
	DL7200D-NM1	07		1 / 1
				Date
				2023/02/03

序號	物料號	數量	物料名稱	Description
1	062400616	4	螺釘 M4×6	NEEDLE CLAMP SCREW PAN M4×6
2	168070201	1	電磁鐵罩	SOLENOID COVER
3	166070301	1	松線電磁鐵組件	ELEC TENSION RELEASE ASSY
4	062500816	2	螺釘 M5×8	SCREW PAN M5×8
5	168070802	1	電磁鐵安裝板	SOLENOID SETTING PLATE
6	152360601	1	松線銷	LOOSE PIN
7	167123101	1	松線杆襯套	LOOSE ROD BUSHING
8	115091201	1	面板線勾	PANEL HOOK
9	125022201	1	螺釘 M4×6	SCREW PAN M4×6
10	101010901	2	螺釘 SM4.76	SCREW PAN SM4.76
11	101010801	1	挑線杆防護罩	THREAD TAKE-UP LEVER COVER
12	101022201	1	螺釘 SM4.76	SCREW PAN SM4.76
13	115090301	1	穿線板	SPOOL PLATE
14	101022601	3	螺釘 M5×10	SCREW PAN M5×10
15	101022501	1	繞線器組件	BOBBIN WINDER ASM
16	101022801	2	螺釘 SM3.57	SCREW PAN SM3.57
17	101022701	1	割線刀	KNIFE
18	168072301	1	繞線器夾線組件	BOBBIN THREAD TENSION ASM
19	168072201	1	調線夾線器組件	THREAD TENSION ASM
20	101020701	1	右線勾	RIGHT LINE HOOK
21	101020201	1	螺釘 M5×6	SCREW PAN M5×6
22	168072501	1	夾線器組件 M	THREAD TENSION ASSY M
23	115111601	2	螺母SM4.37	NUT SM4.37
24	101020502	1	大線勾	BIG HOOK
25	152307601	1	電子夾線器	THREAD TAKE-UP
26	167035101	1	松線傳動杠杆	LOOSE WIRE TRANSMISSION LEVER
27	167305201	1	軸位螺釘SM4.76	AXIS SCREW SM4.76
28	167031701	1	彈簧	SPRING
29	048040342	1	卡簧E4	CLAMP SPRING E4
30	168072901	1	繞線器密封墊	WINDER GASKET
31	101020401	1	螺釘SM5.95-28x7	SCREW SM5.95-28X7

A

B

C

D

E

<b>SIRUBA</b> PARTS LIST	Series	Parts Group	Subclass Remark	Page
	DL7200D-NM1	08		1 / 1
				Date
				2023/02/03

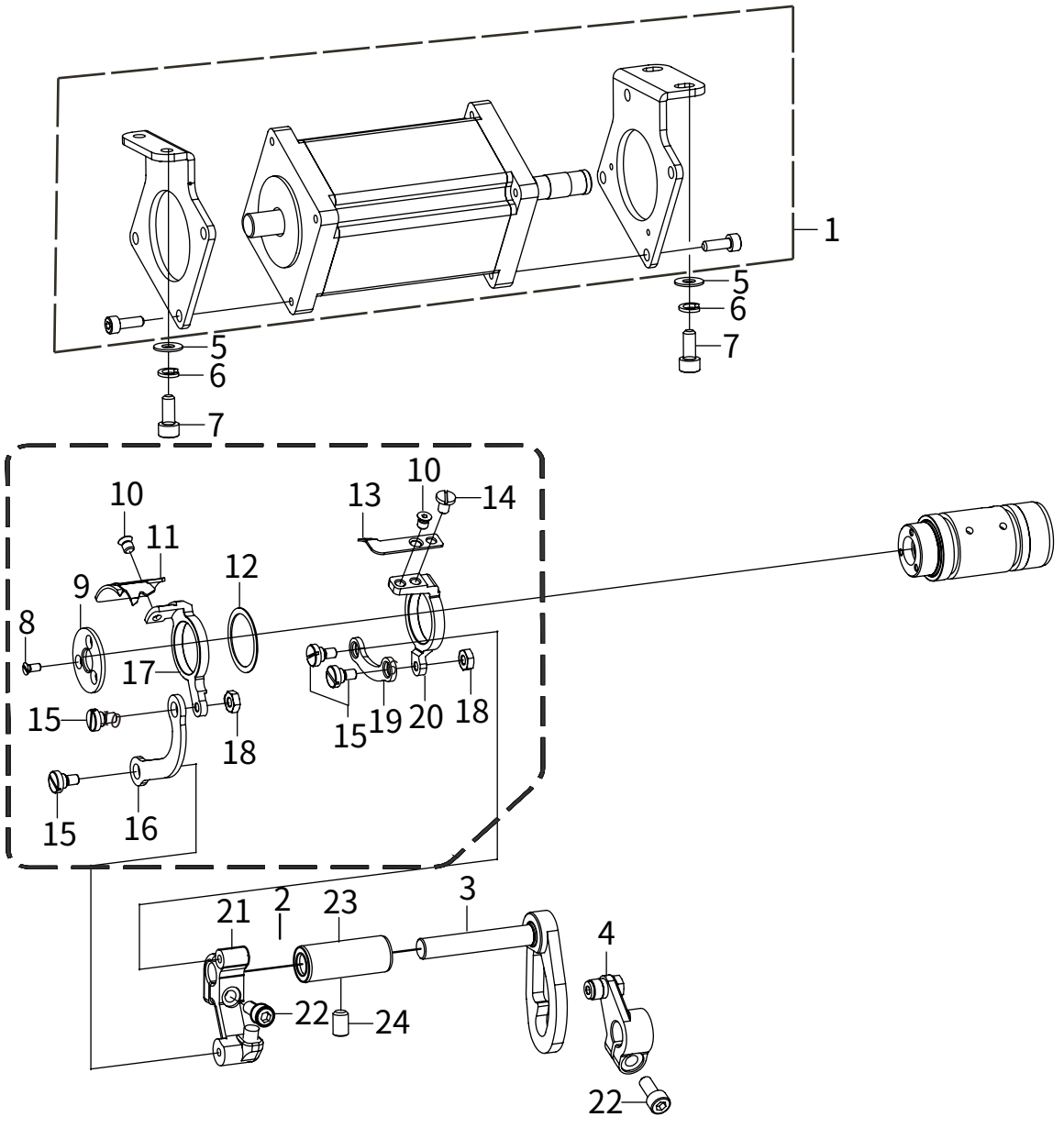
A

B

C

D

E





<b>SIRUBA</b> SEQUENCE LIST	Series	Parts Group	Subclass Remark	Page
	DL7200D-NM1	08		1 / 1
				Date
				2023/02/03

序號	物料號	數量	物料名稱	Deacription
1	168080202	1	剪線電機	MOTOR
2	125082301	1	動刀复位簧	MOVBLE KINFE RESET SPRING
3	168082001	1	切線曲柄	THREAD TRIMMER LEVER
4	169110102	1	切線驅動曲柄	THREAD TRIMMER CAM LEVER SHAFT
5	025050132	4	墊圈 M5	WASHER M5
6	028050246	4	彈簧墊圈	SPRING WASHER
7	018501432	4	螺釘 M5×14	SCREW PAN8M5×14
8	125080401	3	螺釘 M3×5	SCREW PAN M3×5
9	125082501	1	動刀壓板	KNIFE HOLLDER PRESSER PLATE
10	115111301	3	螺釘 SM4.37	SCREW PAN SM4.37
11	167081501	1	下動刀	MOVABLE KNIFEL D
12	125081801	1	墊圈	WASHER
13	125081401	1	上動刀	MOVABLE KNIFEL U
14	125080501	1	螺釘 SM4.37	SCREW PAN SM4.37
15	125080601	4	螺釘 M4	SCREW PAN M4
16	125082001	1	刀架長連杆	KNIFE HOLLDER CONNECTING ROD L
17	125081701	1	下刀架	HOLER M-KNIFE D
18	021400306	2	螺母 M4	NUT M4
19	125081901	1	刀架短連杆	KNIFE HOLLDER CONNECTING ROD S
20	125081601	1	上刀架	HOLER M-KNIFE U
21	125082101	1	切線曲柄	THREAD TRIMMER LEVER
22	018501432	2	螺釘 M5×14	SCREW M5×14
23	125082401	1	切刀軸套	FORKED SHAFT BUSH
24	014760832	1	螺釘 SM5.95	SCREW PAN SM5.95

A

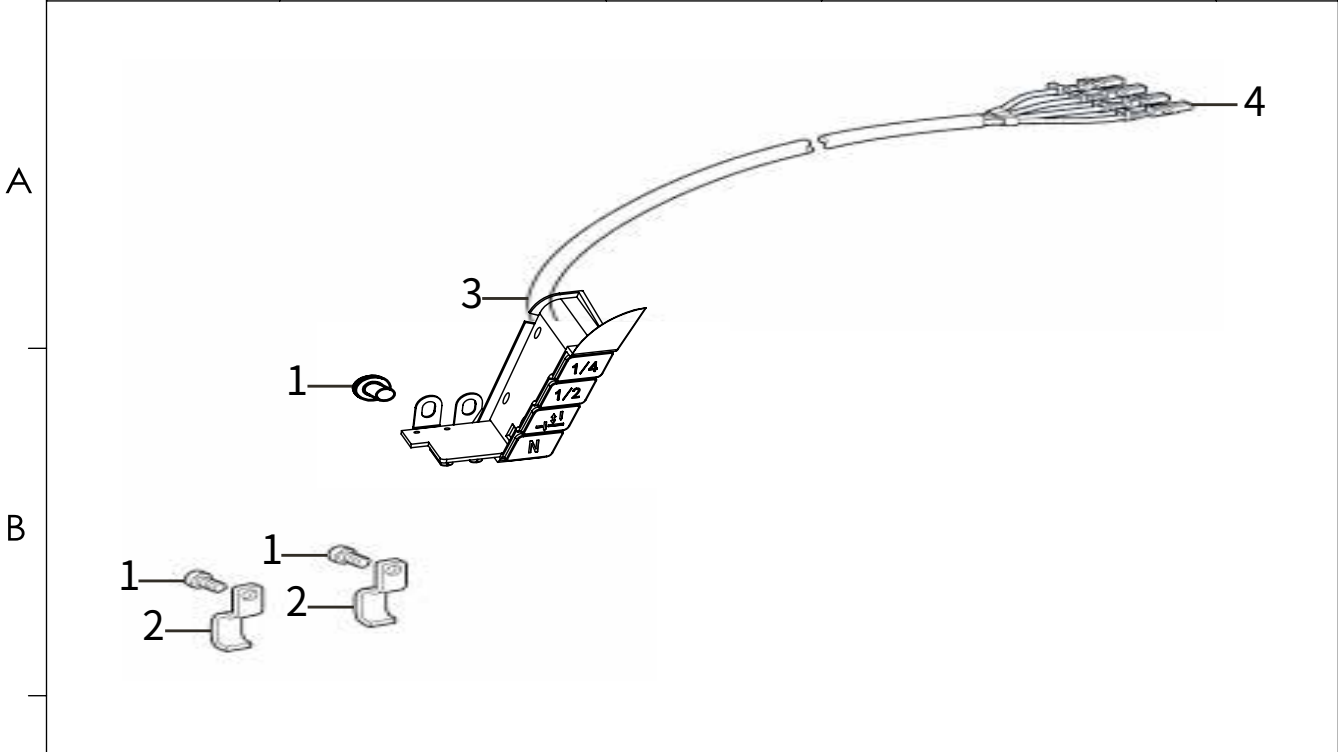
B

C

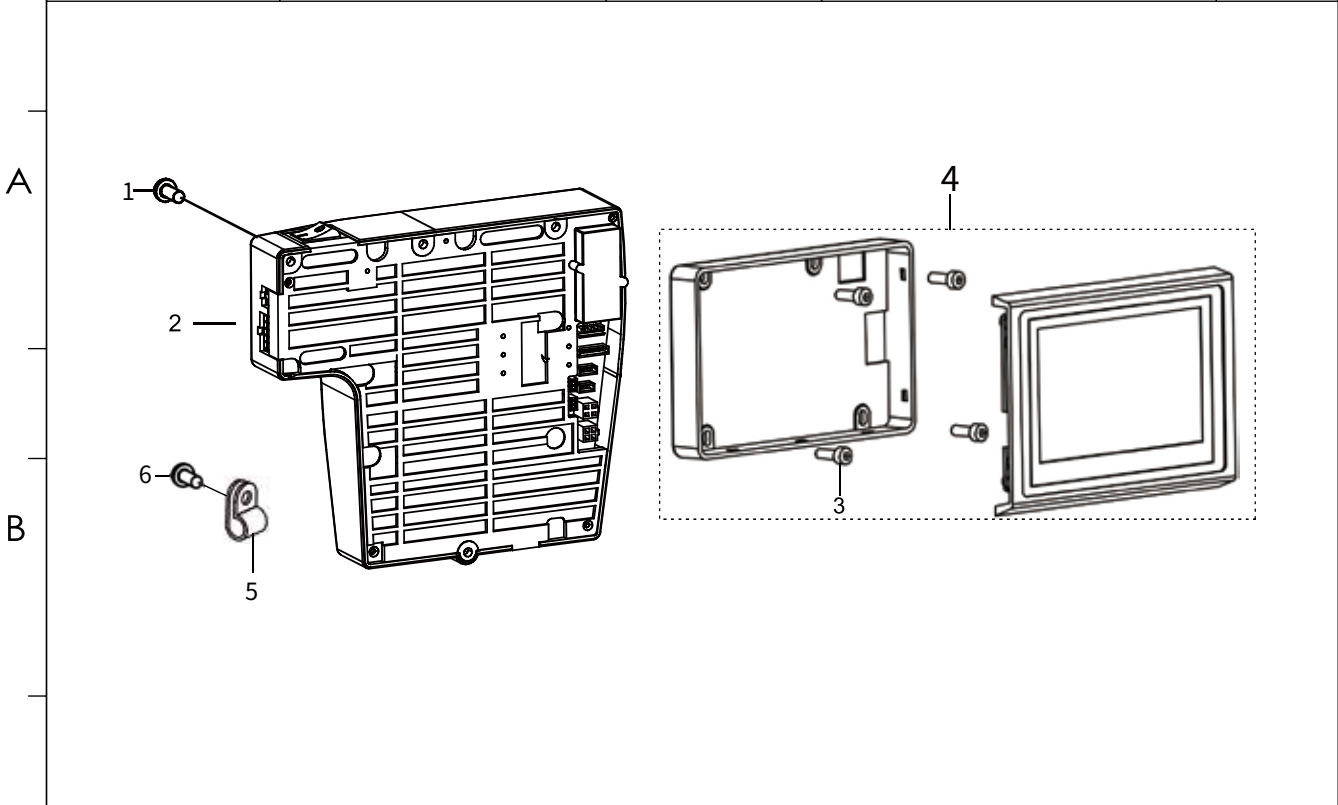
D

E

<b>SIRUBA</b> PARTS LIST	Series	Parts Group	Subclass Remark	Page
	DL7200D-NM1	09		1 / 1
				Date
				2023/02/03



<b>SIRUBA</b> PARTS LIST	Series	Parts Group	Subclass Remark	Page
	DL7200D-NM1	10		1 / 1
				Date
				2023/02/03



1                      2                      3                      4                      5

<b>SIRUBA</b> SEQUENCE LIST	Series	Parts Group	Subclass Remark	Page
	DL7200D-NM1	09		1 / 1
				Date
				2023/02/03

序號	物料號	數量	物料名稱	Decription
1	062500616	4	螺釘 M5×6	SCREW PAN M5×6
2	115140301	2	電線夾 U2	CORD HOLDER U2
3	288ZS09003	1	倒縫燈開關組件	LED REVERSE SEAM LAMP ASM
4	168090401	1	10P插頭	10P PLUG

9

<b>SIRUBA</b> SEQUENCE LIST	Series	Parts Group	Subclass Remark	Page
	DL7200D-NM1	10		1 / 1
				Date
				2023/02/03

序号	物料號	數量	物料名稱	Decription
1	S074762820	3	螺釘 SM4.76X28-20	SCREW SM4.76X28-20
2	288C100 2W	1	電控組件	CONTROL BOX ASSY
3	S073574008	4	螺釘 SM3.57X40-08	SCREW SM4.37X40-6
4	288C10004W	1	控制面板	OPERATION PANEL
5	99100106	1	塑料線夾	CORD HOLDER
6	S074762809	1	螺釘 SM4.76X28-09	SCREW

10

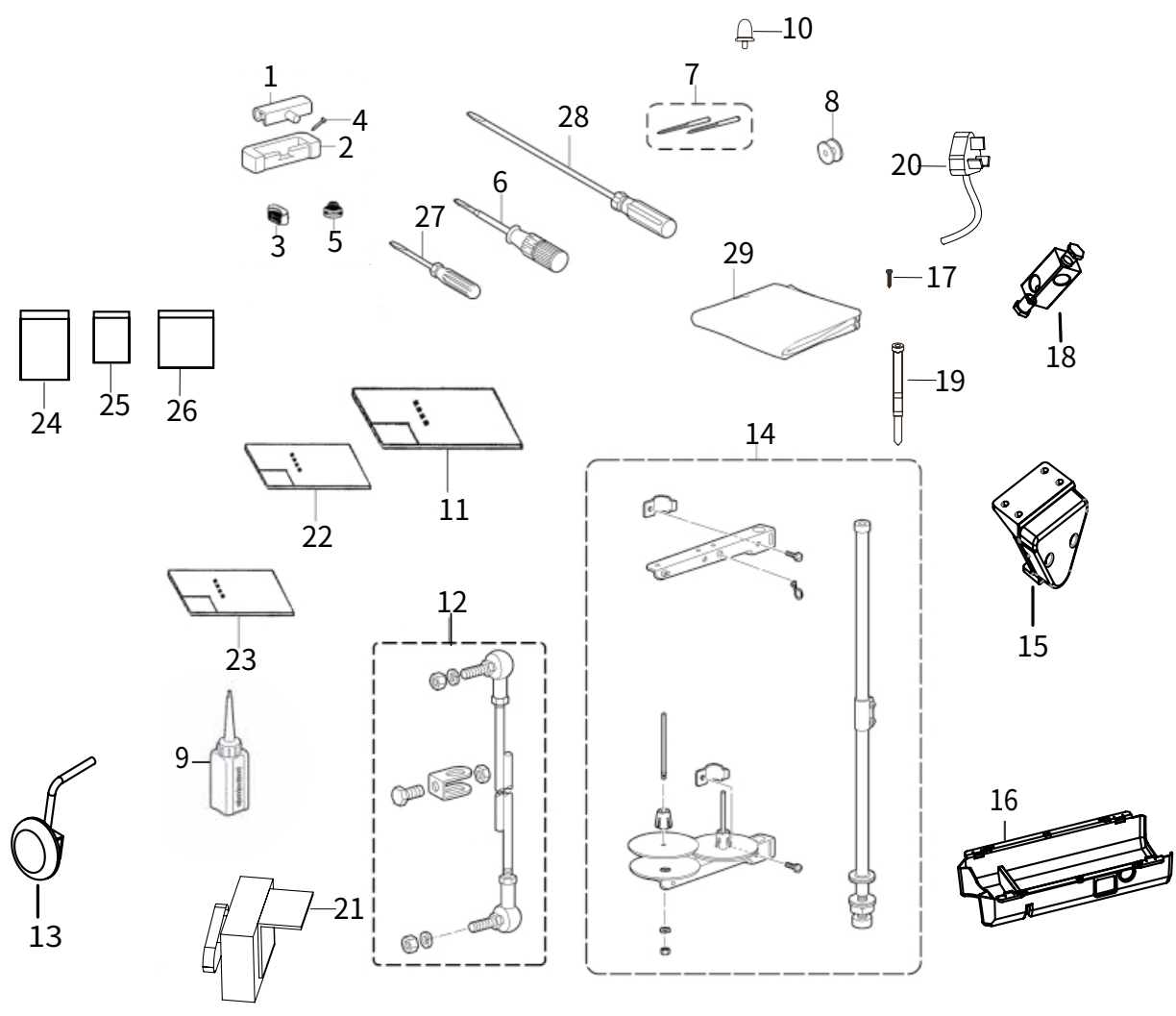
A

B

C

D

E



<b>SIRUBA</b> SEQUENCE LIST	Series	Parts Group	Subclass Remark	Page
	DL7200D-NM1	11		1 / 1
				Date
				2023/02/03

序號	物料號	數量	物料名稱	Description
1	115150401	2	機頭鉸鏈	HEAD HINGE
2	101120501	2	機頭鉸鏈套	HEAD HINGE SLEEVE
3	125120601	2	頭部防震墊	HEAD SHOCK PAD
4	5050111	4	釘	NAIL
5	125120801	2	頭部防震墊	HEAD SHOCK PAD
6	115151701	1	螺絲刀(中)	SCREWDRIVER (MEDIUM)
7	115024112	4	機針DB×1 14	NEEDLE DB×114
8	115151001	3	梭芯	BOBBIN
9	115024113	1	中號油壺	MEDIUM OIL CAN
10	168111401	1	機頭撐杆	HEAD SUPPORT
11	7200D11011	1	零件手冊	PARTS MANUAL
12	115151901	1	連杆組件	CONNECTING ROD ASSEMBLY
13	125104001	1	膝控組件	KNEE CONTROL COMPONENTS
14	115151401	1	線架組件 2DR	WIRE RACK ASSEMBLY 2DR
15	169050101	1	電子膝靠組件	ELECTRONIC KNEE REST
16	125103101	1	油盤	OIL PAN
17	152208101	12	木螺釘ST4.2X25	WOOD SCREW ST4.2X25
18	125104101	1	膝控接頭	KNEE JOINT
19	5040104	3	扎帶	TIE
20	125122801	1	電源線	POWER CABLE
21	115152001	1	調速器	GOVERNOR
22	6050169	1	電控說明書	ELECTRIC CONTROL MANUAL
23	6050101	1	使用說明書	USER'S GUIDE
24	115160601	1	自封袋	ZIPLOCK BAG
25	115160701	1	自封袋	ZIPLOCK BAG
26	115160801	1	自封袋	ZIPLOCK BAG
27	115151601	1	螺絲刀(小)	SCREWDRIVER (SMALL)
28	115151801	1	螺絲刀(大)	SCREWDRIVER (LARGE)
29	6040101	1	機頭罩	HOOD

A

B

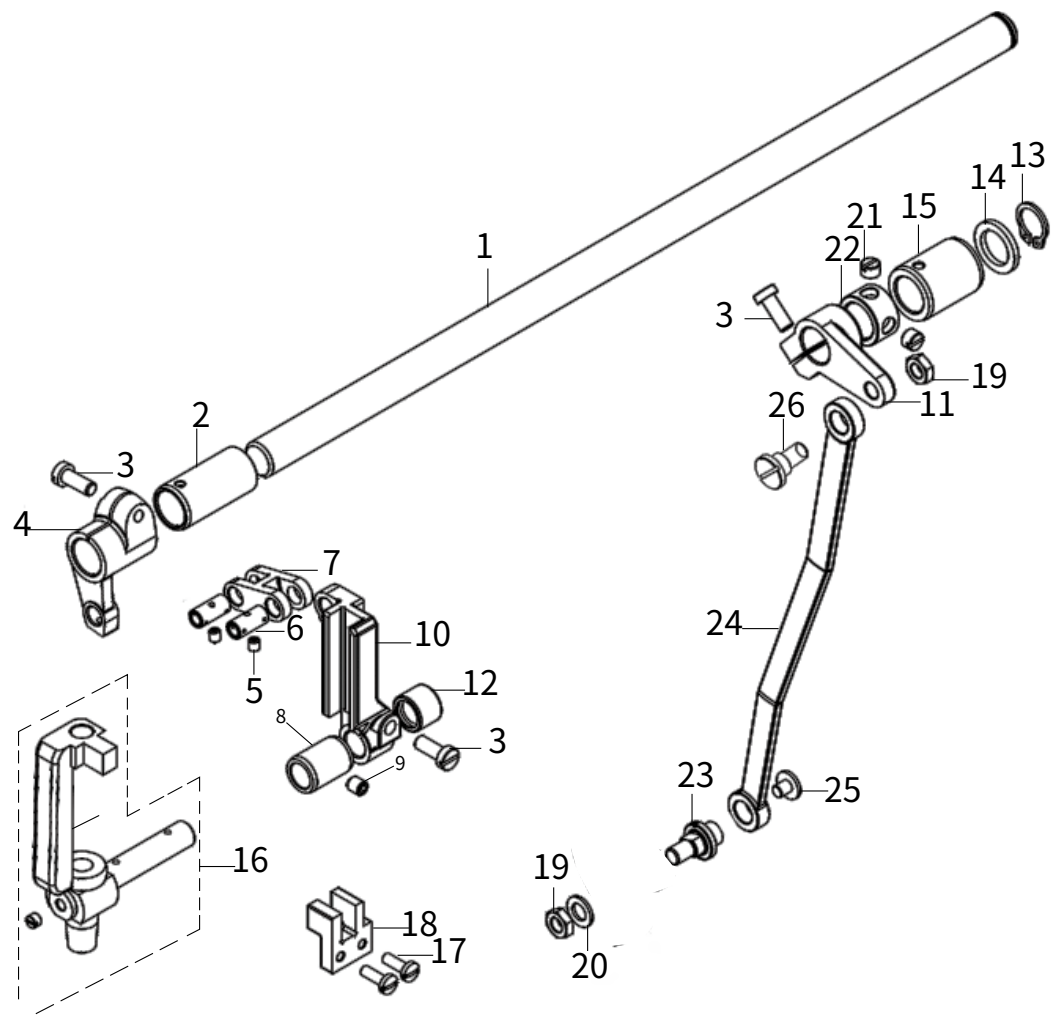
C

D

E

<b>SIRUBA</b> PARTS LIST	Series	Parts Group	Subclass Remark	Page
	DL7200D-NM1	12		1 / 1
				Date
				2023/02/03

A  
B  
C  
D  
E



1 2 3 4 5

<b>SIRUBA</b> SEQUENCE LIST	Series	Parts Group	Subclass Remark	Page
	DL7200D-NM1	12		1 / 1
				Date
				2023/02/03

序號	物料號	數量	物料名稱	Decription
1	152300101	1	針送布襪動軸	NEEDLE FEEDING SWING SHAFT
2	152300401	1	針送布襪動前軸套	NEEDLE FEEDING SWING FRONT BUSHING
3	152300301	3	螺釘SM4.76-28X12	SCREW SM4.76- 28×12
4	152300201	1	針杆襪動曲柄	NEEDLE BAR SWING CRANK
5	152300701	2	螺釘SM3.57-40×4	SCREW SM3.57- 40×4
6	152300501	2	針杆襪動連杆銷	NEEDLE BAR SWING LINK PIN
7	152300601	1	針杆襪動連杆	NEEDLE BAR SWING LINK
8	152302201	2	針杆襪動架軸套	NEEDLE BAR SWING FRAME BUSHING
9	012501032	1	螺釘M5×10	SCREW M5×10
10	152301901	1	針杆導向滑動曲柄組件	NEEDLE BAR GUIDE SLIDING CRANK ASM
11	152302801	1	針送布驅動上曲柄	NEEDLE FEED DRIVE UPPER CRANK
12	167301801	1	外圈滾針軸承BK0910	OUTER RING NEEDLE ROLLER BEARINGS BK0910
13	048120142	1	軸用彈性擋圈12	CIRCLIPF OR SHAFT 12
14	152301101	1	墊圈12.7	WASHER 12.7
15	152301001	1	針送布襪動后軸套	SHAFT SLEEVE AFTER NEEDLE FEEDING SWING
16	152302501	1	針杆襪動架組件	NEEDLE BAR SWING FRAME ASSEMBLY
17	115031001	2	螺釘SM3.57-40X10	SCREW SM3.57- 40X10
18	152302401	1	襪動架導軌	SWING RACK RAIL
19	152203201	2	螺母SM5.95X28	NUT SM 5.95X28
20	152203101	1	墊圈6.35	WASHER 6.35
21	152300901	2	螺釘1/4-40×4.5	SCREW 1/4-40×4.5
22	152300801	1	擋圈12.7	RETAINING RING 12.7
23	152301501	1	針送布驅動連杆接頭	NEEDLE FEED DRIVE LINK CONNECTOR
24	152301301	1	針送布驅動連杆	NEEDLE FEED DRIVE LINK
25	152302701	1	螺釘SM4.37-40×5	SCREW SM4.37- 40×5
26	152301201	1	驅動連杆軸位螺釘	DRIVE CONNECTING ROD SHAFT SCREW
27	152302801	1	針送布驅動雙曲柄	NEEDLE FEED DRIVE DOUBLE CRANK

A

B

C

D

E



高林股份有限公司  
KAULIN MFG. CO., LTD.

由於對產品的改良及更新，本產品零件圖及外觀的修改恕不事先通知！  
The specification and/or appearances of the equipment described in this parts list are  
subject to change because of modification which will without previous notice.  
BYL-13S43.FEB.2023