

# SIRUBA

## GAGE PARTS LIST

Series

Remark

Page

Date

ML8000D

1 / 1

2012/12/06

MODEL	SUB-CLASS	NEEDLE PLATE	FEED DOG	PRESSER FOOT	HOOK ASM	BOBBIN CASE ASM	BOBBIN	NEEDLE
機 型	規 格	針 板	送 具	押 具	梭 頭	梭 殼	梭 子	針 號
ML 8000D-AM1-11 ?	至	E806	D806	P701	G121	G202	G303	DB*1#14
ML 8000D-AM1-13		E806D	D806D					
ML 8000D-AH1-11 ?	厚布料	E711	D711	P711	G125	G202	G303	DB*1#21
ML 8000D-AH1-13		E711D	D711D					
ML 8000D-AH1A-11 ?	至	E711D	D711D	P711D	G125	G202	G303	DB*1#21
ML 8000D-AH1A-13		E711D	D711D					

**SIRUBA**

PARTS LIST

Series

ML8000D

Parts Group

LA

Subclass / Remark

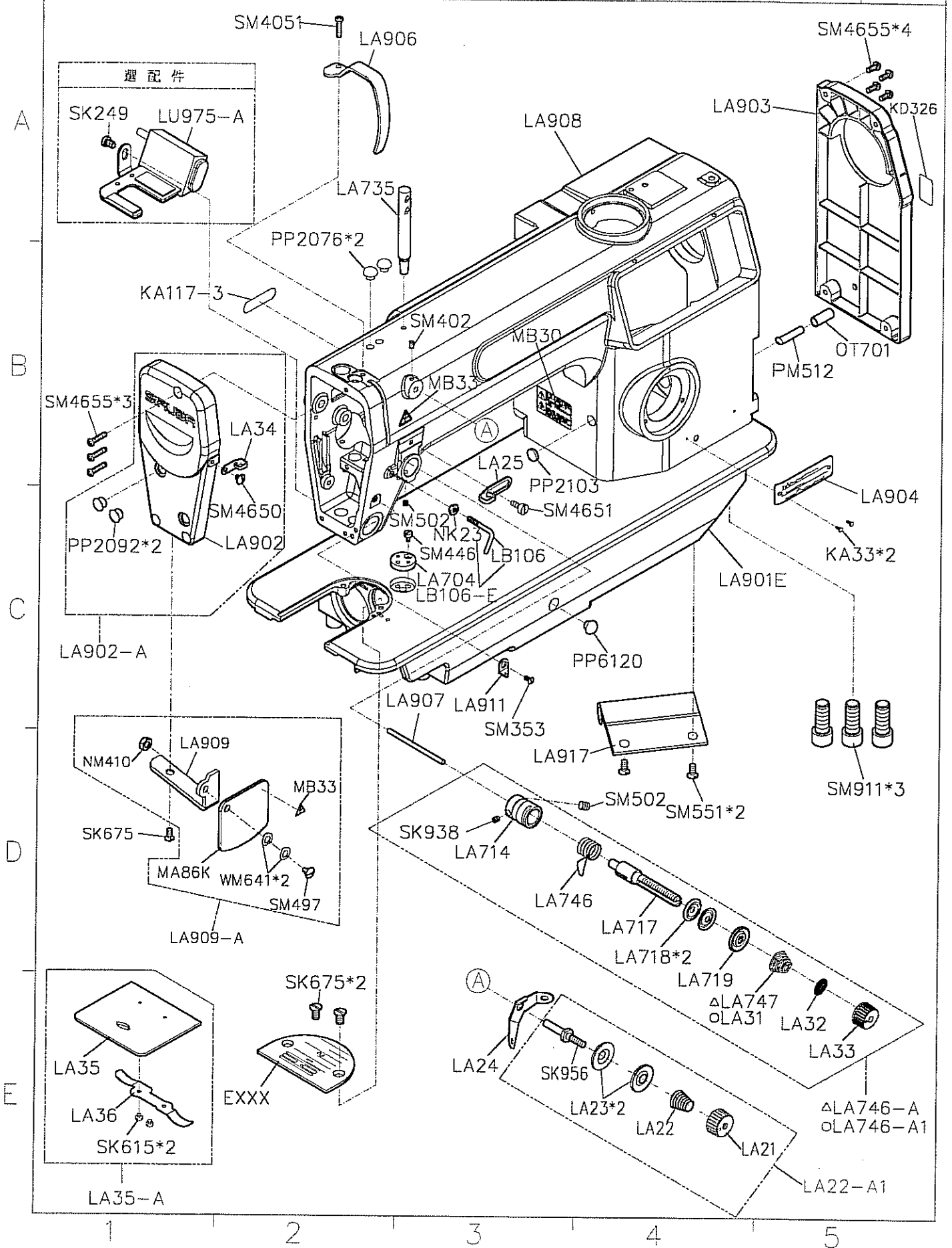
△For Heavy Model 厚料  
(ML8000D-AHX-XX)  
○For Medium Model 中厚  
(ML8000D-AMX-XX)

Page

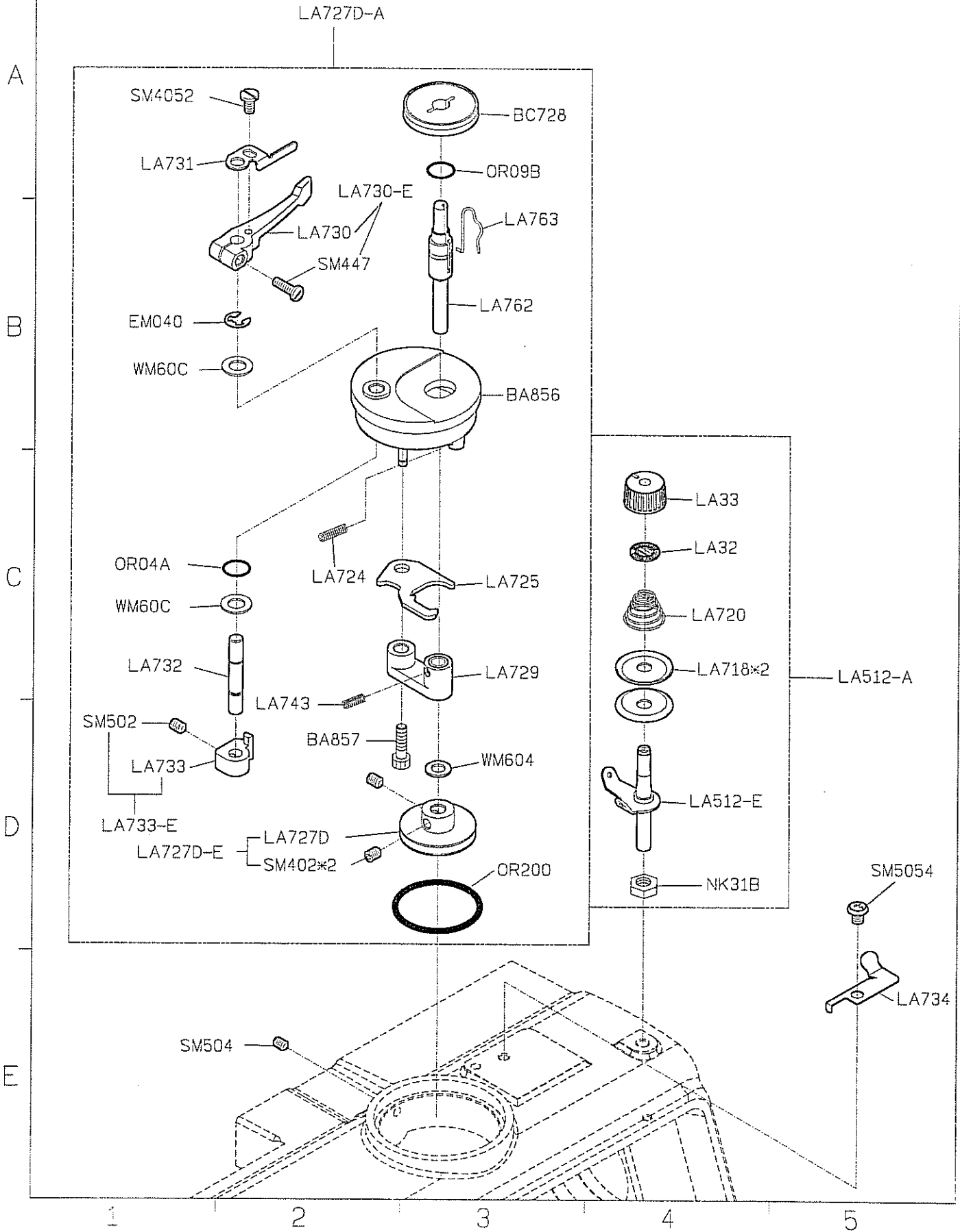
1/2

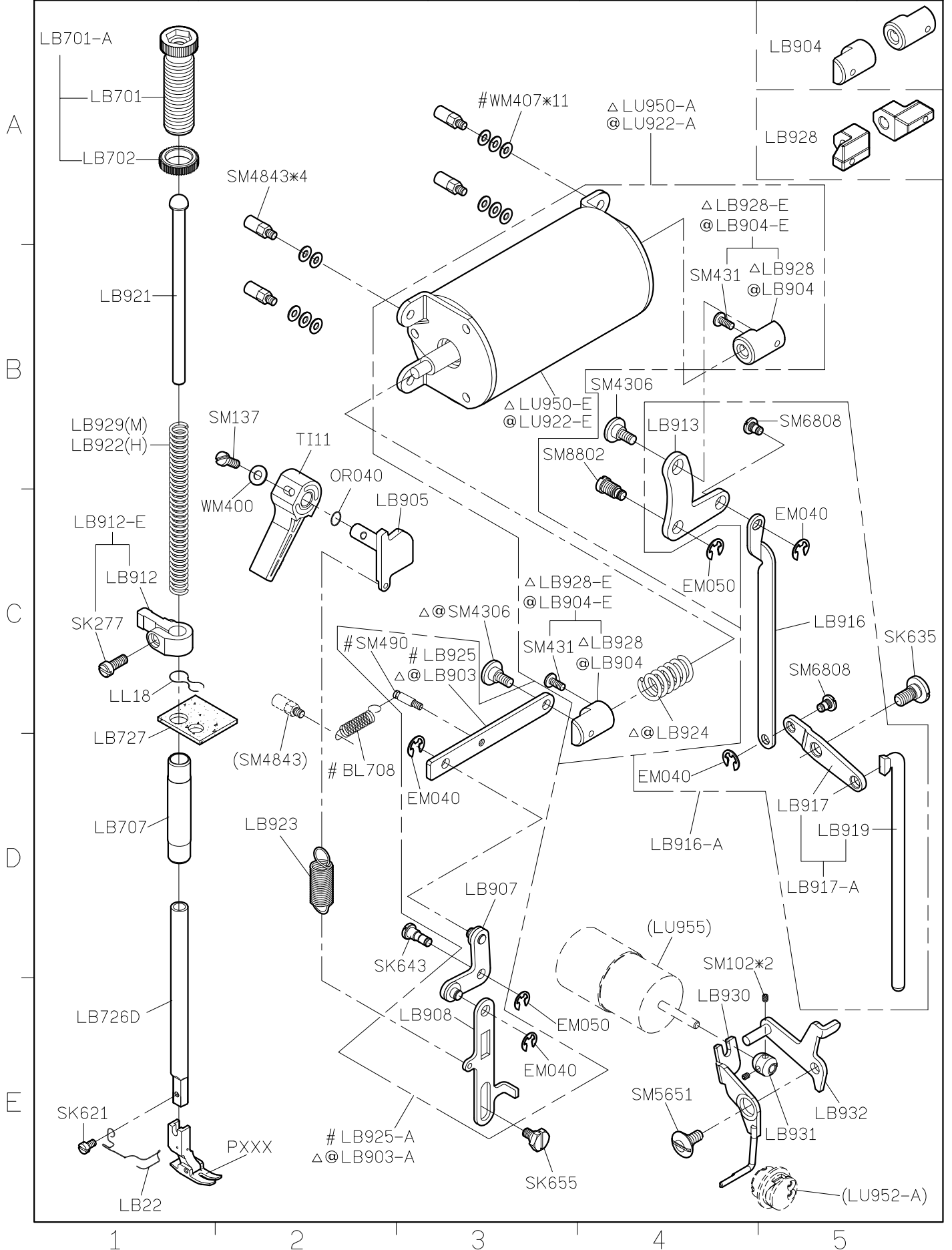
Date

2014/03/26

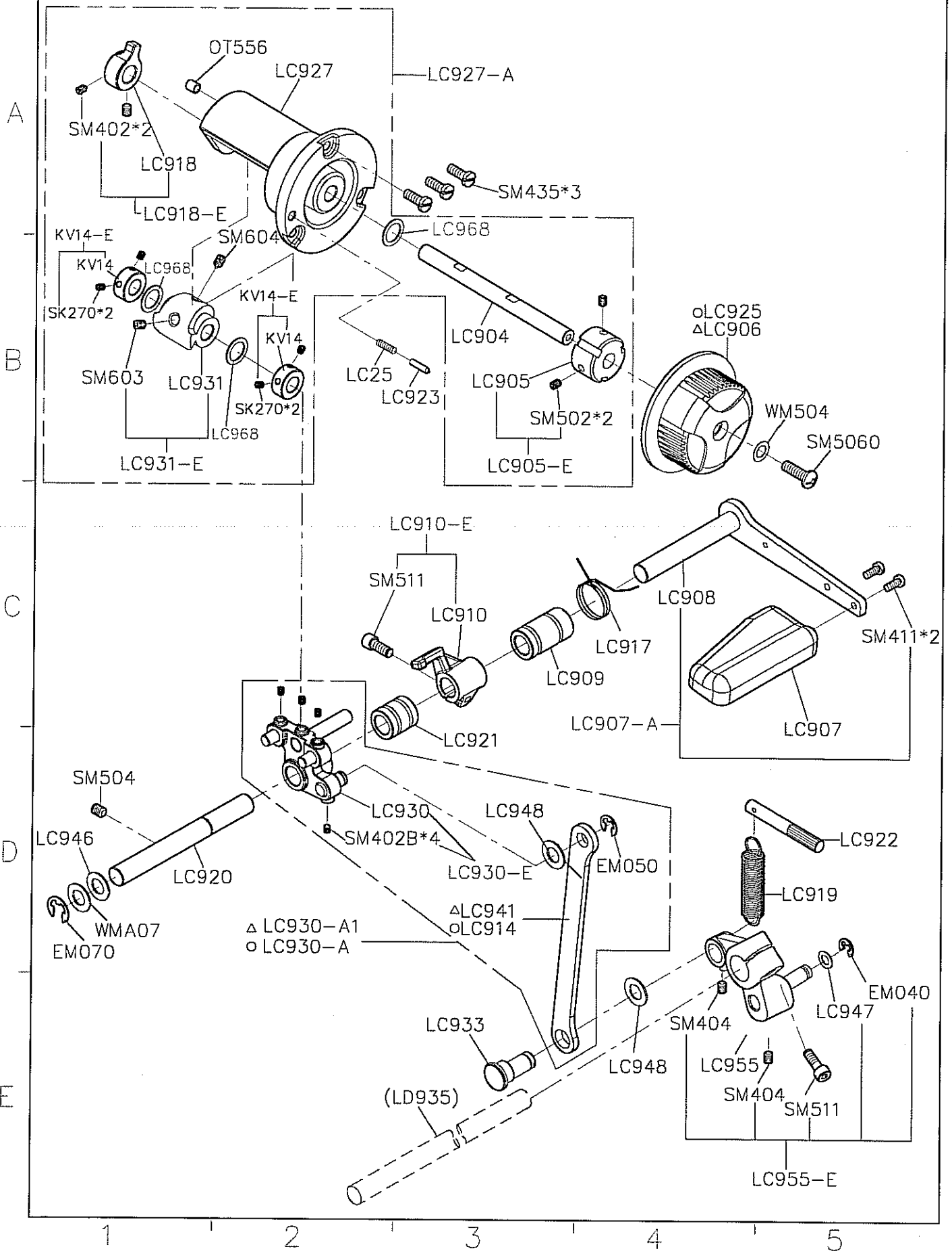


<b>SIRUBA</b> PARTS LIST	Series	Parts Group	Subclass / Remark	Page
	ML8000D	LA		2/2
				Date
				2013/10/23



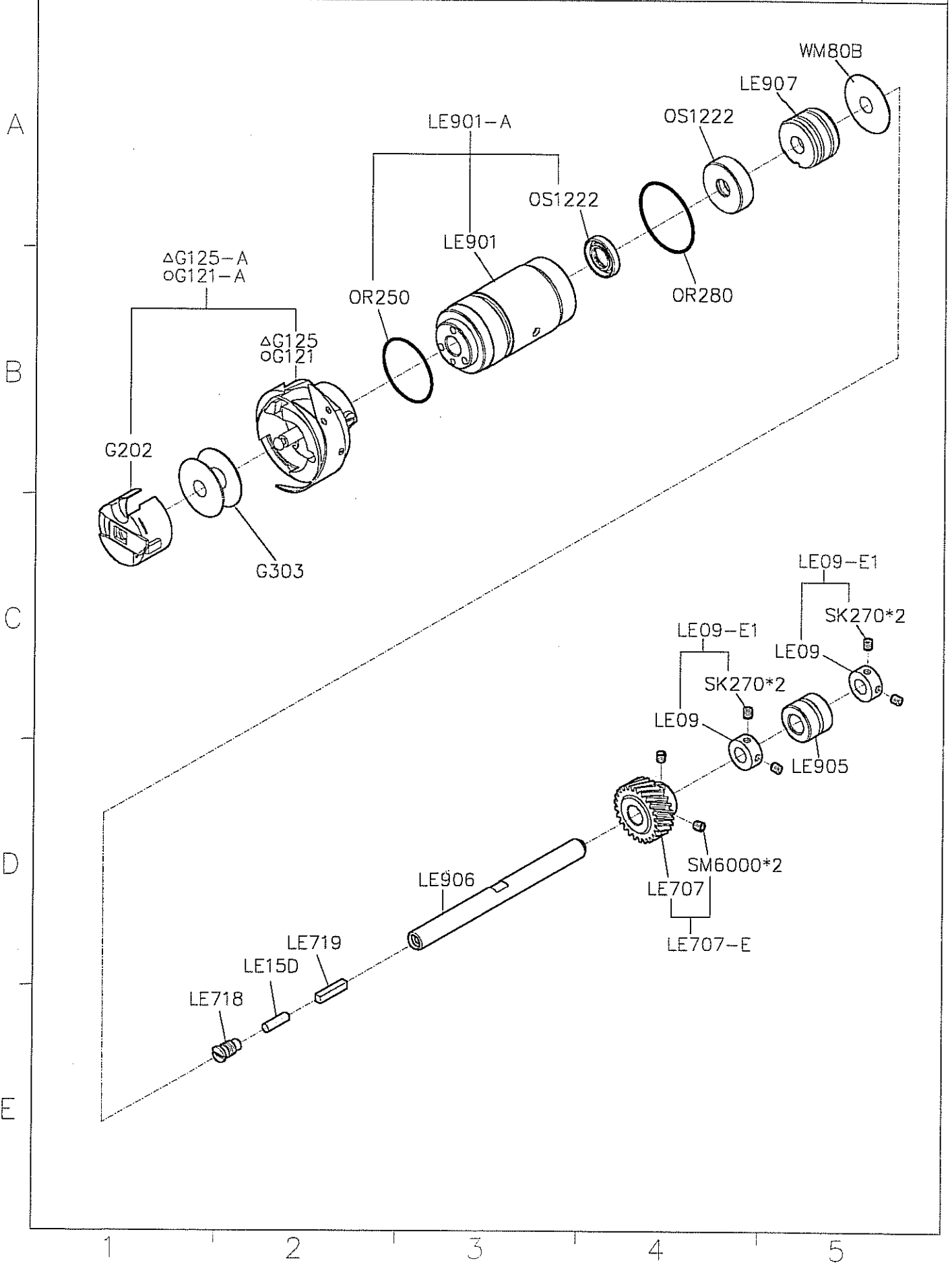


SIRUBA PARTS LIST	Series	Parts Group	Subclass / Remark	Page
	ML8000D	LC	ΔFor Heavy Model 厚料 (ML8000D-AHX-XX) ○For Medium Model 中厚 (ML8000D-AMX-XX)	1/1 Date 2014/03/12

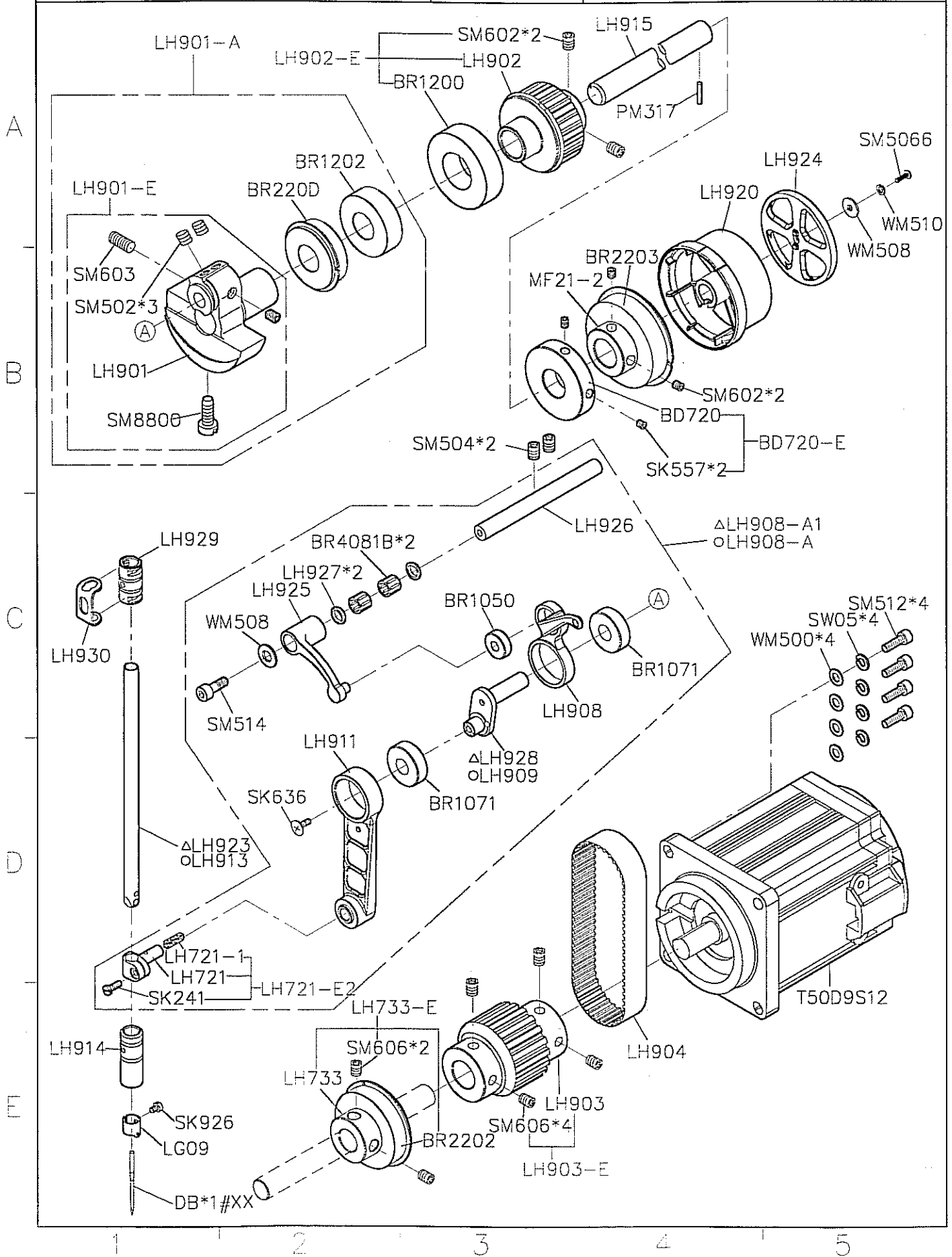




SIRUBA PARTS LIST	Series	Parts Group	Subclass / Remark	Page
	ML8000D	LE	△For Heavy Model 厚料 (ML8000D-AHX-XX) ○For Medium Model 中厚 (ML8000D-AMX-XX)	1/1 Date 2013/07/12



SIRUBA PARTS LIST	Series	Parts Group	Subclass / Remark	Page
	ML8000D	LH	△For Heavy Model 厚形 (ML8000D-AHX-XX) ○For Medium Model 中形 (ML8000D-AMX-XX)	1/1 Date 2013/10/30





**SIRUBA**

PARTS LIST

Series

ML8000D

Parts Group

LL

Subclass / Remark

Page

1/2

Date

2013/12/20

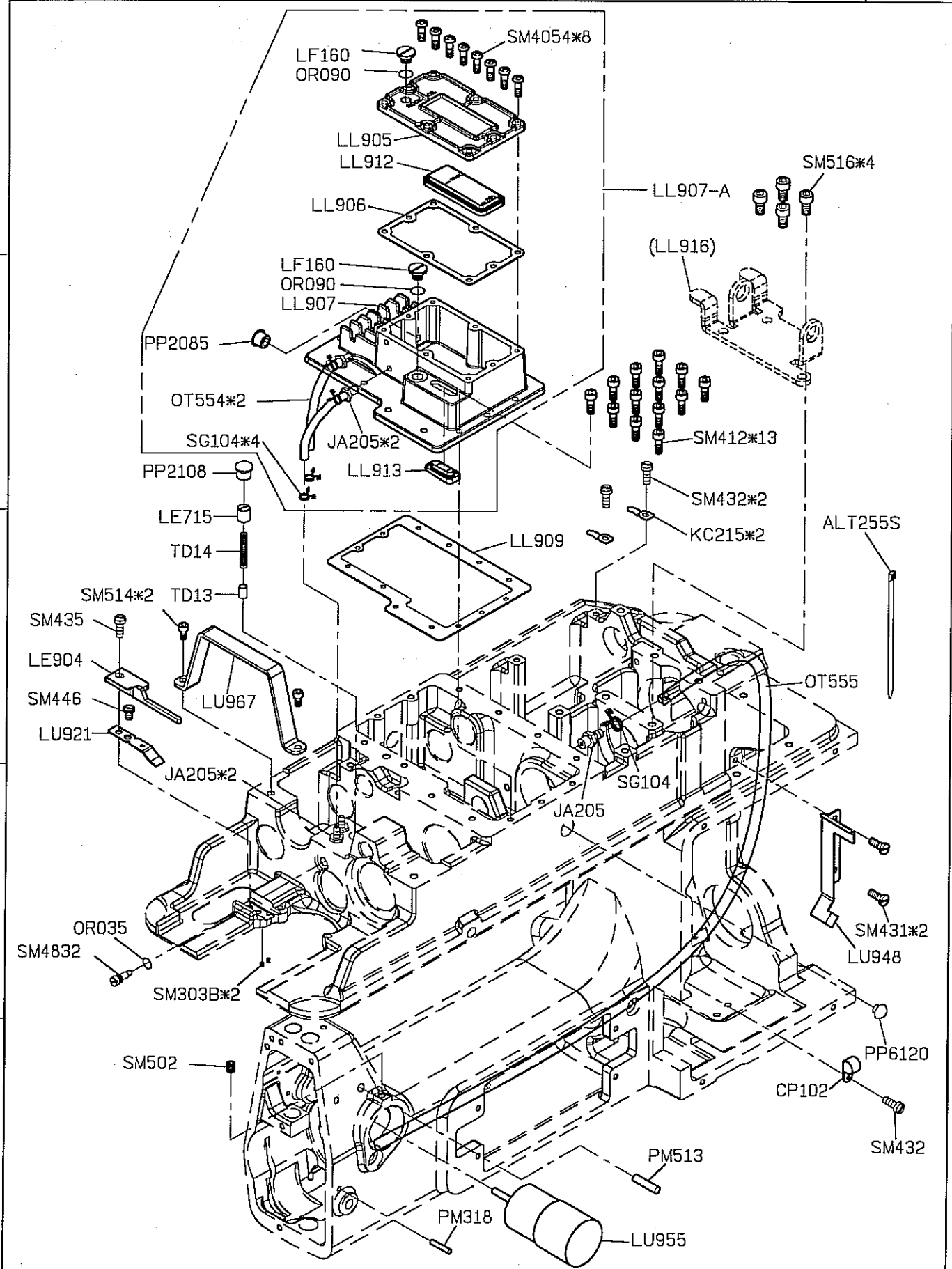
A

B

C

D

E



1

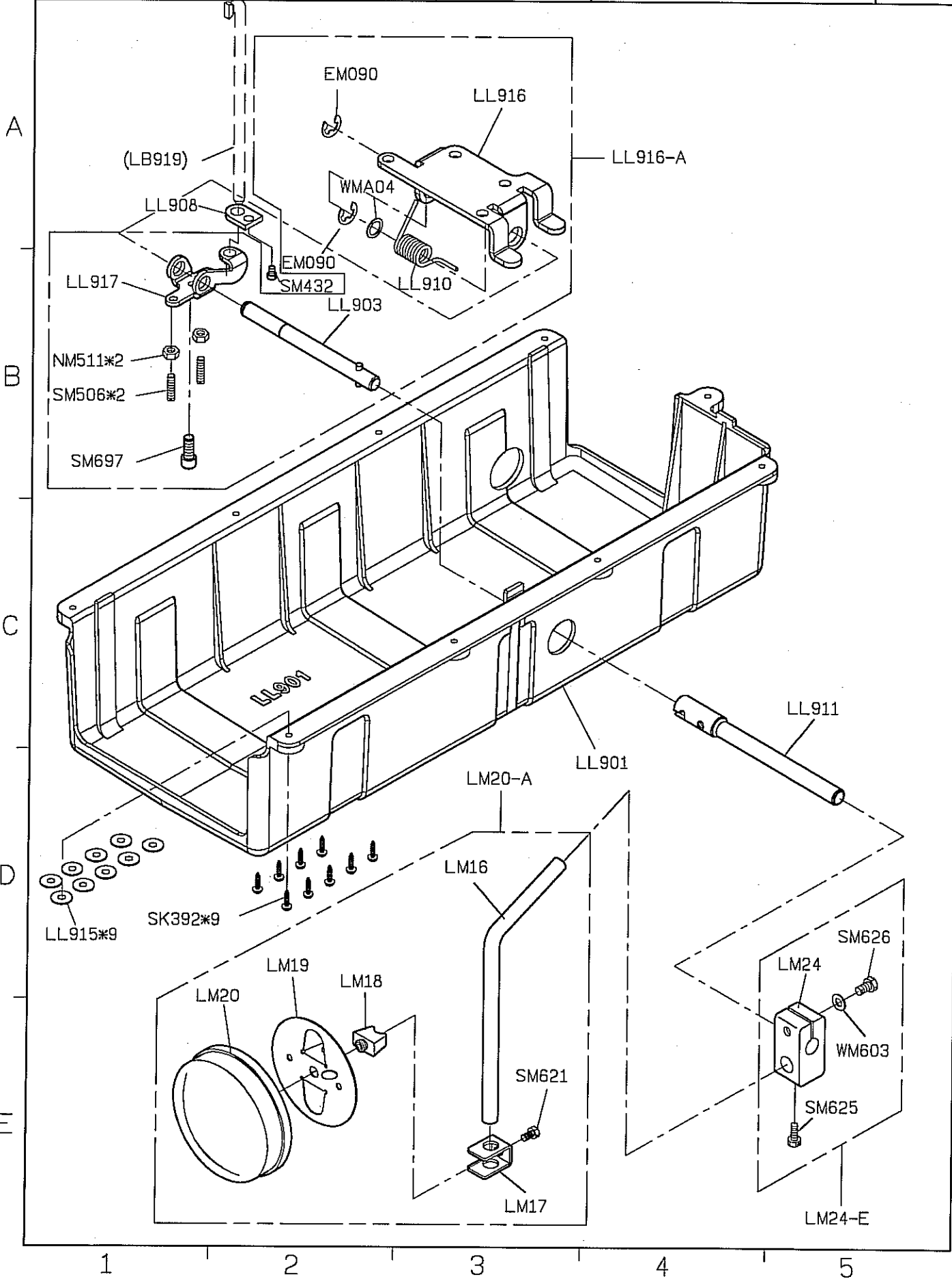
2

3

4

5

<b>SIRUBA</b> PARTS LIST	Series	Parts Group	Subclass / Remark	Page
	ML8000D	LL		2/2
				Date
				2013/12/20



**SIRUBA**

PARTS LIST

-Series

ML8000D

Parts Group

**LU**

-Subclass / Remark

△ For Heavy Model 厚料  
(ML8000D-AHX-XX)  
○ For Medium Model 中厚  
(ML8000D-AMX-XX)

Page

1/2

Date

2013/12/13

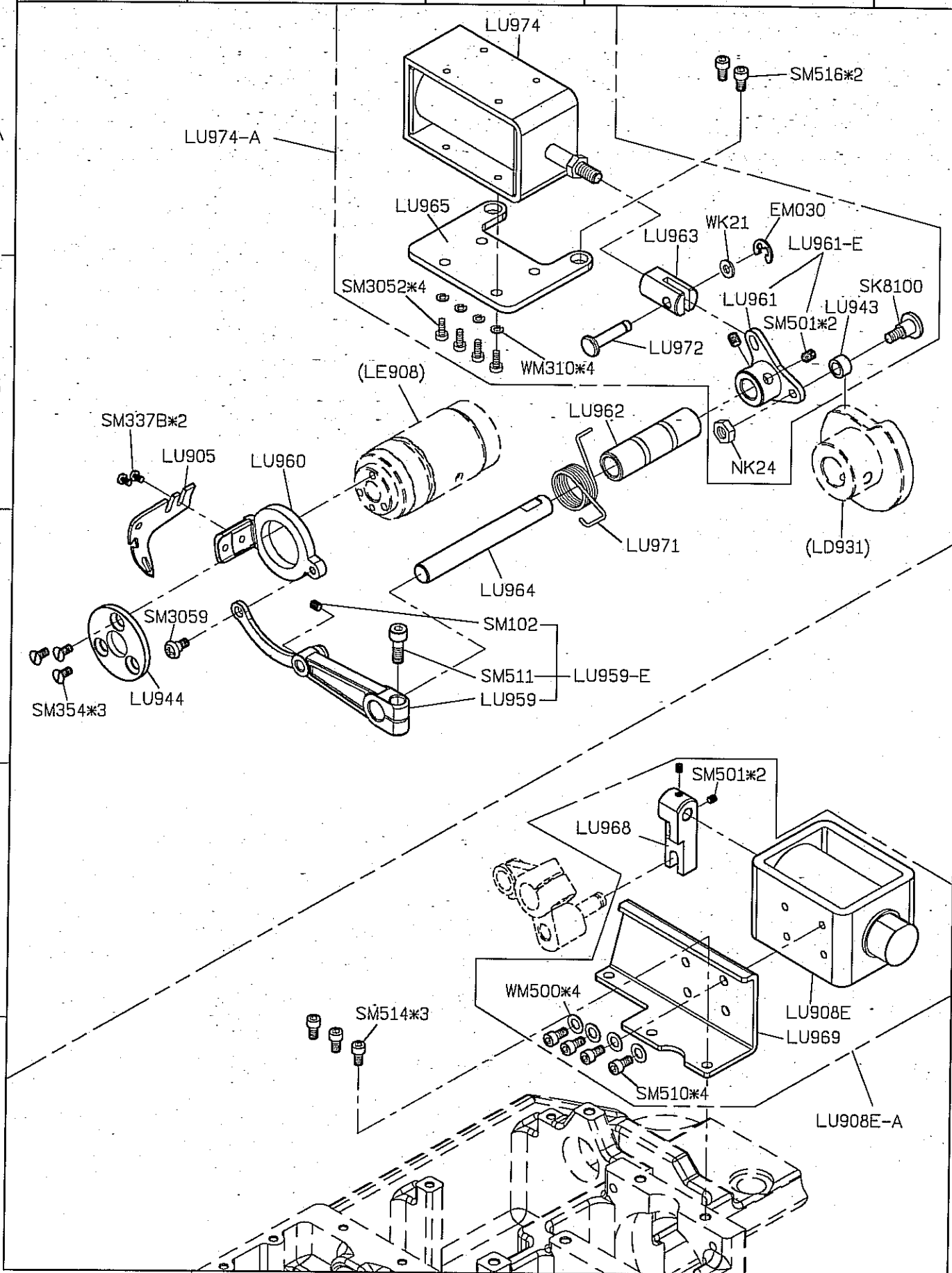
A

B

C

D

E



1

2

3

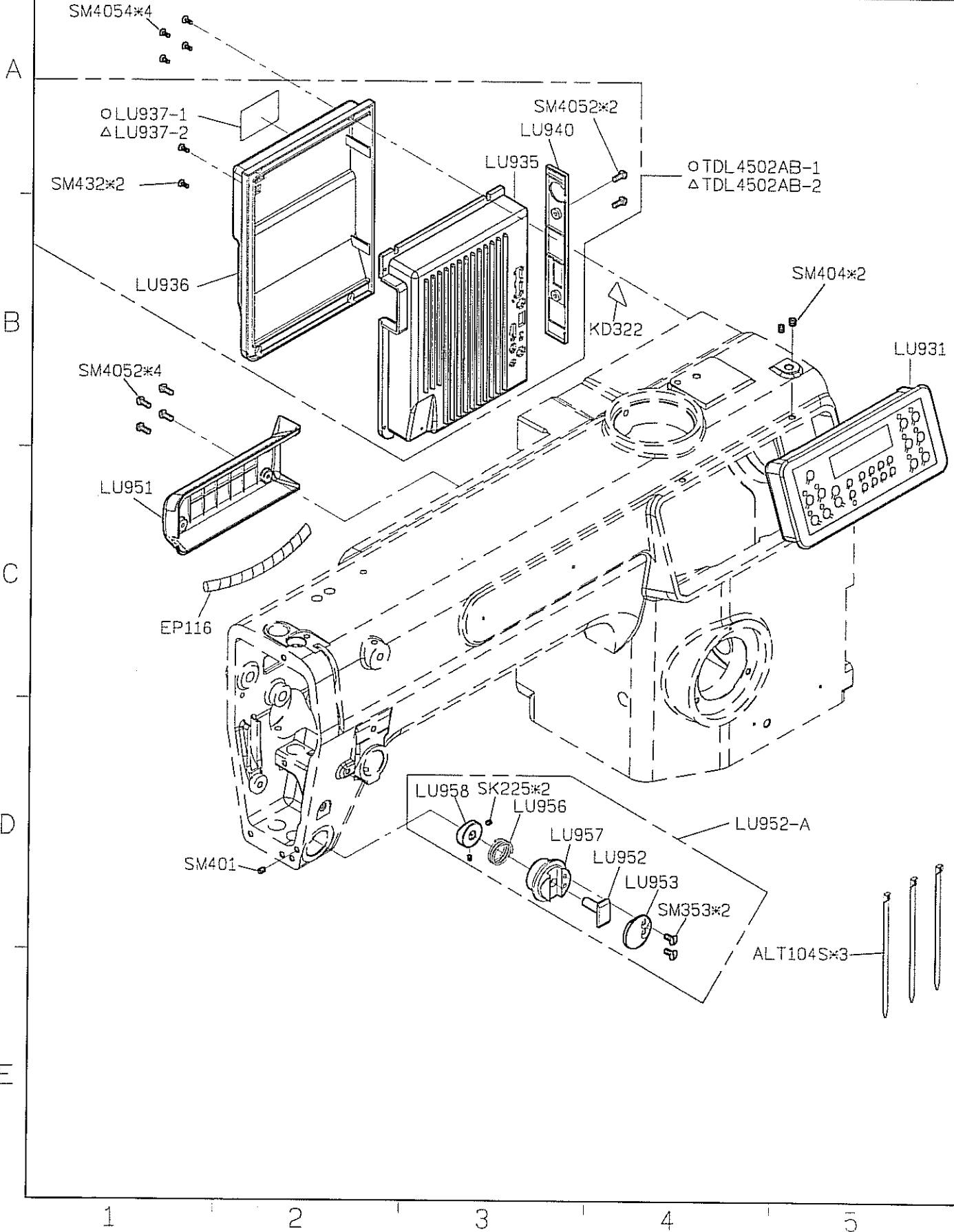
4

5

<b>SIRUBA</b>  PARTS LIST	Series	Parts Group	Subclass / Remark	Page
	ML8000D	LU	△ For Heavy Model 厚料 (ML8000D-AHX-XX)	2/2
			○ For Medium Model 中厚 (ML8000D-AMX-XX)	Date
				2013/07/25

○ TDL4502AB-1 +T50D9S11+CS101-A3+LU931+LU946+BQ27-A1+A:NC08\*2+FU202\*3=  
 △ TDL4502AB-2

○ TDL4502AB-A1  
 △ TDL4502AB-A2



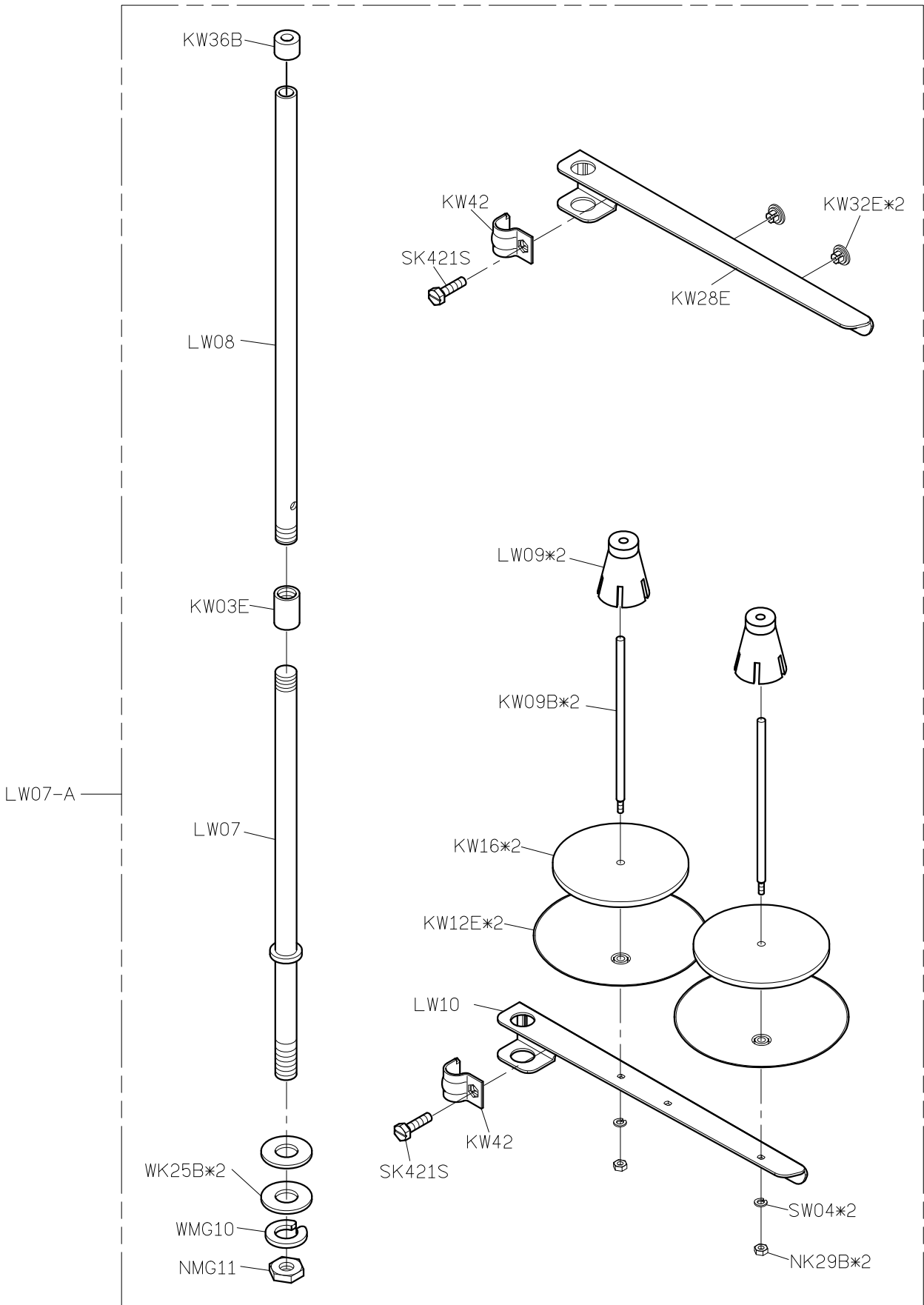
A

B

C

D

E



1

2

3

4

5

SIRUBA PARTS LIST	Series	Parts Group	Subclass / Remark	Page
	ML8000D	LY	△For Heavy Model 厚料 (ML8000D-AHX-XX) ○For Medium Model 中厚 (ML8000D-AMX-XX)	1/1 Date 2013/09/10

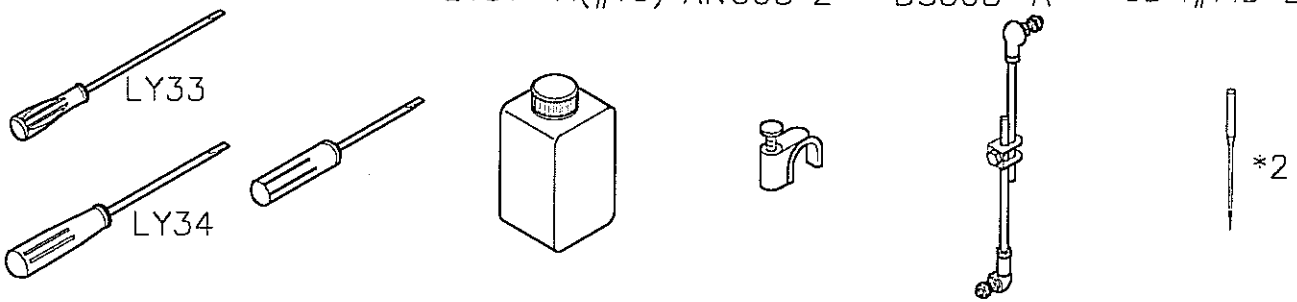
LY901      LY909\*3      LY910\*2      LY911      LY01      LY05

A



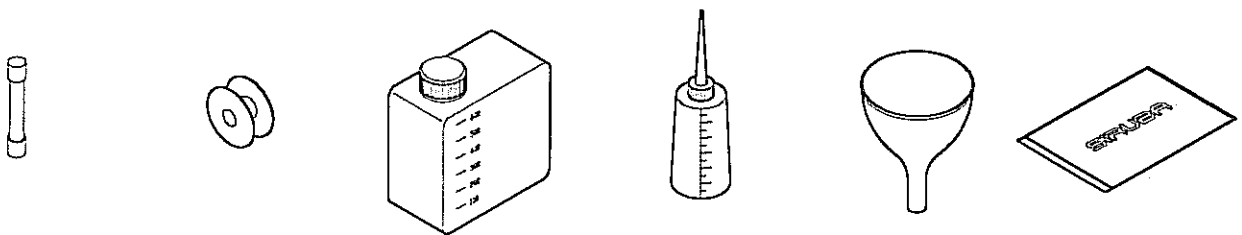
LY33-A      LY35      LY37-A(#10)      ANC08\*2      BS508-A      △DB\*1#21B-E(H)  
 ○DB\*1#14B-E(M)

B



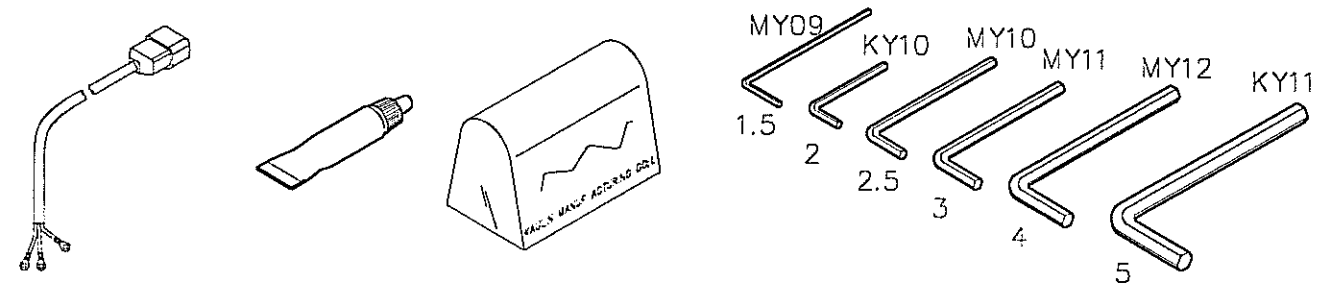
FU202\*3      G303\*2      KY02F-A(#20)      KY03      KY04      KY201

C



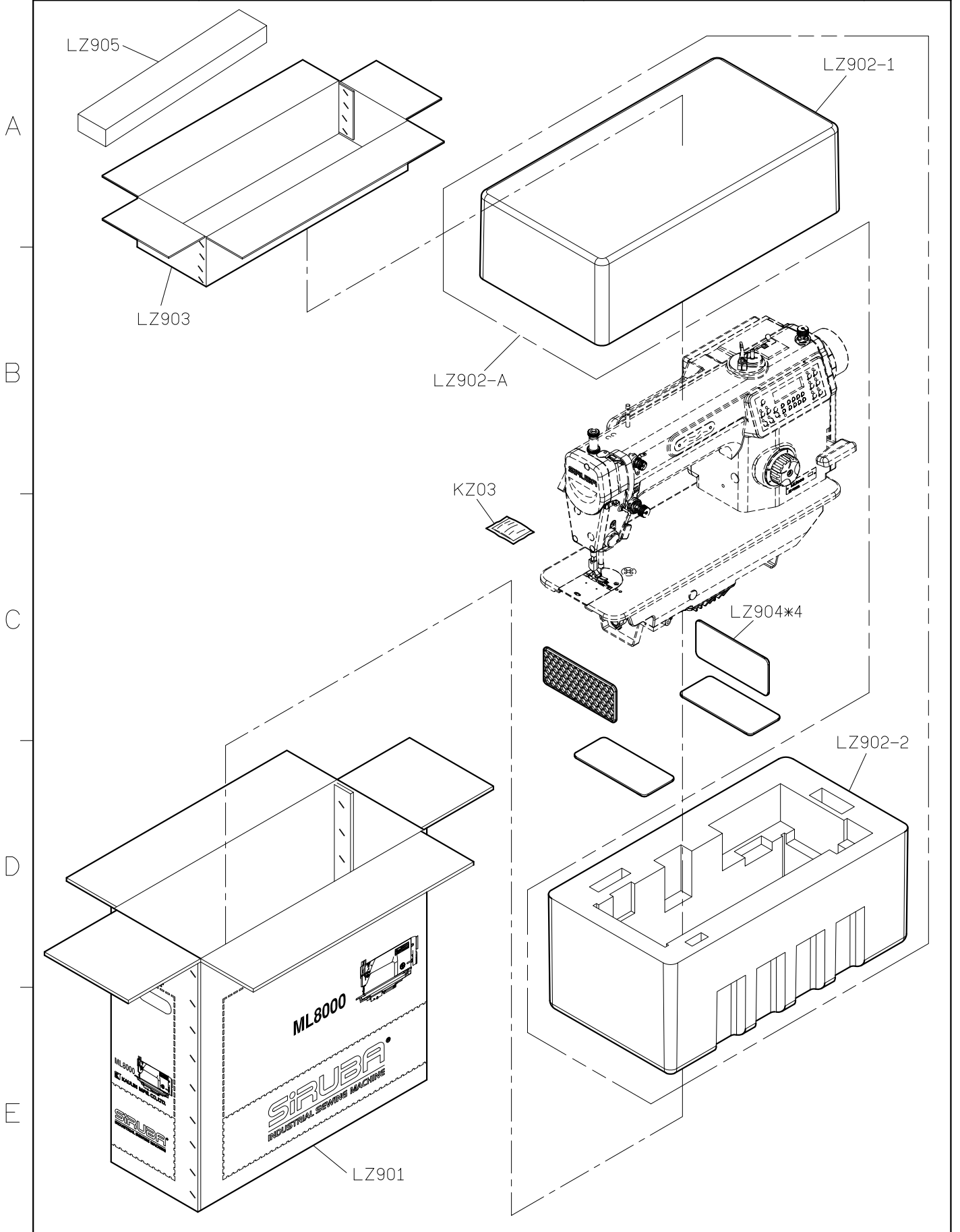
LU946      MHK80      MY01      MY10-A

D



E

<b>SIRUBA</b> PARTS LIST	Series	Parts Group	Subclass / Remark	Page
	ML8000D	LZ		1/1
				Date
				2012/12/04



1 2 3 4 5

SIRUBA PARTS LIST	Series	Parts Group	Subclass / Remark	Page
	ML8000D	CS		1/1
				Date
				2013/08/14

